

HTC

5 mm panel mount fuse holder



Product features

- For 5 mm fuse
- Panel mount fuse holder
- 250 Vac rating and up to 20 A

Agency information



Environmental compliance



Ordering part number

BK1-HTC-30M

Packaging prefix _____

Family name _____

Type _____

Packaging prefix

- BK1- (1000 parts per case pack)
- BK2- (2000 parts per case pack)
- BK8- (800 parts per carton)
- BK14- (1400 parts per carton)

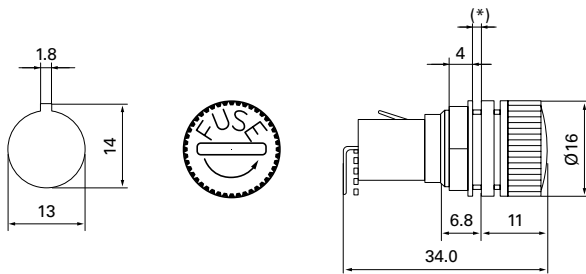
Specifications

Part number	Voltage rating (Vac)	Current rating (A)	Body material	Contact/clip material	Agency
BK1-HTC-30M*	250	20	Thermoplastic, UL 94V-0	Copper alloy Ni+Sn	cURus, CE
BK1-HTC-35M*	250	20	Thermoplastic, UL 94V-0	Copper alloy Ni+Sn	cURus, CE
BK1-HTC-40M*	250	20	Thermoplastic, UL 94V-0	Copper alloy Ni+Sn	cURus, CE
BK1-HTC-55M*	250	20	Thermoplastic, UL 94V-0	Copper alloy Ni+Sn	cURus, CE
BK1-HTC-70M*	250	20	Thermoplastic, UL 94V-0	Copper alloy Ni+Sn	cURus, CE
BK8-HTC-603M	250	10	Bakelite, UL 94V-0, Black	Clip: copper alloy, nickel plated Terminals: copper alloy, nickel plated Spring: steel	CE
BK2-HTC-609M	250	10	Body: Bakelite, UL 94V-0, Black Cover: PBT, UL 94V-0 Black	Clip: copper alloy, nickel plated Shrapnel: copper alloy Terminals: brass, tin plated Spring: steel	cURus, CE
BK14-HTC-613M	250	10	Bakelite, UL 94V-0, Black	Clip: copper alloy, nickel plated Terminals: brass, nickel plated Spring: steel	cURus, CE
BK2-HTC-623M	250	10	Bakelite, UL 94V-0 Black	Terminals: brass, nickel plated Spring: steel	cURus, CE
BK2-HTC-607M	250	10	Nylon PA-66, UL 94V-2	Clip: copper alloy, nickel plated Terminals: brass, tin plated Spring: steel	CE-

*Degree of protection: IP40

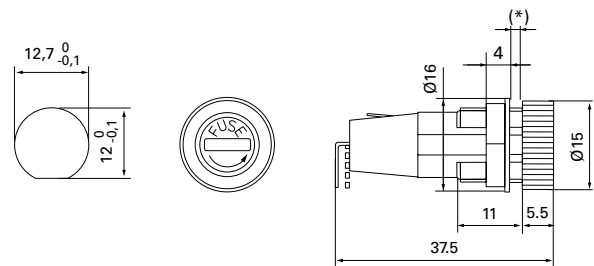
Dimensions- mm

HTC-30M



(*) 0.8 to 2.8

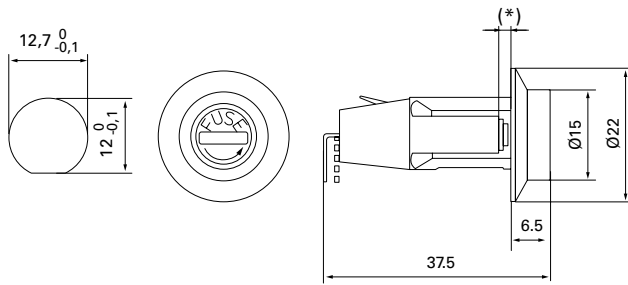
HTC-35M



(*) 0.8 to 6.5

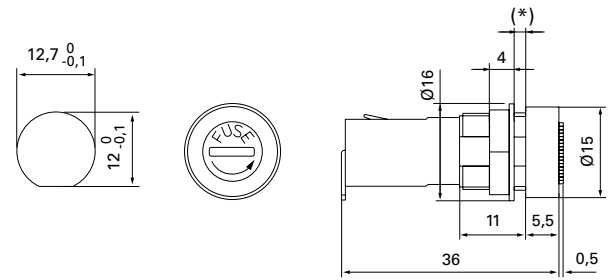
Dimensions- mm

HTC-40M



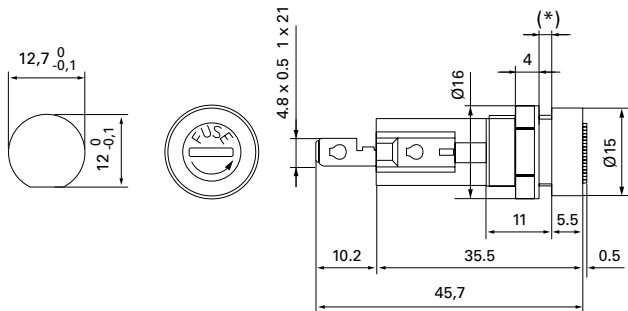
(*) 0.8 to 2.5

HTC-55M



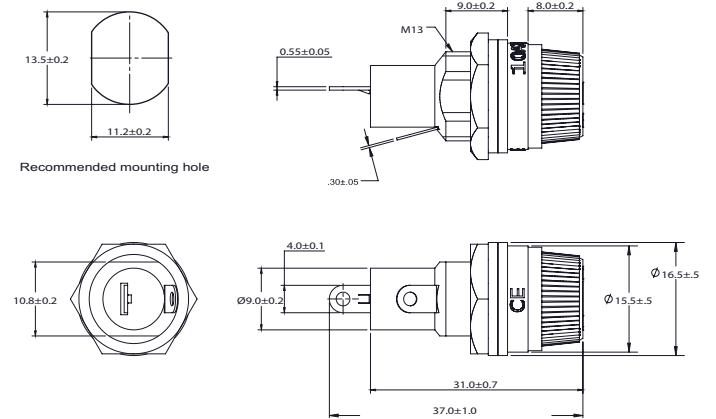
(*) 0.8 to 6.5

HTC-70M



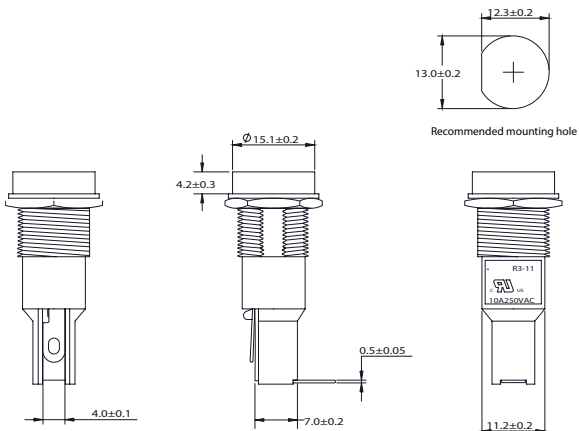
(*) 0.8 to 6.5

HTC-603M



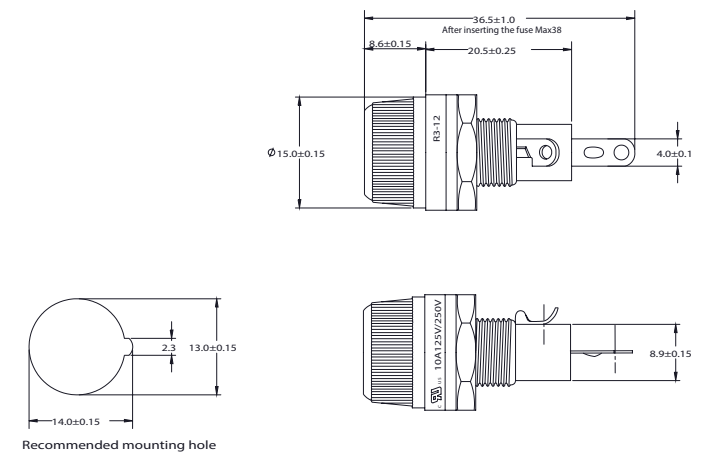
Recommended mounting hole

HTC-609M



Recommended mounting hole

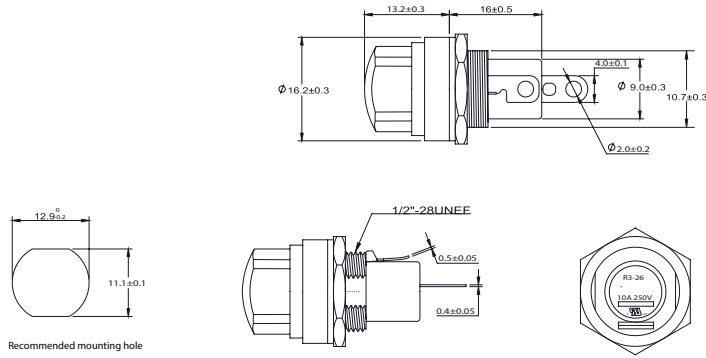
HTC-613M



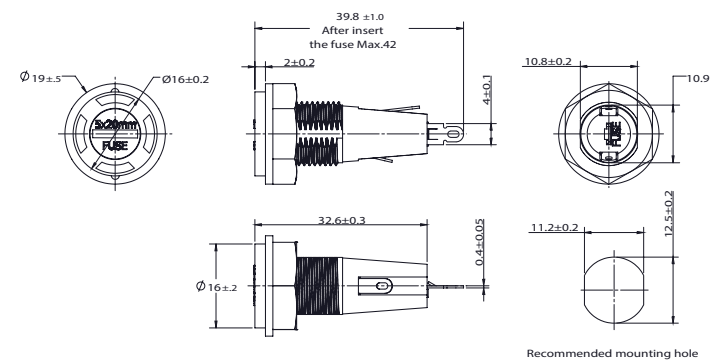
Recommended mounting hole

Dimensions- mm

HTC-623M



HTC-607M



Life Support Policy: Eaton does not authorize the use of any of its products for use in life support devices or systems without the express written approval of an officer of the Company. Life support systems are devices which support or sustain life, and whose failure to perform, when properly used in accordance with instructions for use provided in the labeling, can be reasonably expected to result in significant injury to the user.

Eaton reserves the right, without notice, to change design or construction of any products and to discontinue or limit distribution of any products. Eaton also reserves the right to change or update, without notice, any technical information contained in this bulletin.

Eaton
Electronics Division
1000 Eaton Boulevard
Cleveland, OH 44122
United States
Eaton.com/electronics

© 2021 Eaton
All Rights Reserved
Printed in USA
Publication No. ELX1019 BU-ELX21020
February 2021

Eaton is a registered trademark.

All other trademarks are property of their respective owners.

Follow us on social media to get the latest product and support information.

