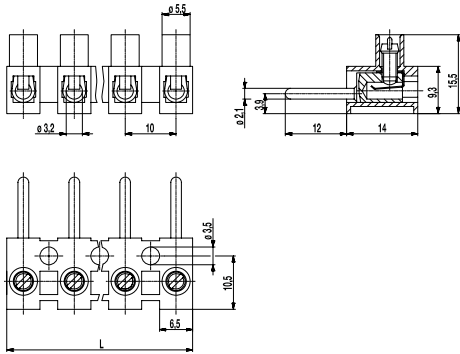
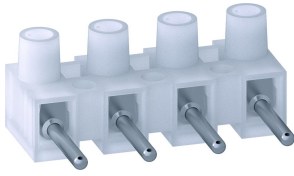


## 322-SVW(-DS)

Plug-in terminal strip

Screw connection & pin, plug-in direction vertical, long pin



The plug-in terminal strip 322-SVW is available in 10 mm pitch with 2 to 12 poles. It has one screw connection per pole and one vertical pin for the connection to the socket of the female counterpart.

In combination with the 322-FBG plug-in terminal strip, this connector is particularly well suited for PCBs. The plug-in direction to the PCB is horizontal.

When used in combination with a type 323-FBW plug-in terminal strip, the contact pressure is applied by a stainless-steel spring thus providing excellent electrical contact. Due to the guided plug insertion from top, this angular plug-in connector combination is well suited for challenging mounting conditions.

The through-wiring for this angular plug-in connector with plug-in terminal strip 323-PHF BW is achieved by means of screw connections. The individual consumer is wired at the plug connection.

The wire protector of the "DS"-version reliably prevents damage to multi-wire flexible conductors by the turning screw.

These terminals strips can be screw-mounted on a substrate.

### General Information

Pitch	10 mm
No. of poles	2 - 12
Usable with	322-FBG(-DS), 323-FBW(-DS), 323-PHF BW(-DS)
Areas of application	Applications that require to easily open and close not energised circuits.



### Technical Data

Clamping Range	<i>solid / flexible / AWG</i>		
	<i>without wire protector</i>	0,5 - 4 mm <sup>2</sup> / 0,5 - 2,5 mm <sup>2</sup> / 20 - 12 AWG	
	<i>with wire protector</i>	0,34 - 2,5 mm <sup>2</sup> / 0,34 - 2,5 mm <sup>2</sup> / 22 - 14 AWG	
Rated Cross Section	2,5 mm <sup>2</sup>		
Wire Stripping Length	7 mm ± 0,5 mm		
Overvoltage Category	III	III	II
Pollution Severity Level	3	2	2
Rated Voltage	400 V (160 V)	630 V (160 V)	1000 V (320V)
Rated Impulse Voltage	6 kV (2,5kV)	6 kV (2,5 kV)	6 kV (2,5 kV)
Rated Insulation Voltage	450 V acc. to EN 60998-1		
Rated Current	15 A		
Torque	0,5 Nm		
Other specifications	Rated values apply to use in combination with 323-FBW(-DS) and insulated substrates. Values in parentheses apply to use without insulated substrates.		

### Material

Moulding	PA, natural, V-2
Comparative Tracking Index	CTI ≥ 600
Insulating Group	I
Temperature Range	-40°C up to 100°C
Screw	M3; zinc plated steel, blue passivated
Wire protector	Tin plated tin bronze
Plug	Tin plated brass

### Approvals

	Current [A]	Voltage [V]	Group	AWG	[Nm]
	20	300	B	18 - 12	0,51
	15	300	B	26-10 [1]	0,51
	10	300	D,E	26-10 [1]	0,51

[1] for 322-SVW-DS: 26 - 12 AWG

### Options / Accessories

- Marking options on the screw guides
- Leading plug for the protective conductor pole
- Moulding made of special polyamide for e.g. household appliances

### Part Numbers

No. of poles	322-SVW	322-SVW-DS	Length	PU
2	60.821.012	24.821.012	18,00	2000
3	61.821.012	25.821.012	28,00	1000
4	62.821.012	26.821.012	38,00	800
5	63.821.012	27.821.012	48,00	100
6	64.821.012	28.821.012	58,00	100
7	65.821.012	29.821.012	68,00	70
8	66.821.012	30.821.012	78,00	70
9	67.821.012	31.821.012	88,00	60
10	68.821.012	32.821.012	98,00	50
11	69.821.012	33.821.012	108,00	50
12	70.821.012	34.821.012	117,00	50