

REVISIONS

P	LTR	DESCRIPTION	DATE	DWN	APVD
	A	RELEASE	23MAY2018	H.T	H.T
	A2	MODIFY REEL PITCH	22OCT2018	H.T	H.T
	A3	ASSIGN SPECIFICATION NUMBER	09NOV2018	H.T	H.T

1. TECHNICAL PARAMETERS

FREQUENCY RANGE : 0~6GHz  
 NOMINAL CHARACTERISTIC IMPEDANCE : 50Ω  
 INSULATION RESISTANCE : 500MΩMIN  
 INITIAL CONTACT RESISTANCE  
 20mΩMAX(INNER CONTACT) / 20mΩMAX(OUTER CONTACT)  
 WITH STANDING VOLTAGE : 200V AC 1min  
 OPERATING TEMPERATURE : -40°C ~ +85°C

2. ELECTRICAL PERFORMANCE

VSWR : 1.3MAX (RANGE : 0~6GHz)

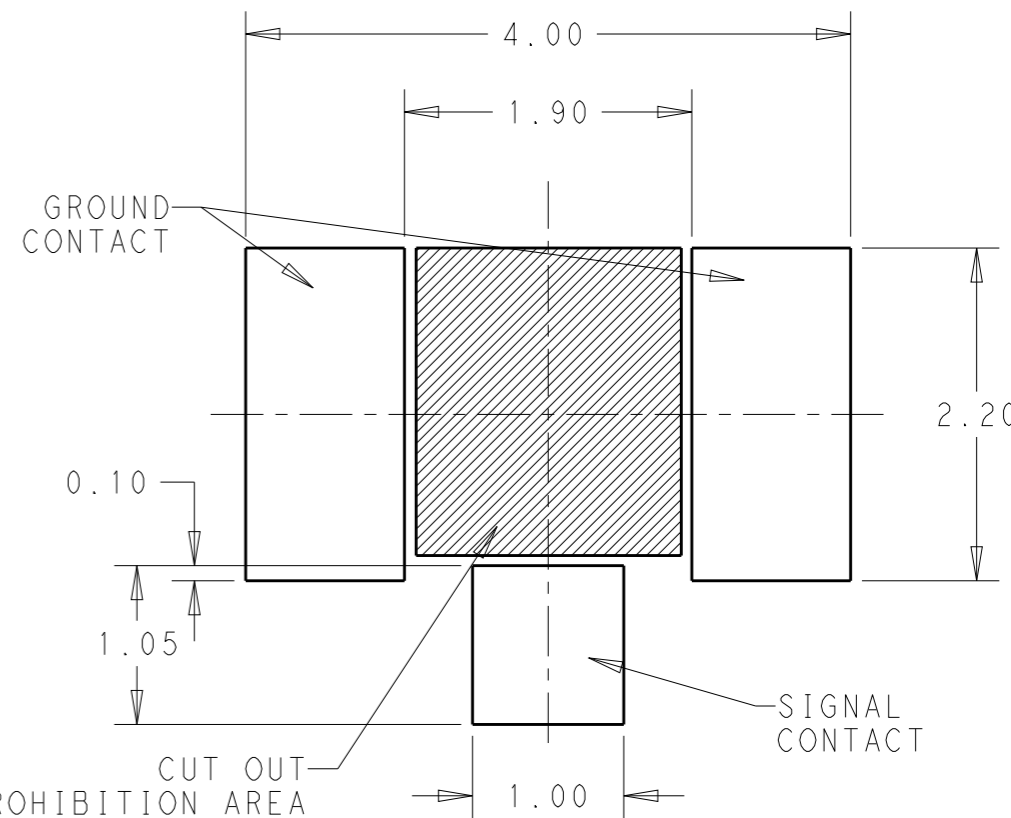
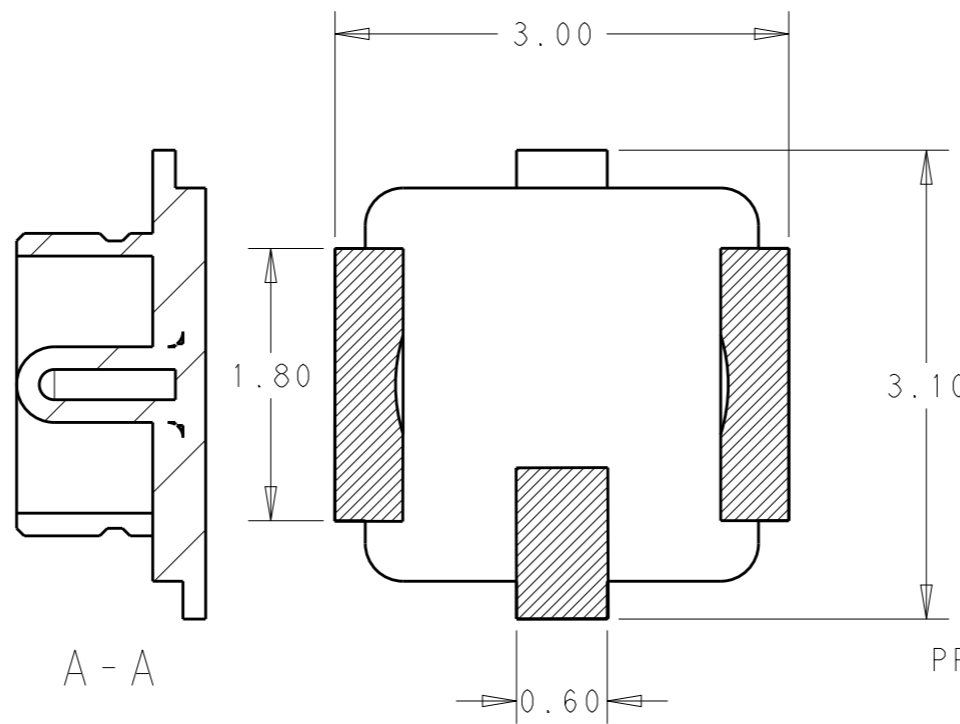
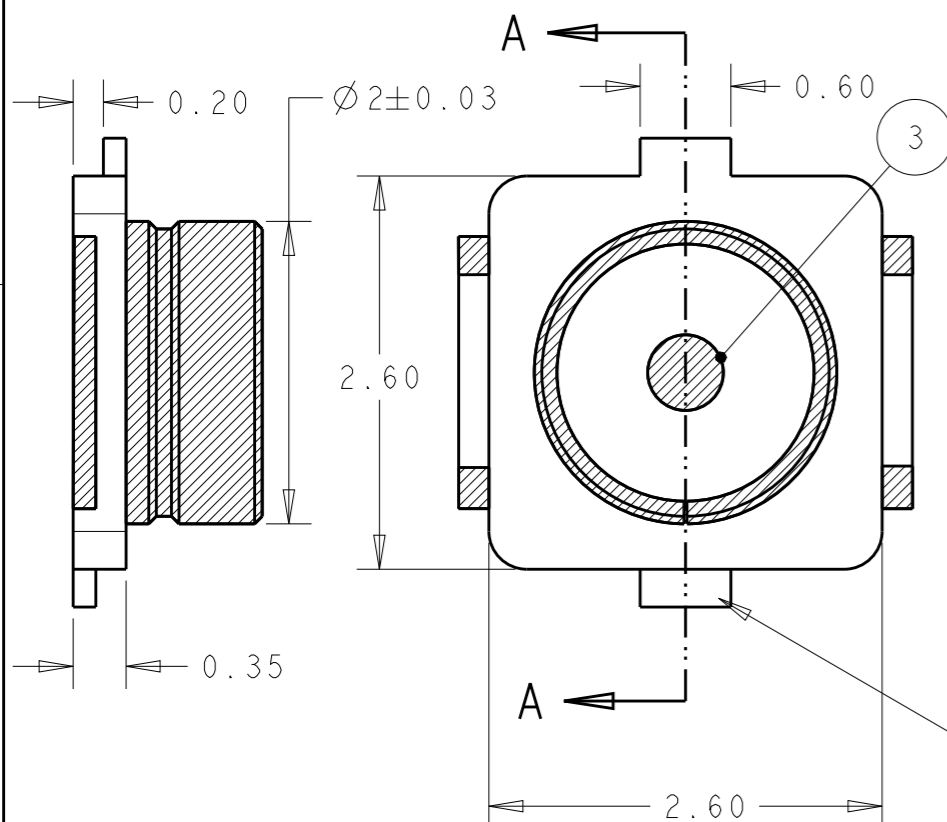
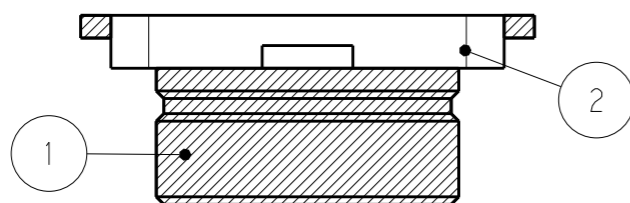
3. HATCHING FOR Au PLATING AREA. (Au PLATING : 0.05um MIN)

4. RoHS COMPLIANT

5. COPLANARITY : 0.1MAX

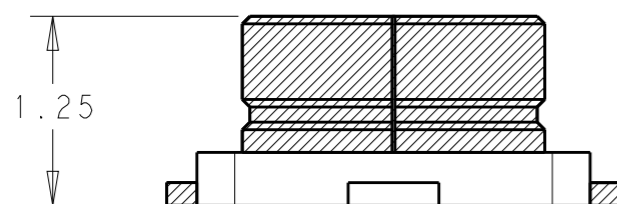
6. FITTING CONNECTOR  
USS RF PLUG CONNECTOR

AS SHOWN : 2337019-1



STANDARD PCB LAYOUT SCALE 20:1

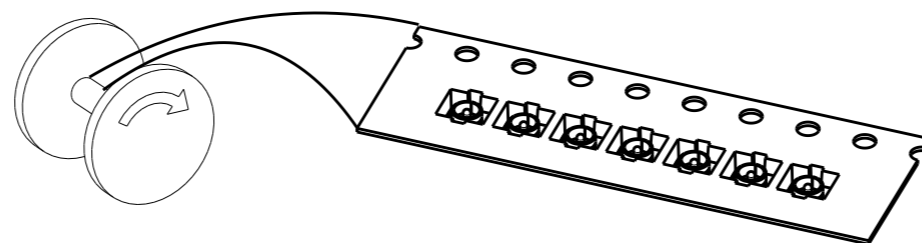
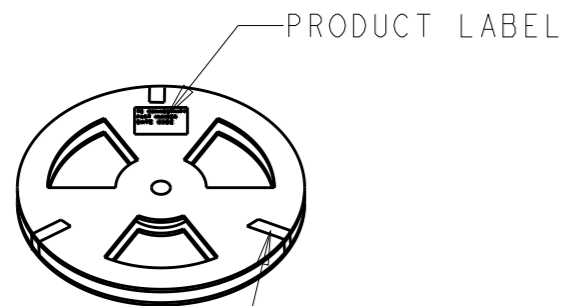
QTY	DESCRIPTION	ITEM
1	CENTER CONTACT	3
1	DIELECTRIC	2
1	SHELL	1



THIS DRAWING IS A CONTROLLED DOCUMENT.		DWN H. TAMURA	23MAY2018	<b>STE</b> TE Connectivity	
DIMENSIONS: mm		CHK -	APVD -		
TOLERANCES UNLESS OTHERWISE SPECIFIED: ±0.15		PRODUCT SPEC 108-140209		NAME RF, RECEPTACLE CONNECTOR GENERATION 1 COMPATIBLE WITH MHF	
0 PLC ± 1 PLC ± 2 PLC ± 3 PLC ± 4 PLC ± ANGLES ±3°		APPLICATION SPEC -		SIZE A3	CAGE CODE -
MATERIAL -		FINISH -		DRAWING NO C=2337019	
		WEIGHT 0.016		RESTRICTED TO -	
		CUSTOMER DRAWING		SCALE 20:1	SHEET 1 OF 2
				REV A3	

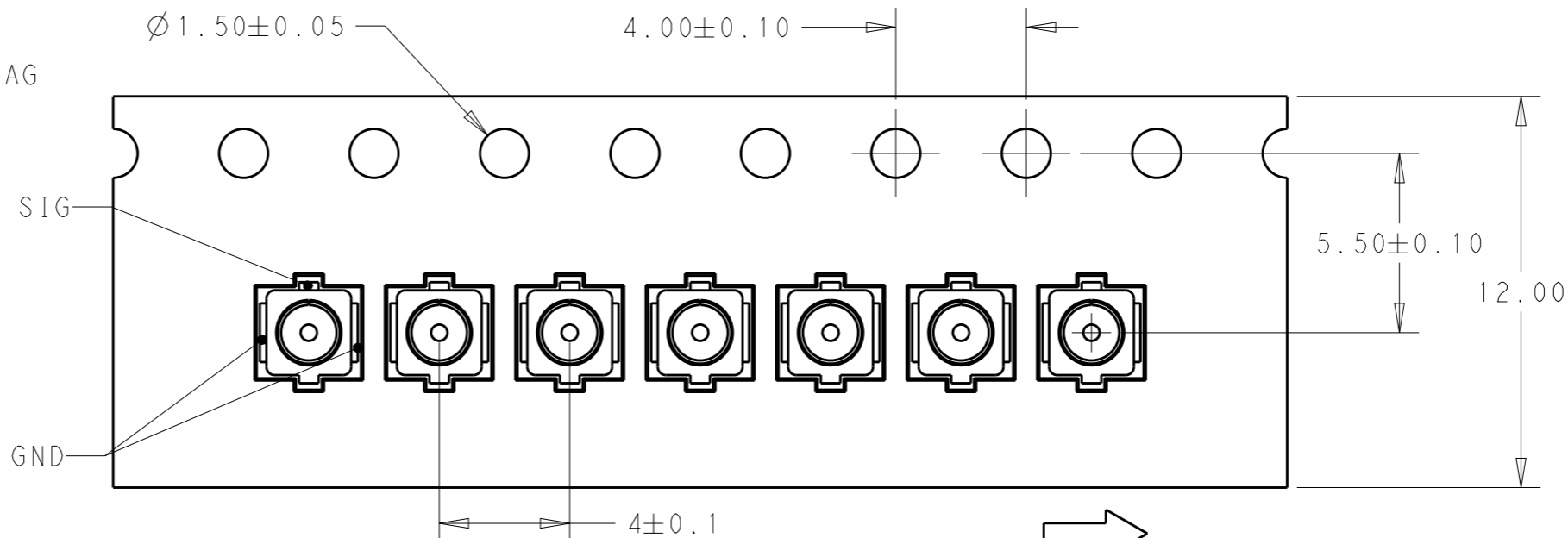
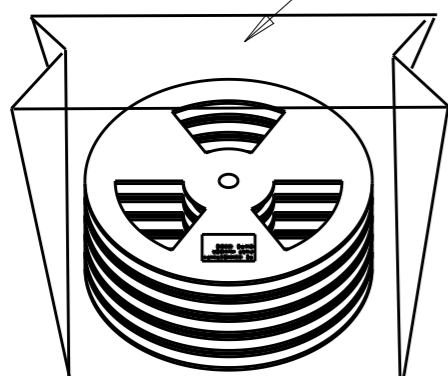
REVISIONS

P	LTR	DESCRIPTION	DATE	DWN	APVD
-	-	SEE SHEET 1	-	-	-



TRANSPARENT TAPE (\*3)

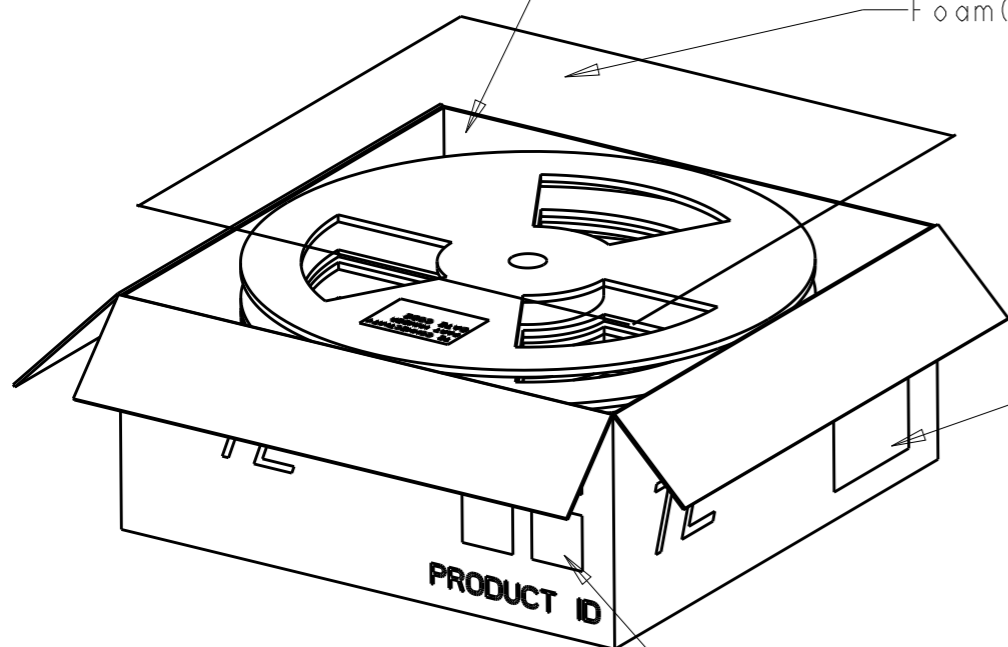
WATERPROOF BAG



USER DIRECTION OF UNREELING

TRIANGULAR CARDBOARD (\*4)

Foam (\*2)



SIDE OF BOX  
CUSTOMER LABEL

SHIPPMENT LABEL  
RoHs LABEL  
PRODUCT LABEL

NOTE  
 10000 PCS / REEL  
 6 REEL / BOX  
 60000 PCS / BOX  
 REEL DIAM : 380mm  
 MATERIAL : PS 0.3mm  
 REEL INNER WIDTH :  $13 \pm 0.2$   
 REEL OUTER WIDTH :  $18 \pm 0.2$   
 LEADER : 400mm MIN  
 COVER TAPE LEGTH IN LEADER : 50mm MIN  
 EMPTY IN LEADER : 500mm  
 TRAILER(EMPTY) : 160mm MIN

THIS DRAWING IS A CONTROLLED DOCUMENT.		DWN H. TAMURA	23MAY2018	TE Connectivity	
DIMENSIONS: mm		CHK -	APVD -		
		TOLERANCES UNLESS OTHERWISE SPECIFIED: $\pm 0.15$		PRODUCT SPEC -	
MATERIAL -		FINISH -		APPLICATION SPEC -	
-		-		WEIGHT -	
-		-		CUSTOMER DRAWING	
-		-		SIZE A3	CAGE CODE -
-		-		DRAWING NO C-2337019	RESTRICTED TO -
-		-		SCALE NTS	SHEET 2 OF 2
-		-		REV A3	