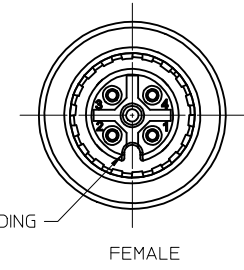
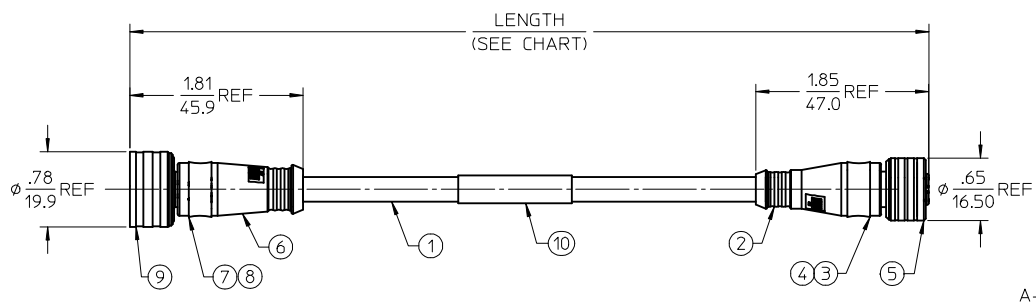
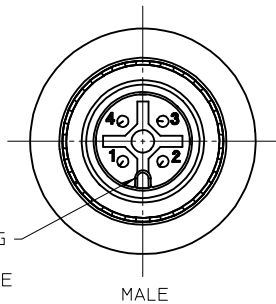
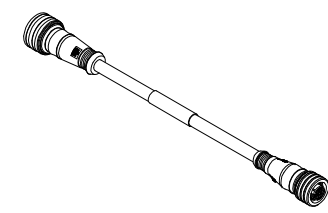
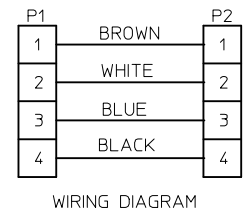


PART NUMBER	ENGINEERING NO.	LENGTH
1200800009	WW4030A09M006	2' 0" +1.8 - 0 [.6M +45MM - 0]
1200800403	WW4030A09M010	3' 3" +2.2 - 0 [1M +55MM - 0]
1200800331	WW4030A09M020	6' 6" +3.5" - 0 [2M +90MM - 0]
1200800450	WW4030A09M030	9' 8" +3.5" - 0 [3M +90MM - 0]
1200800332	WW4030A09M040	13' 1" +6" - 0 [4M +150MM - 0]
1200800333	WW4030A09M050	16' 4" +6" - 0 [5M +150MM - 0]



- NOTES:
- MATERIAL: SEE TABLE
 - FINISHES: SEE TABLE
 - WRAP LABEL IS MARKED WITH P/N, DATE CODE, VOLTAGE & AMPERAGE.
 - MATES WITH: MICRO CHANGE, 4 POLE RECEPTACLE
 - ELECTRICAL DATA:
 INLINE CORDSET
 MALE A-CODING TO FEMALE A-CODING
 22AWG UNSHIELDED
 POLES: 4
 MAX. VOLTAGE: 250V
 MAX. CURRENT 4A
 CONTACT RESISTANCE: <5M Ohm
 PROTECTION IP67/68/69K
 TEMPERATURE RANGE: -25°C TO 90°
 - PACKAGING:
 CABLE ASSEMBLIES ARE BAGGED SEPERATELY
 IN POLY BAGS WITH BAR CODE LABEL ATTACHED
 TO OUTSIDE OF BAG.
 - ASSEMBLY IS RoHS COMPLIANT.
 - CERTIFICATIONS: cCSAus



ITEM	QTY.	DESCRIPTION	MATERIAL	FINISH
10	1	LABEL	PLASTIC FILM	BLACK/YELLOW
9	1	MALE COUPLING NUT	BRASS	BLACK
8	4	PIN CONTACT	COPPER ALLOY	GOLD PLATED
7	1	MALE INSERT	PUR	BLACK
6	1	MALE OVERMOLD	PUR	YELLOW
5	1	FEMALE COUPLING NUT	BRASS	BLACK
4	4	SOCKET CONTACT	COPPER ALLOY	GOLD PLATED
3	1	FEMALE INSERT	PUR	BLACK
2	1	FEMALE OVERMOLD	PUR	YELLOW
1	1	CABLE, 22AWG-4	PVC JACKET	YELLOW

SALES DRAWING

RELEASE DWG EC NO: WNA2010-0015 DRW:BRUPERT 2009/07/06 CHKD:BRUPERT APPR: JF MURPHY 2009/07/08	QUALITY SYMBOLS 	GENERAL TOLERANCES (UNLESS SPECIFIED)		DIMENSION STYLE IN/MM	SCALE 1:1	DESIGN UNITS INCH	THIRD ANGLE PROJECTION		
		4 PLACES ± --- ± --- 3 PLACES ± --- ± --- 2 PLACES ± --- ± --- 1 PLACE ± --- ± ---	mm INCH ± --- ± --- ± --- ± --- ± --- ± --- ± --- ± ---	DRAWN BY B. RUPERT	DATE 03/30/09	TITLE MIC 4P MFE ULCK 22/4 PVC			
		ANGULAR ±1/2°		CHECKED BY WOODMAN	DATE 03/30/09	MOLEX INCORPORATED			
		DRAFT WHERE APPLICABLE MUST REMAIN WITHIN DIMENSIONS		APPROVED BY J. MURPHY	DATE 03/30/09	MATERIAL NO. SEE CHART	DOCUMENT NO. SD-120080-009	SHEET NO. 1 OF 1	

THIS DRAWING CONTAINS INFORMATION THAT IS PROPRIETARY TO MOLEX INCORPORATED AND SHOULD NOT BE USED WITHOUT WRITTEN PERMISSION