

(A)
PART NUMBER LEGEND
W03001K05M020

FINISHED LENGTH
M005 = 0.5 METER
M010 = 1 METER
M100 = 10 METER

PART NO	ENGINEERING NO.	FINISHED LENGTH
1200790211	W03001K05M020	2M [6FT 7 IN]
1200790217	W03001K05M050	5M [16FT 5 IN]
1200790219	W03001K05M100	10M [32FT 10 IN]

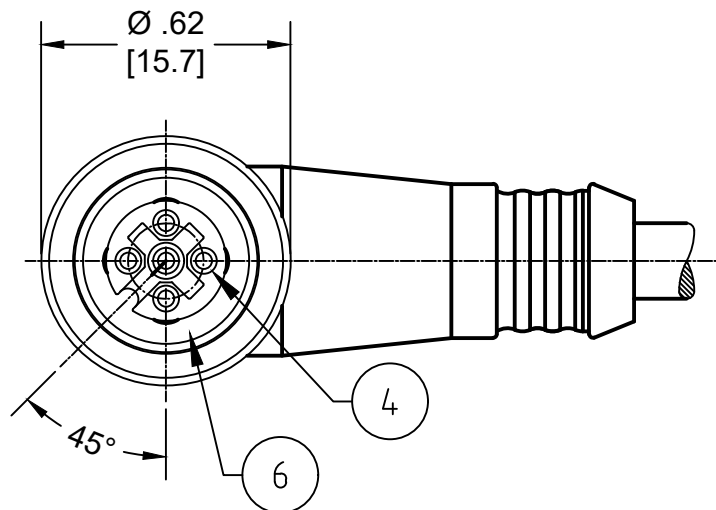
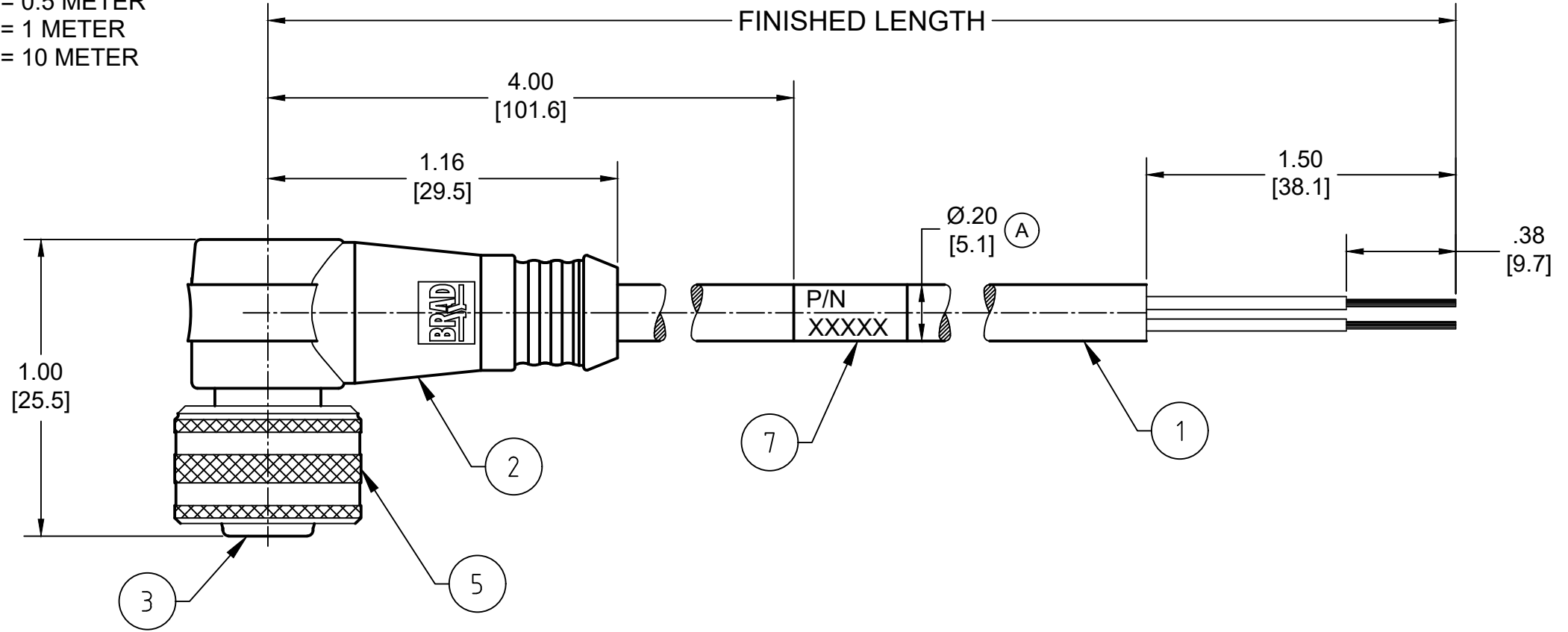
NOTES:

- MATERIAL: AS NOTED
- FINISH: AS NOTED
- ELECTRICAL:
VOLTAGE: 250V
CURRENT: 4A
- TEMP RATING: -20°TO +105°C
- PROTECTION: IP67/69K (WHEN MATED)
- CSA CERTIFIED FILE: LR6837 (A)
- ALL DIMENSIONS ARE FOR REFERENCE
UNLESS TOLERANCED OR NOTED OTHERWISE

MECHANICAL CHARACTERISTICS: (A)

TORSIONAL FLEX TEST	10 MILLION CYCLES PER MIL-C-13777G
BEND FLEX TEST	10 MILLION CYCLES PER MIL-C-13777G
WELD SLAG RESISTANCE	WOODHEAD STANDARD S-300

ITEM	DESCRIPTION	MATERIAL	FINISH
7	WRAP LABEL	VINYL	BLACK/YELLOW
6	O-RING	VITON	GREEN
5	COUPLER	BRASS	NICKEL PLATED
4	CONTACT SOCKET	COPPER ALLOY	GOLD OVER NICKEL
3	INSERT	PUR	BLACK
2	OVERMOLD	TPC	YELLOW
1	#22/3 CABLE	TPE JACKET	YELLOW



(A)

CABLE LENGTH TOLERANCES

<.3M [1FT]:	+19mm-0 [+.75in-0]
.3 - .9M [1 - 3FT]:	+44.5mm-0 [+1.75in-0]
.9 - 1.8M [3 - 6FT]:	+55.6mm-0 [+2.19in-0]
1.8 - 3.7M [6 - 12FT]:	+88.9mm-0 [+3.50in-0]
3.7 - 7.3M [12 - 24FT]:	+165.1mm-0 [+6.50in-0]
7.3-14.6M [24 - 48FT]:	+317.5mm-0 [+12.50in-0]
14.6 - 30.5M [48-100FT]:	+622.3mm-0 [+24.50in-0]
OVER 30M [100FT]:	+2% OF FINISHED LENGTH

FUNCTIONAL SYMBOLS	DIMENSION UNITS	SCALE	CURRENT REV DESC: ITEM 2 WAS TPE, #3 WAS NYLON & #7 WAS MYLAR. ADDED CSA, MECH CHARAC....CABLE DIA, PN LEGEND & TOL CHART. MODIFIED PN TABLE & FACE VIEW				
$F_A=0$	INCH/MM	NTS	molex MICRO-CHANGE ULTRA LOCK, M12 3-POLE, FEMALE, 90DEG, SINGLE KEY, #22 AWG TPE HI-FLEX PRODUCT CUSTOMER DRAWING				
$F_P=0$	GENERAL TOLERANCES (UNLESS SPECIFIED)					EC NO: 702709	2021/07/01
$F_P=0$	mm	INCH				DRWN: ABENJAMINLW	2022/04/11
DIVISIONAL SYMBOLS	4 PLACES ±----	±----				CHK'D: RSTONE	2022/04/16
	3 PLACES ±----	±----	APPR: BWOODMAN				
	2 PLACES ±----	±----	INITIAL REVISION:				
	1 PLACE ±----	±----	DRWN: LSTEMMLE	2010/02/12			
	0 PLACES ±----	±----	APPR: FPACHER	2010/02/15			
	ANGULAR TOL ± --- °		DRAFT WHERE APPLICABLE MUST REMAIN WITHIN DIMENSIONS THIRD ANGLE PROJECTION DRAWING: A3-SIZE SERIES: 120079 MATERIAL NUMBER: SEE CHART CUSTOMER: GENERAL MARKET SHEET NUMBER: 1 OF 1				