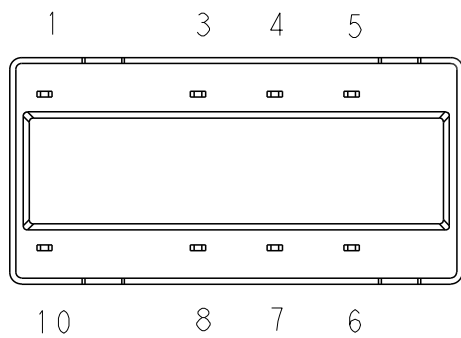
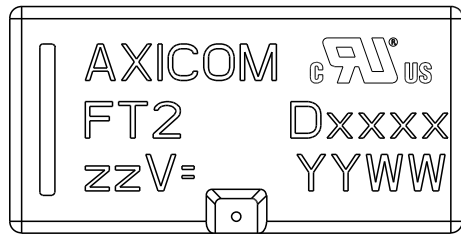
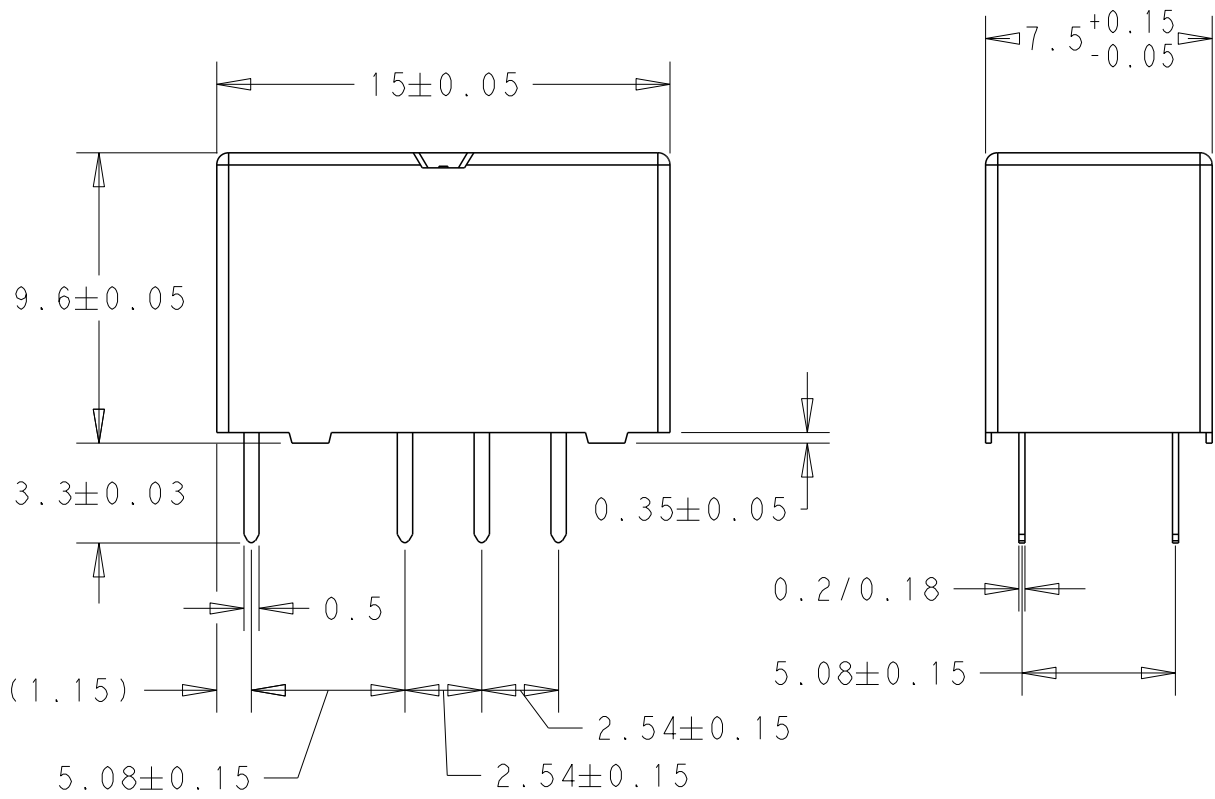


USED ON FT2 relay THT


DWG NO  
1462035-1



Relay - bottom view



xxxx = Relay Type  
zz = Nominal Voltage  
YYWW = Date Code

A6	ECR-15-000926	20.1.15	VG	PH	DWN CW 9196	26-Mar-98	CHK EG 9192	26-Mar-98	APVD HD 9121	26-Mar-98
A5	ECO-11-005150	21.3.11	RK	HMR	DIMENSIONS: mm			MATERIAL - -		HT TR - -
					TOLERANCES UNLESS OTHERWISE SPECIFIED:			 TE Connectivity NAME FT Relay Dimensional Drawing		
					0 PLC ±- 1 PLC ±0.1 2 PLC ±0.01 3 PLC ±0.005 4 PLC ±0.0001 ANGLES ±-					
LTR	REVISION RECORD	DATE	DWN	APVD	SURFACE TEXTURE √					
THIS DRAWING IS A CONTROLLED DOCUMENT.					SCALE	SIZE/FMT	DRAWING NO		SHEET	REV
					4:1	A4	C - 1462035-1		1 OF 1	A6

AND AFFILIATES (TE). IT MAY NOT BE DISCLOSED TO ANYONE, OTHER THAN TE PERSONNEL, WITHOUT AUTHORIZATION FROM TE (www.TE.com).