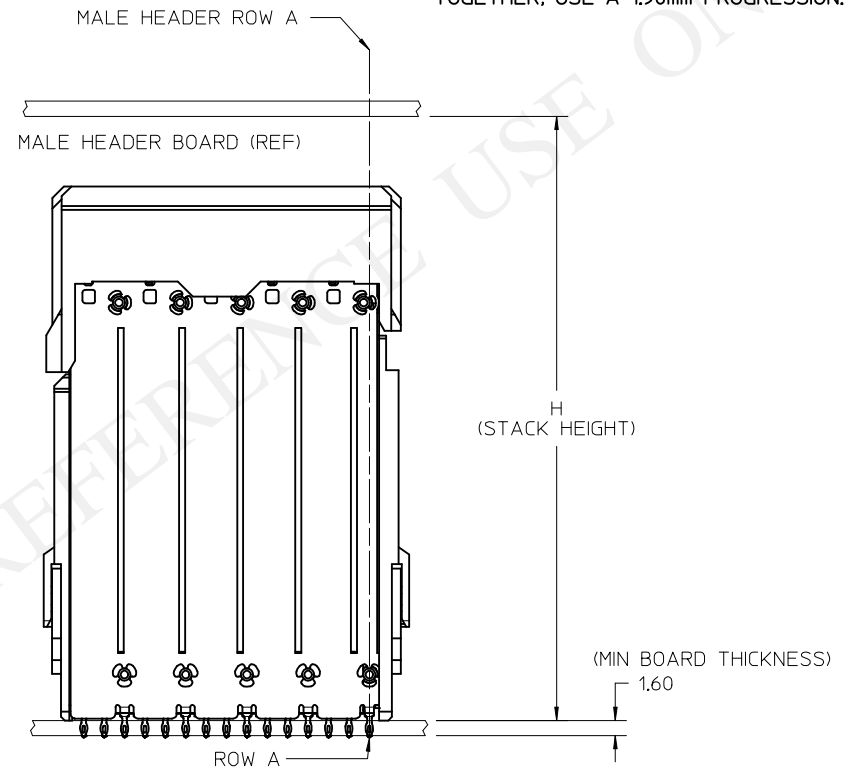
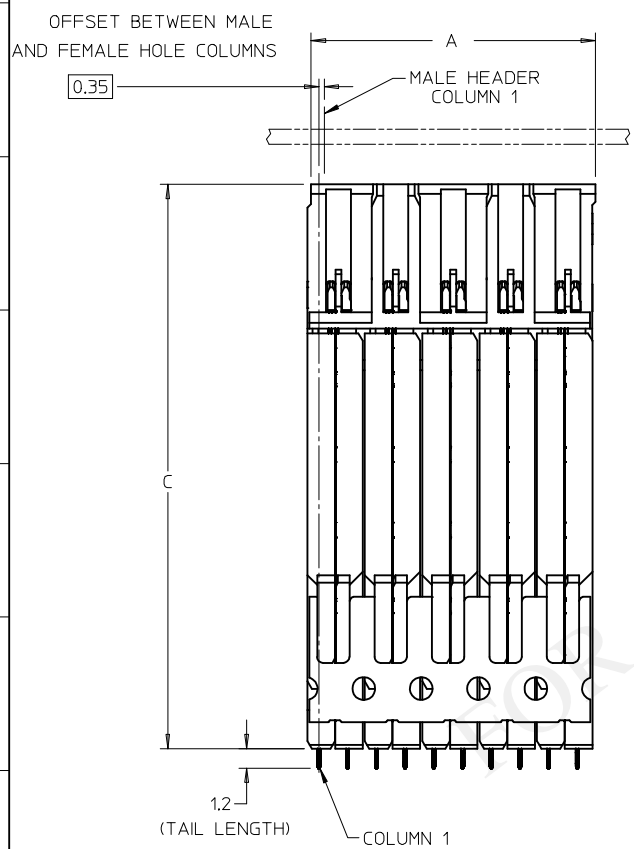


- NOTES:
1. MATERIALS: HOUSING - LIQUID CRYSTAL POLYMER (LCP), GLASS-FILLED, UL94V-0
TERMINALS - HIGH PERFORMANCE COPPER ALLOY
 2. FINISH: 30UM SELECTIVE GOLD IN CONTACT AREA. SELECTIVE MATTE TIN OR SELECTIVE TIN/LEAD ON PCB TAILS. NICKEL OVERALL.
 3. EACH SIGNAL WAFER COLUMN CONTAINS A SHIELD.
 4. PRODUCT SHALL BE PACKAGED PER PK-70873-0040 (40mm), PK-70873-0042 (28mm) OR PK-70873-0043 (38mm).
 5. FOR FURTHER INFORMATION SEE PRODUCT SPECIFICATION PS-76060-999.
 6. THIS PART CONFORMS TO CLASS B REQUIREMENTS OF COSMETIC SPEC PS-45499-002.
 7. PART SHOWN HAS AN OVERALL STACK HEIGHT OF 40mm. VARYING STACK HEIGHTS MAY BE AVAILABLE UPON REQUEST.
 8. REFER TO MOLEX SALES DRAWING SD-76055-001 FOR THE MATING HEADERS.
 9. REFER TO MOLEX PCB ROUTING GUIDE AS-76060-990 FOR ANTIPAD AND ROUTING RECOMMENDATIONS.
 10. *THESE DIMENSIONS REPRESENT THE AREA NEEDED TO ACCOMMODATE CONNECTOR INSERTION & REPAIR ON THE PC BOARD. THIS IS REFERRED TO AS THE "CONNECTOR KEEP OUT ZONE" AND DOES NOT REPRESENT THE ACTUAL PERIMETER OF THE CONNECTOR. WHEN LAYING OUT A PC BOARD WITH CONNECTORS STACKED TOGETHER, USE A 1.90mm PROGRESSION.*



PROPOSED EC NO: UCP2017-2750 DRAWN: MCARRANZA 2012/04/11 CHKD: APPR: MCARRANZA 2017/06/20 REV 1	QUALITY SYMBOLS ▽=0 ▽=0	GENERAL TOLERANCES (UNLESS SPECIFIED)		DIMENSION STYLE MM ONLY	SCALE 4:1	DESIGN UNITS METRIC	THIRD ANGLE PROJECTION	
		4 PLACES ± --- ± ---	3 PLACES ± --- ± ---	DRAWN BY MCARRANZA	DATE 2012/04/11	TITLE IMPACT XTR 5-PAIR VERTICAL MEZZANINE UNGUIDED SALES DWG		
		2 PLACES ± 0.10 ± ---	1 PLACE ± 0.25 ± ---	CHECKED BY	DATE			
		ANGULAR ± 1/2°		APPROVED BY MCARRANZA		DATE 2017/06/20	MOLEX MOLEX INCORPORATED DOCUMENT NO. SD-171590-001	
DRAFT WHERE APPLICABLE MUST REMAIN WITHIN DIMENSIONS		SEE CHART		MATERIAL NO.		SHEET NO. 1 OF 2		
THIS DRAWING CONTAINS INFORMATION THAT IS PROPRIETARY TO MOLEX INCORPORATED AND SHOULD NOT BE USED WITHOUT WRITTEN PERMISSION								

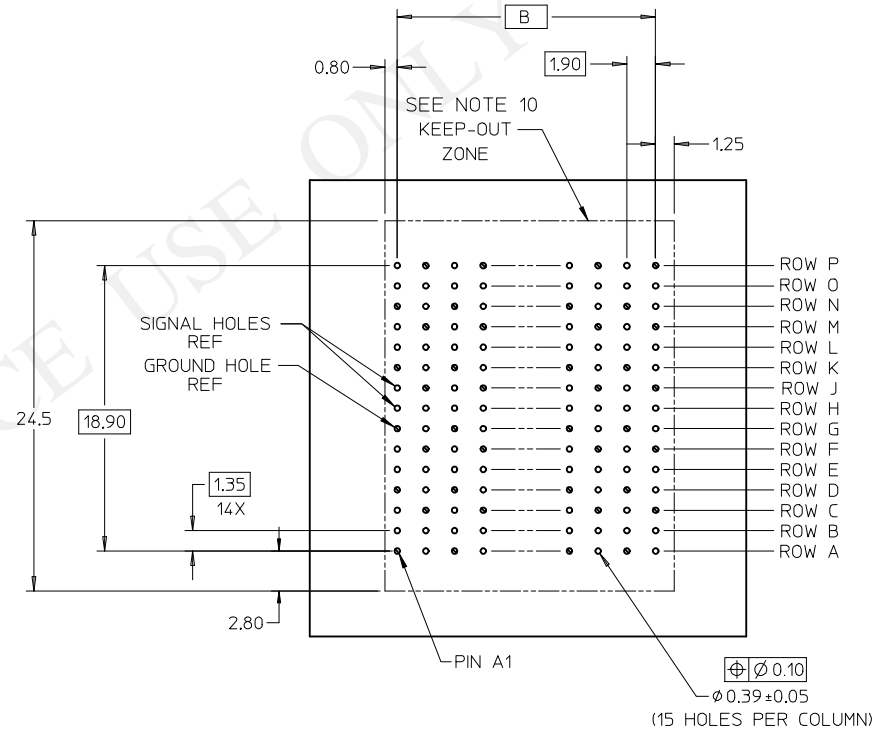
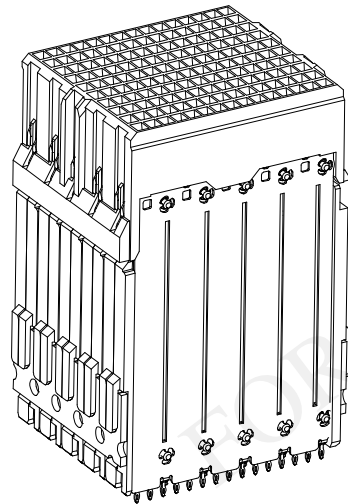
PART NUMBER	# OF COLUMNS	# OF DIFF PAIR	DIM "A"	DIM "B"	DIM "C"	STACK HEIGHT (H)
171590-1040	10	50	19.0	17.10	37.36	40.00
171590-1042	12	60	22.8	20.90	37.36	40.00
171590-1047	14	70	26.6	24.70	37.36	40.00
171590-1046	16	80	30.4	28.50	37.36	40.00

171590-104*

1 = OPEN LEAD-FREE

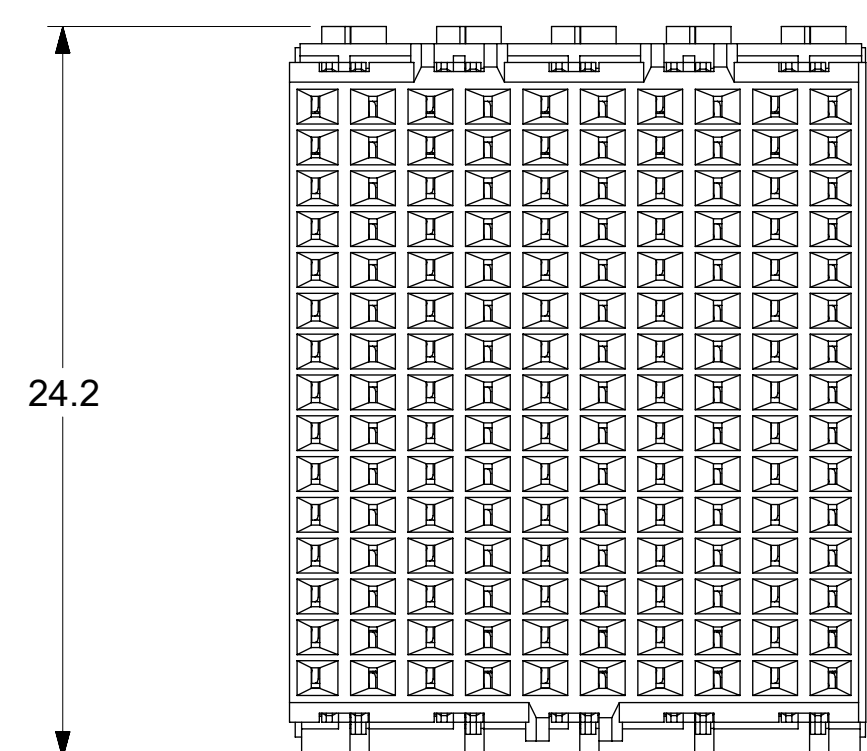
STACK HEIGHT
4 = 40mm

OF COLUMNS
0 = 10 COL MICRO COMPLIANT
2 = 12 COL MICRO COMPLIANT
6 = 16 COL MICRO COMPLIANT
7 = 14 COL MICRO COMPLIANT

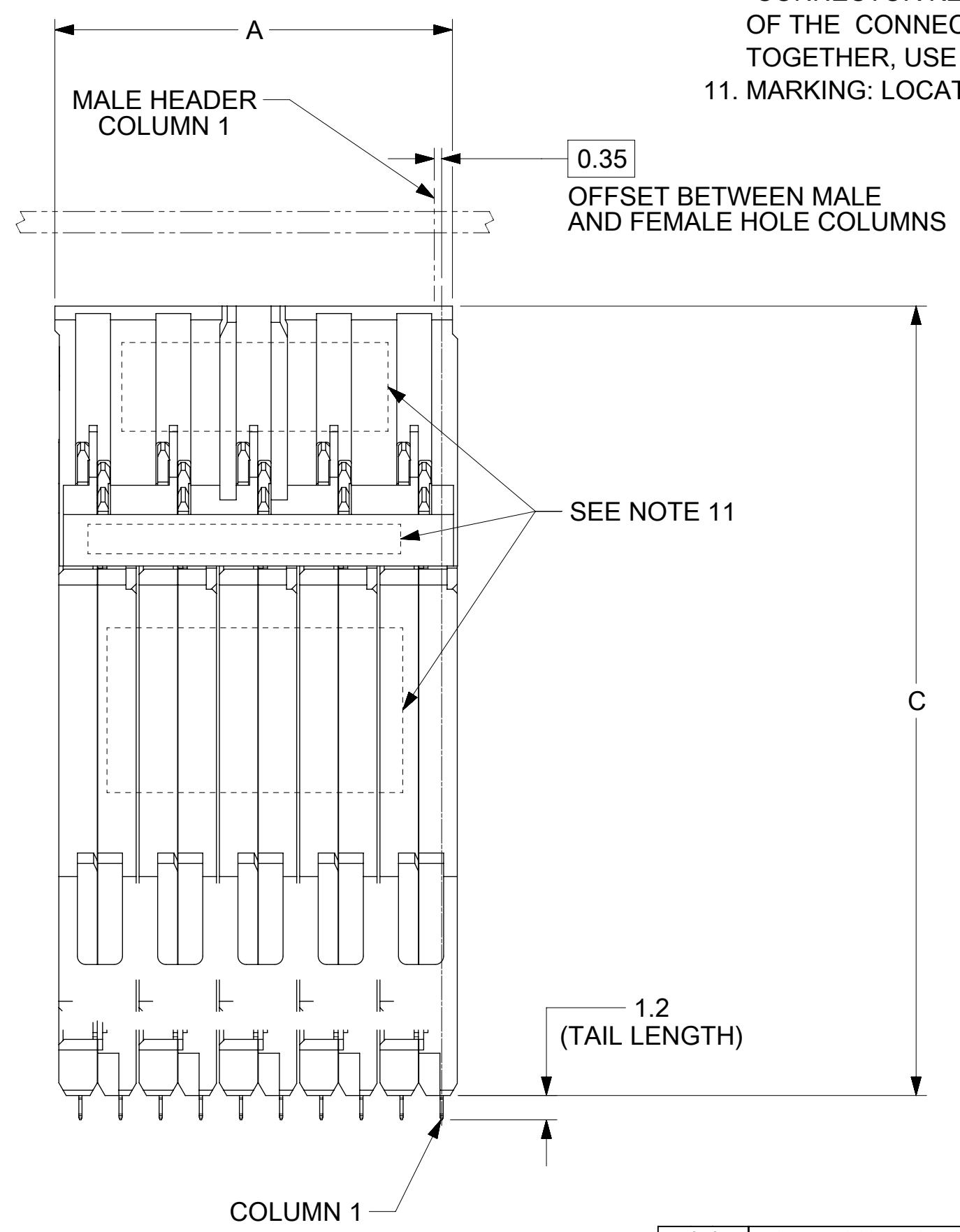
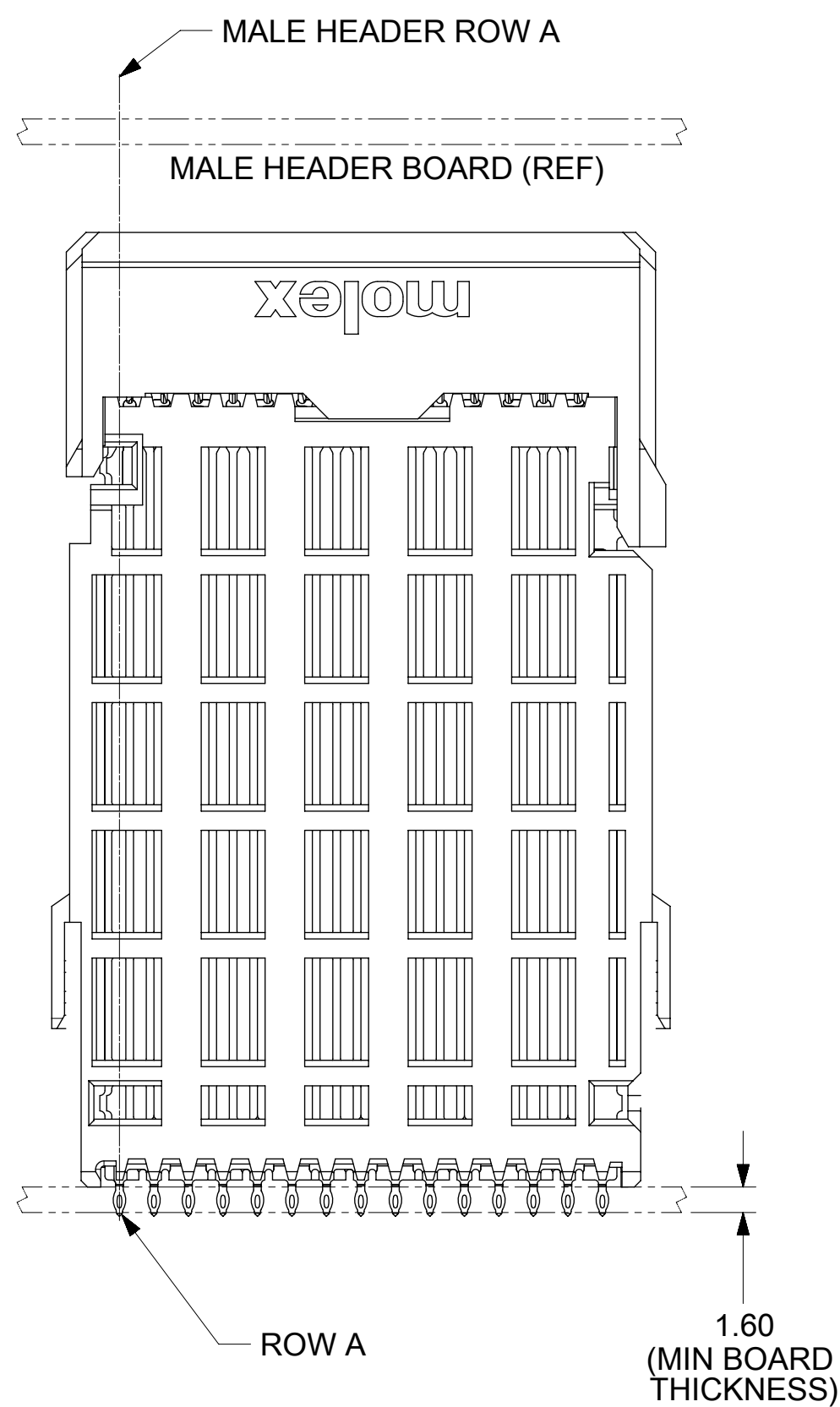


VERTICAL FEMALE HOLE PATTERN
(CONNECTOR SIDE)

SEE SHEET 1 EC NO: UCP2017-2750 DRAWN: MCARRANZA 2012/04/11 CHKD: APPR: MCARRANZA 2017/06/20 REV 1	QUALITY SYMBOLS	GENERAL TOLERANCES (UNLESS SPECIFIED)	DIMENSION STYLE	SCALE	DESIGN UNITS	THIRD ANGLE PROJECTION															
	$\nabla=0$ $\nabla=0$	<table border="1"> <thead> <tr> <th></th> <th>mm</th> <th>INCH</th> </tr> </thead> <tbody> <tr> <td>4 PLACES</td> <td>± 0.10</td> <td>± 0.004</td> </tr> <tr> <td>3 PLACES</td> <td>± 0.15</td> <td>± 0.005</td> </tr> <tr> <td>2 PLACES</td> <td>± 0.20</td> <td>± 0.008</td> </tr> <tr> <td>1 PLACE</td> <td>± 0.25</td> <td>± 0.010</td> </tr> </tbody> </table>		mm	INCH	4 PLACES	± 0.10	± 0.004	3 PLACES	± 0.15	± 0.005	2 PLACES	± 0.20	± 0.008	1 PLACE	± 0.25	± 0.010	MM ONLY	3:1	METRIC	
		mm	INCH																		
	4 PLACES	± 0.10	± 0.004																		
3 PLACES	± 0.15	± 0.005																			
2 PLACES	± 0.20	± 0.008																			
1 PLACE	± 0.25	± 0.010																			
DRAFT WHERE APPLICABLE MUST REMAIN WITHIN DIMENSIONS	DRAWN BY: MCARRANZA DATE: 2012/04/11 CHECKED BY: DATE: APPROVED BY: MCARRANZA DATE: 2017/06/20 MATERIAL NO.: SEE CHART	TITLE: IMPACT XTR 5-PAIR VERTICAL MEZZANINE UNGUIDED SALES DWG MOLEX INCORPORATED DOCUMENT NO.: SD-171590-001	SHEET NO.: 2 OF 2																		
THIS DRAWING CONTAINS INFORMATION THAT IS PROPRIETARY TO MOLEX INCORPORATED AND SHOULD NOT BE USED WITHOUT WRITTEN PERMISSION																					



- NOTES:
1. MATERIALS: HOUSING - LIQUID CRYSTAL POLYMER (LCP), GLASS-FILLED, UL94V-0
TERMINALS - HIGH PERFORMANCE COPPER ALLOY
 2. FINISH: 30μIN SELECTIVE GOLD IN CONTACT AREA. SELECTIVE MATTE TIN ON PCB TAILS. NICKEL OVERALL.
 3. EACH SIGNAL WAFER CONTAINS 2 COLUMNS OF TERMINALS.
 4. PRODUCT SHALL BE PACKAGED PER PK-70873-0040 (40mm), PK-70873-0042 (28mm) OR PK-70873-0043 (38mm).
 5. FOR FURTHER INFORMATION SEE PRODUCT SPECIFICATION PS-76060-999.
 6. THIS PART CONFORMS TO CLASS B REQUIREMENTS OF COSMETIC SPEC PS-45499-002.
 7. PART SHOWN HAS AN OVERALL STACK HEIGHT OF 40mm. VARYING STACK HEIGHTS MAY BE AVAILABLE UPON REQUEST.
 8. REFER TO MOLEX SALES DRAWING SD-76055-001 FOR THE MATING HEADERS.
 9. REFER TO MOLEX PCB ROUTING GUIDE AS-76060-990 FOR ANTIPAD AND ROUTING RECOMMENDATIONS.
 10. "THESE DIMENSIONS REPRESENT THE AREA NEEDED TO ACCOMMODATE CONNECTOR INSERTION & REPAIR ON THE PC BOARD. THIS IS REFERRED TO AS THE "CONNECTOR KEEP OUT ZONE" AND DOES NOT REPRESENT THE ACTUAL PERIMETER OF THE CONNECTOR. WHEN LAYING OUT A PC BOARD WITH CONNECTORS STACKED TOGETHER, USE A 1.90mm PROGRESSION."
 11. MARKING: LOCATED APPROXIMATELY AS SHOWN. PART NUMBER AND DATE CODE.



FUNCTIONAL SYMBOLS	THIS DRAWING CONTAINS INFORMATION THAT IS PROPRIETARY TO MOLEX ELECTRONIC TECHNOLOGIES, LLC AND SHOULD NOT BE USED WITHOUT WRITTEN PERMISSION		CURRENT REV DESC: UPDATED DIM "C" IN SHEET 1.	
	DIMENSION UNITS	SCALE		
$\frac{F}{A} = 0$	mm	NTS		
$\frac{E}{C} = 0$	GENERAL TOLERANCES (UNLESS SPECIFIED)			
	ANGULAR TOL $\pm 0.5^\circ$			
DIVISIONAL SYMBOLS	4 PLACES	\pm	EC NO: 656816	
	3 PLACES	\pm	DRWN: CWANG25	2020/12/16
	2 PLACES	± 0.13	CHK'D: SHONG	2021/03/03
	1 PLACE	± 0.25	APPR: SHONG	2021/03/03
0 PLACES	\pm	INITIAL REVISION:		
DRAFT WHERE APPLICABLE MUST REMAIN WITHIN DIMENSIONS		THIRD ANGLE PROJECTION	DRAWING	SERIES
			C-SIZE	76530
DOCUMENT STATUS		P1	RELEASE DATE	2021/03/03 05:05:14
DOCUMENT NUMBER		CUSTOMER		SHEET NUMBER
SD-76530-001		GENERAL MARKET		1 OF 2
DOC TYPE		DOC PART	REVISION	
PSD		001	F5	

PART NUMBER	# OF COLUMNS	# OF DIFF PAIR	DIM "A"	DIM "B"	DIM "C"	STACK HEIGHT (H)
76530-*020	10	50	19.0	17.10	25.36	28.00
76530-*022	12	60	22.8	20.90	25.36	28.00
76530-*027	14	70	26.6	24.70	25.36	28.00
76530-*026	16	80	30.4	28.50	25.36	28.00
76530-*030	10	50	19.0	17.10	35.36	38.00
76530-*032	12	60	22.8	20.90	35.36	38.00
76530-*037	14	70	26.6	24.70	35.36	38.00
76530-*036	16	80	30.4	28.50	35.36	38.00
76530-*040	10	50	19.0	17.10	37.36	40.00
76530-*042	12	60	22.8	20.90	37.36	40.00
76530-*047	14	70	26.6	24.70	37.36	40.00
76530-*046	16	80	30.4	28.50	37.36	40.00

76530-*0**

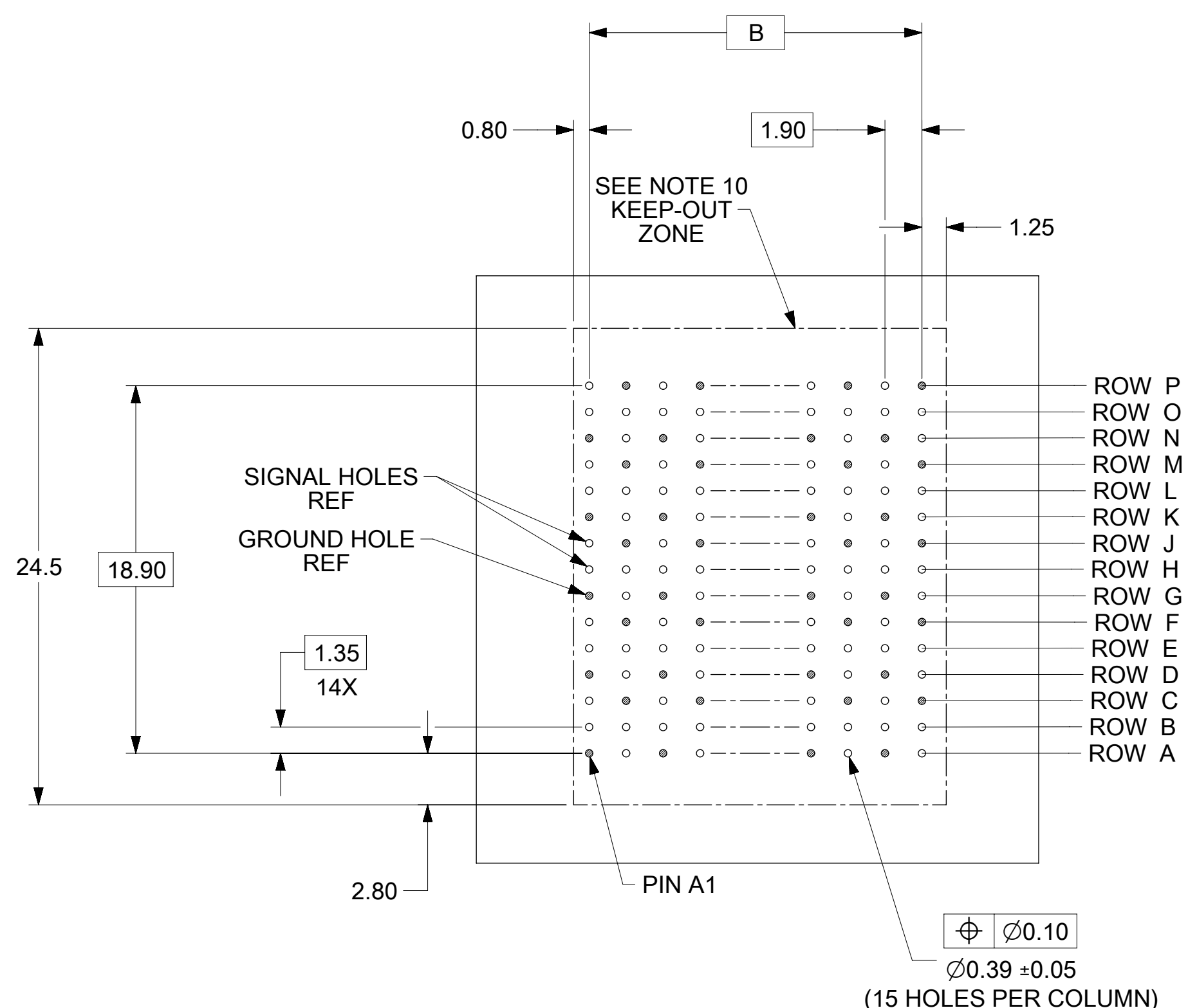
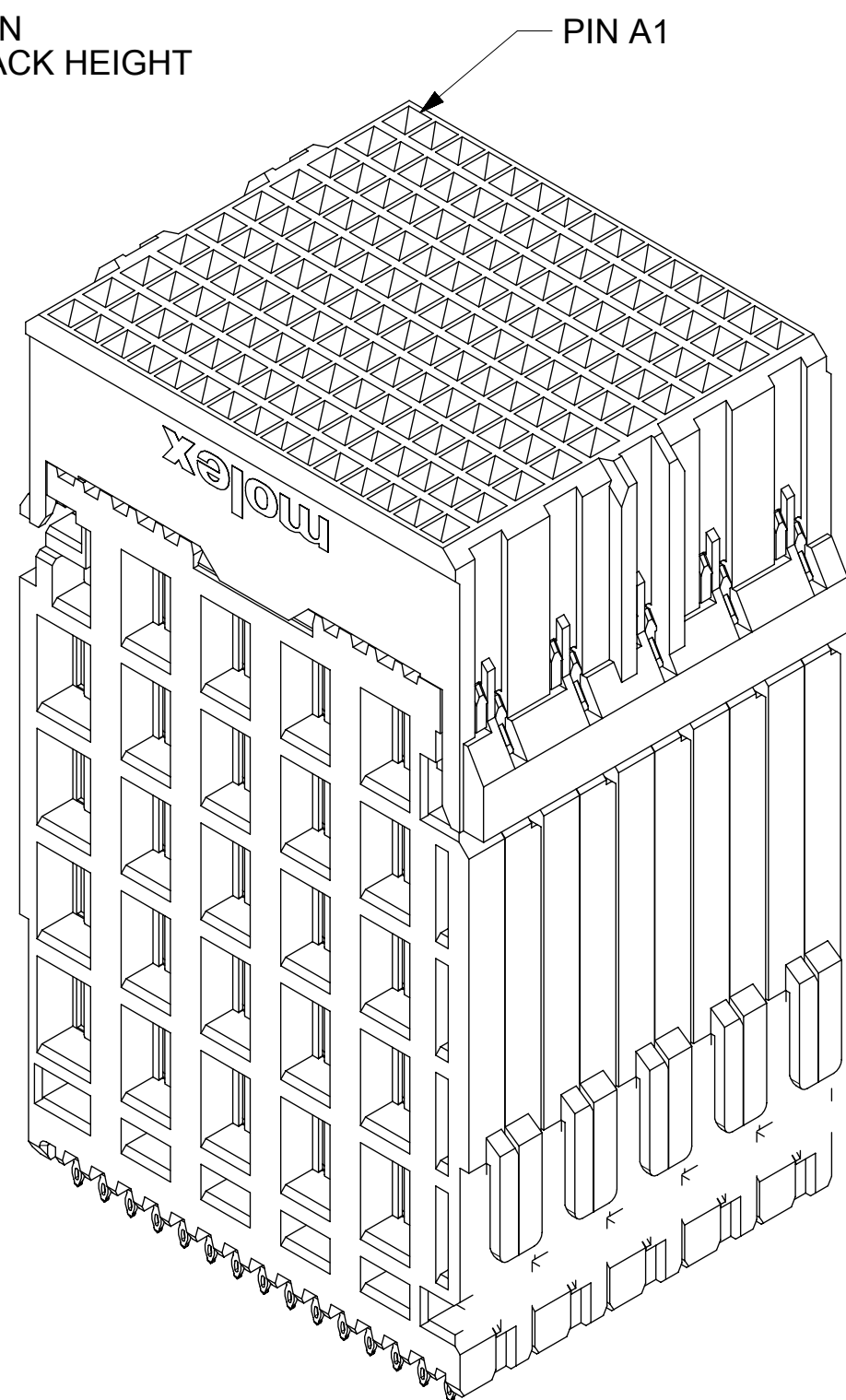
1 = OPEN LEAD-FREE

OF COLUMNS
 0 = 10 COL MICRO COMPLIANT
 2 = 12 COL MICRO COMPLIANT
 6 = 16 COL MICRO COMPLIANT
 7 = 14 COL MICRO COMPLIANT

STACK HEIGHT
 2 = 28mm
 3 = 38mm
 4 = 40mm

10 COLUMN
 40 MM STACK HEIGHT

PIN A1



VERTICAL FEMALE HOLE PATTERN
 (CONNECTOR SIDE)

FUNCTIONAL SYMBOLS	THIS DRAWING CONTAINS INFORMATION THAT IS PROPRIETARY TO MOLEX ELECTRONIC TECHNOLOGIES, LLC AND SHOULD NOT BE USED WITHOUT WRITTEN PERMISSION		CURRENT REV DESC: UPDATED DIM "C" IN SHEET 1.	
	DIMENSION UNITS	SCALE		
FA = 0	mm	NTS		
GENERAL TOLERANCES (UNLESS SPECIFIED)				
	ANGULAR TOL	± 0.5°		
DIVISIONAL SYMBOLS	4 PLACES	±	EC NO: 656816	
	3 PLACES	±	DRWN: CWANG25	2020/12/16
	2 PLACES	± 0.13	CHK'D: SHONG	2021/03/03
	1 PLACE	± 0.25	APPR: SHONG	2021/03/03
0 PLACES	±	INITIAL REVISION:		
DRAFT WHERE APPLICABLE MUST REMAIN WITHIN DIMENSIONS		THIRD ANGLE PROJECTION	DRAWING	SERIES
			C-SIZE	76530
DOCUMENT STATUS		DOC TYPE	DOC PART	REVISION
P1	RELEASE DATE	PSD	001	F5
2021/03/03	05:05:14	SD-76530-001		
MATERIAL NUMBER		CUSTOMER	SHEET NUMBER	
SEE TABLE		GENERAL MARKET	2 OF 2	

molex

IMPACT 5-PAIR
 VERTICAL MEZZANINE UNGUIDED SALES DWG

PRODUCT CUSTOMER DRAWING