

MATERIALS AND FINISHES:

BODY: PA 10T 30%GF COLOR BLACK

CENTER CONTACT: BRASS
PLATED GOLD
OVER HIGH-PHOS NICKEL
OVER COOPER

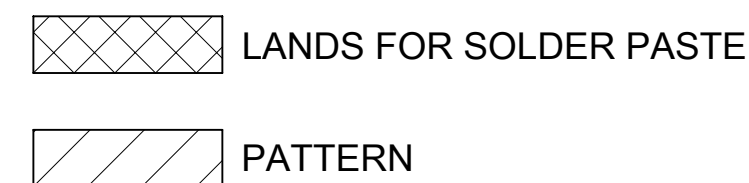
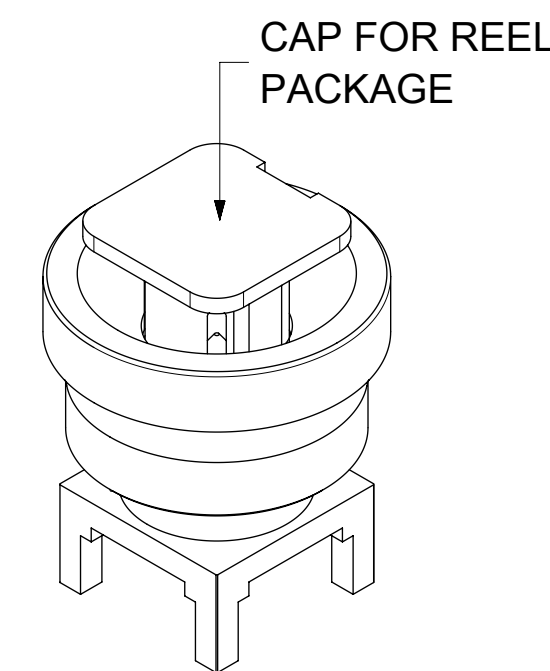
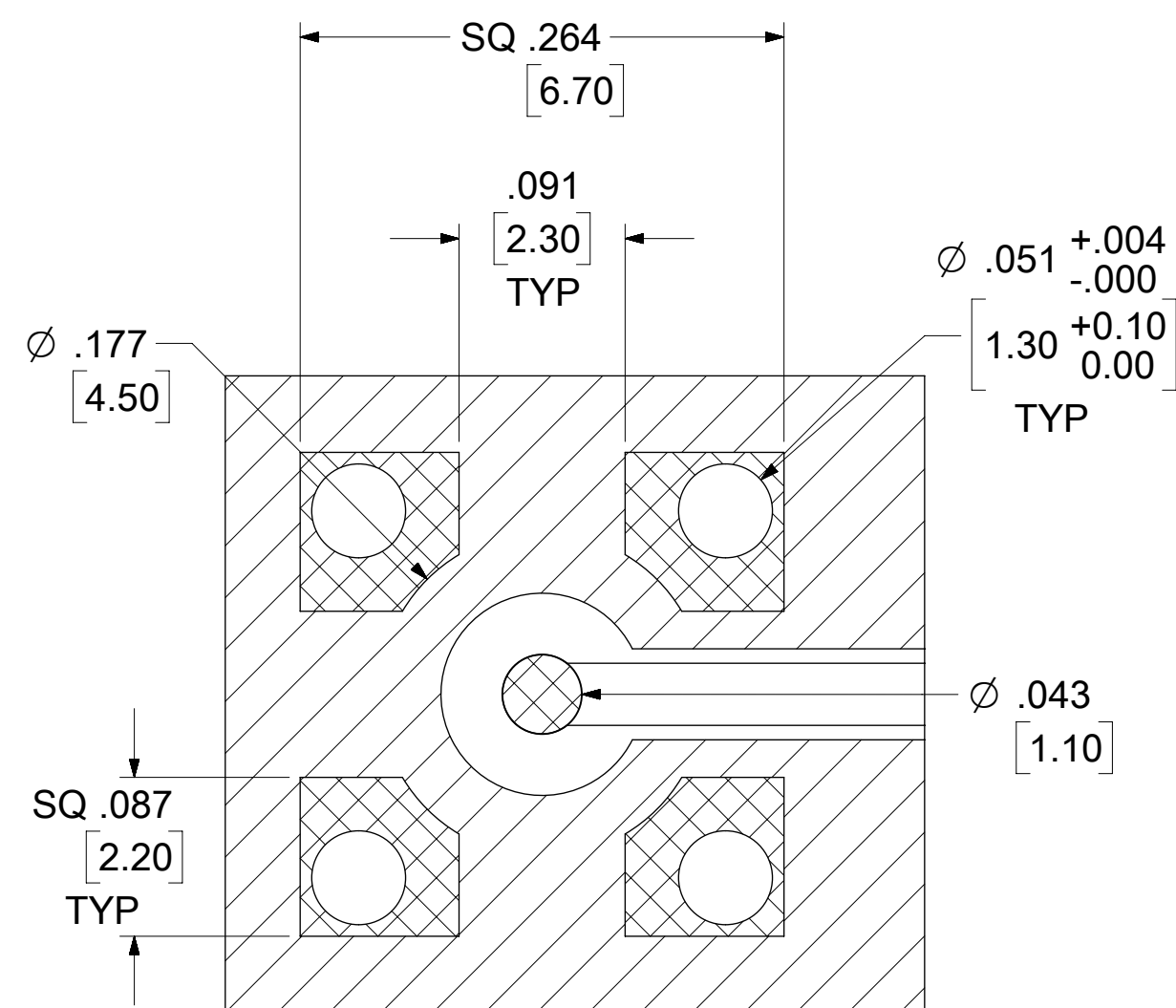
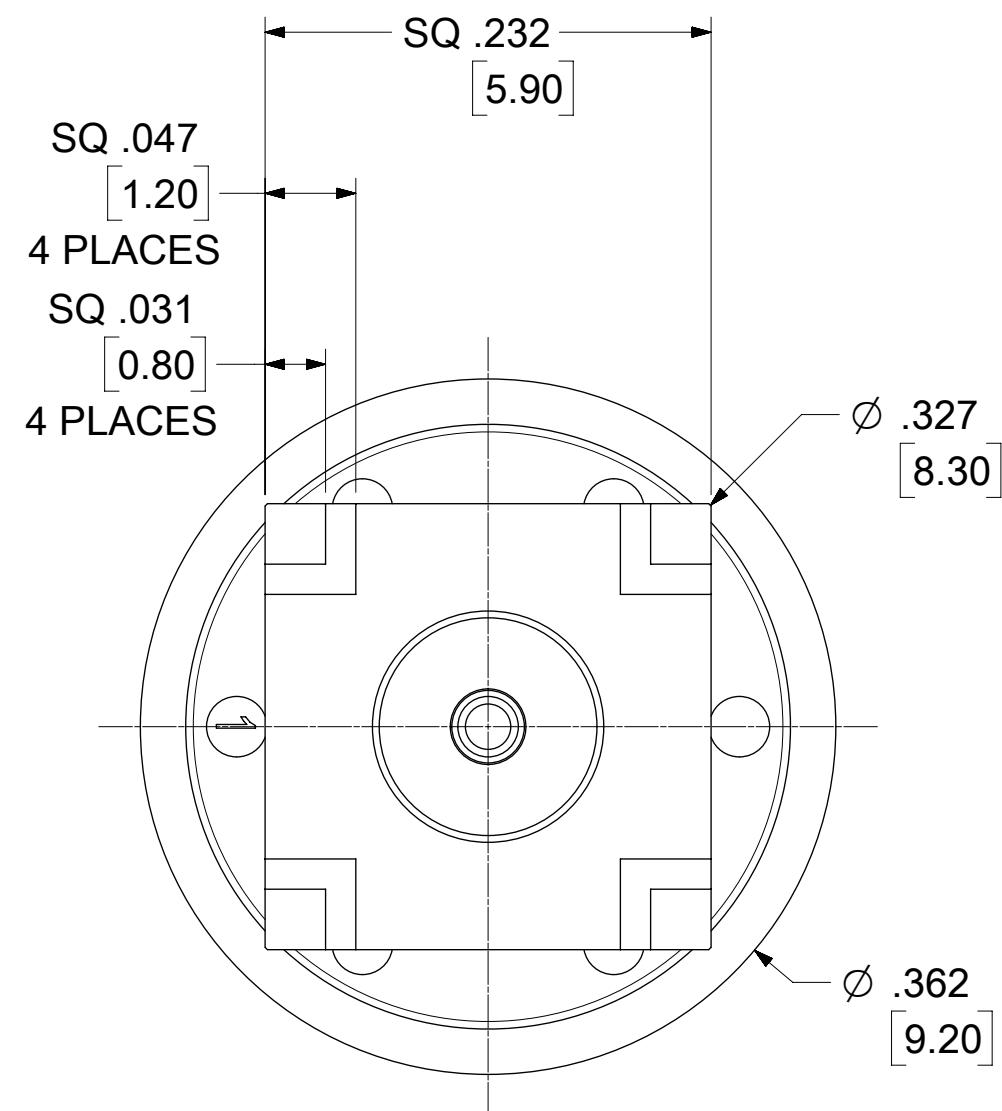
OUTER CONTACT: BRASS
PLATED GOLD
OVER HIGH-PHOS NICKEL
OVER COOPER

INSULATOR: PTFE/LCP/PEEK

CAP: PTFE/LCP

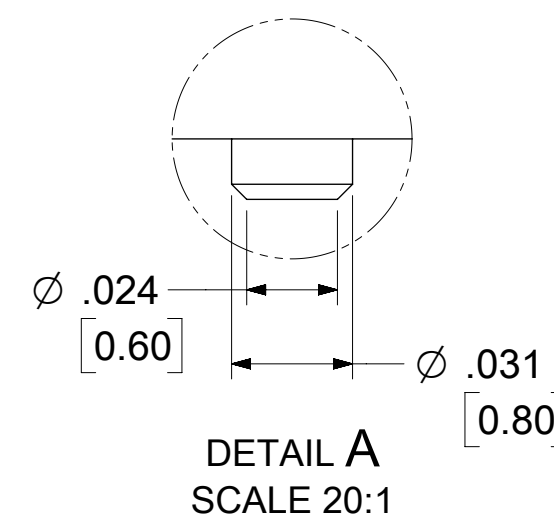
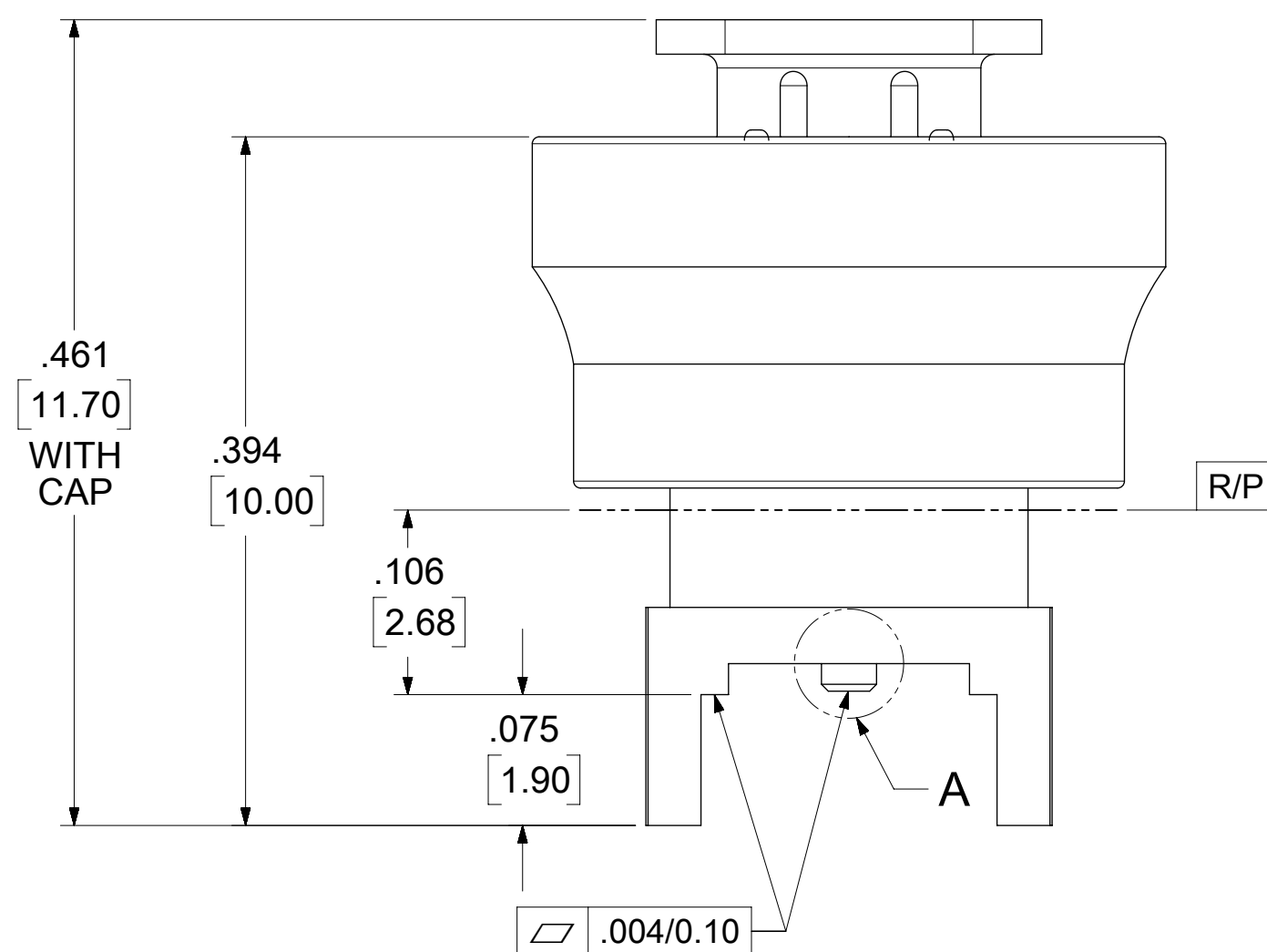
NOTE:

NOMINAL IMPEDANCE: 50Ω
 FREQUENCY RANGE: UP TO 6 GHz
 VSWR: 1.25 MAX UP TO 3 GHz; 1.35 MAX 3-6 GHz
 INSERTION LOSS: $0.15 \sqrt{F(\text{GHz})}$ dB MAX
 COAXIAL TRANSMISSION LINE ONLY
 VOLTAGE RATING: 330 Vrms AT SEAL LEVEL
 DIELECTRIC WITHSTANDING VOLTAGE: 1000 Vrms
 INSULATION RESISTANCE: 5000 M Ω
 POWER HANDLING (TYPICAL):
 300 W MIN @ 2.7 GHz AT 25°C
 200 W MIN @ 2.7 GHz AT 85°C
 RADIAL WORKING RANGE: 3°
 AXIAL WORKING RANGE: ± 1.2 MM



RECOMMENDED PCB LAYOUT

NOTE: DUE TO THE POTENTIAL LARGE VARIATION OF PERFORMANCE DEPENDING ON PCB AND LINE PARAMETERS, WE RECOMMEND THE USER TO PROCESS A RF ANALYSE OF THE CONNECTOR MOUNTED ON HIS PCB.

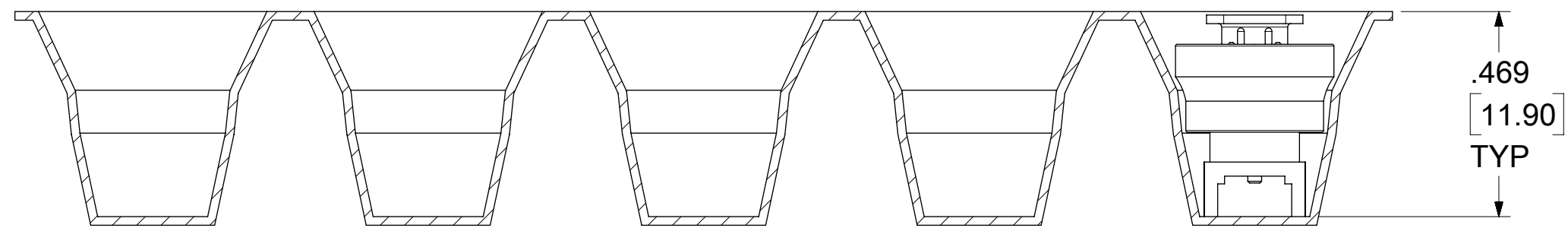
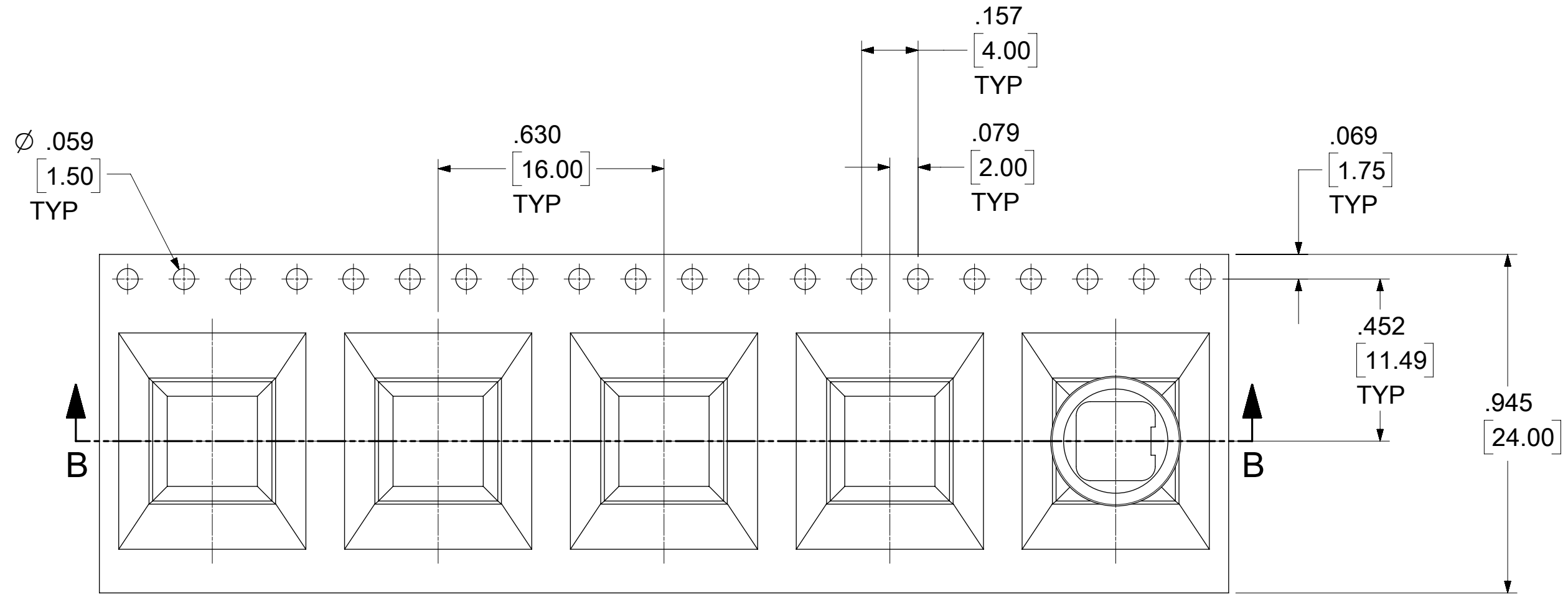


73420-5790	TAPE AND REEL WITH CAP
PART NO.	PACKAGING

A1	2017/10/27	ADD LCP CAP OPTION PER EWR #11511-A
REV	DATE	DESCRIPTION

RELEASE STATUS P1 RELEASE DATE 20.12.2017 02:44:20

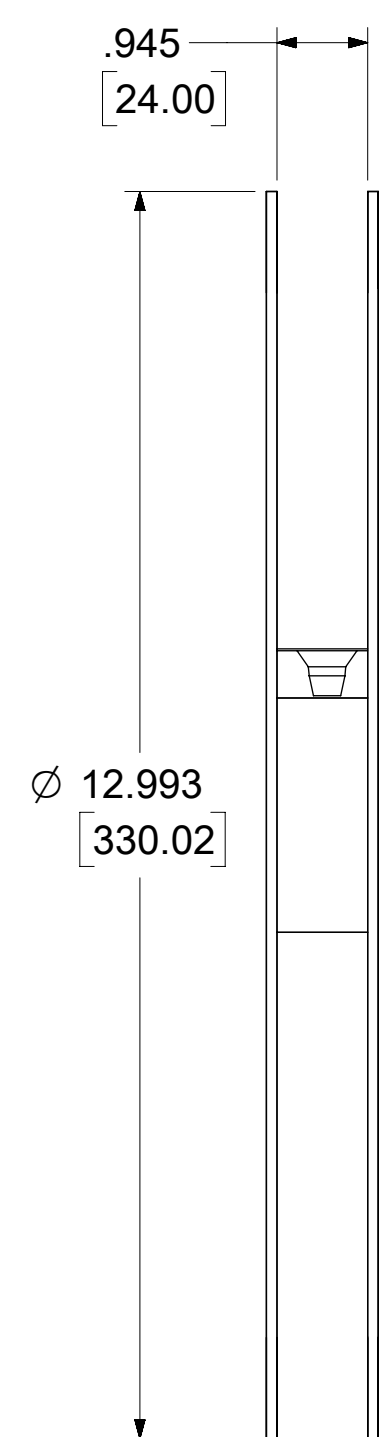
THIS DRAWING CONTAINS INFORMATION THAT IS PROPRIETARY TO MOLEX ELECTRONIC TECHNOLOGIES, LLC AND SHOULD NOT BE USED WITHOUT WRITTEN PERMISSION											
2017/10/27	2017/12/20	GENERAL TOLERANCES (UNLESS SPECIFIED)		DIMENSION UNITS	SCALE						
		ANGULAR TOL ± °		HYBRID	NTS						
EC NO: 167529 DRWN: RYEH CHKD: YCHENG REV APPR: YCHENG	A1	4 PLACES	±	DRWN BY	DATE	SMP-MAX EVO P STR SLIDE TYPE PCB TH/SMT SMPMAX-P/PCB					
		3 PLACES	±	RYEH	2016/09/23						
		2 PLACES	±	CHKD BY	DATE						
		1 PLACE	±	APPR BY	DATE						
		0 PLACES	±	YCHENG	2017/01/09						
DRAFT WHERE APPLICABLE MUST REMAIN WITHIN DIMENSIONS		DRAWING SIZE	THIRD ANGLE PROJECTION	73420		SEE TABLE		PRODUCT CUSTOMER DRAWING			
		C		DOCUMENT NUMBER		734205790		DOC TYPE	DOC PART	SHEET NUMBER	1 OF 3



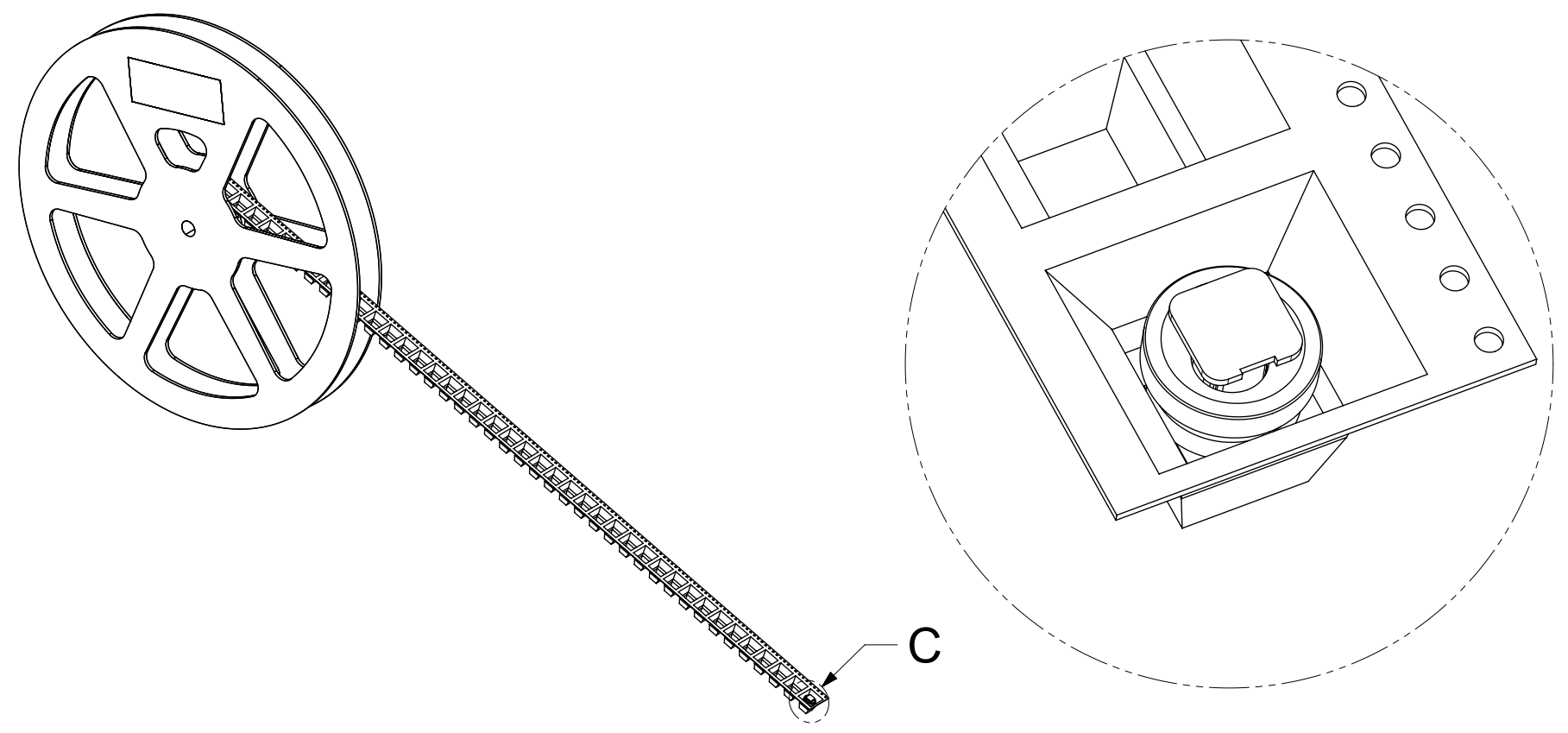
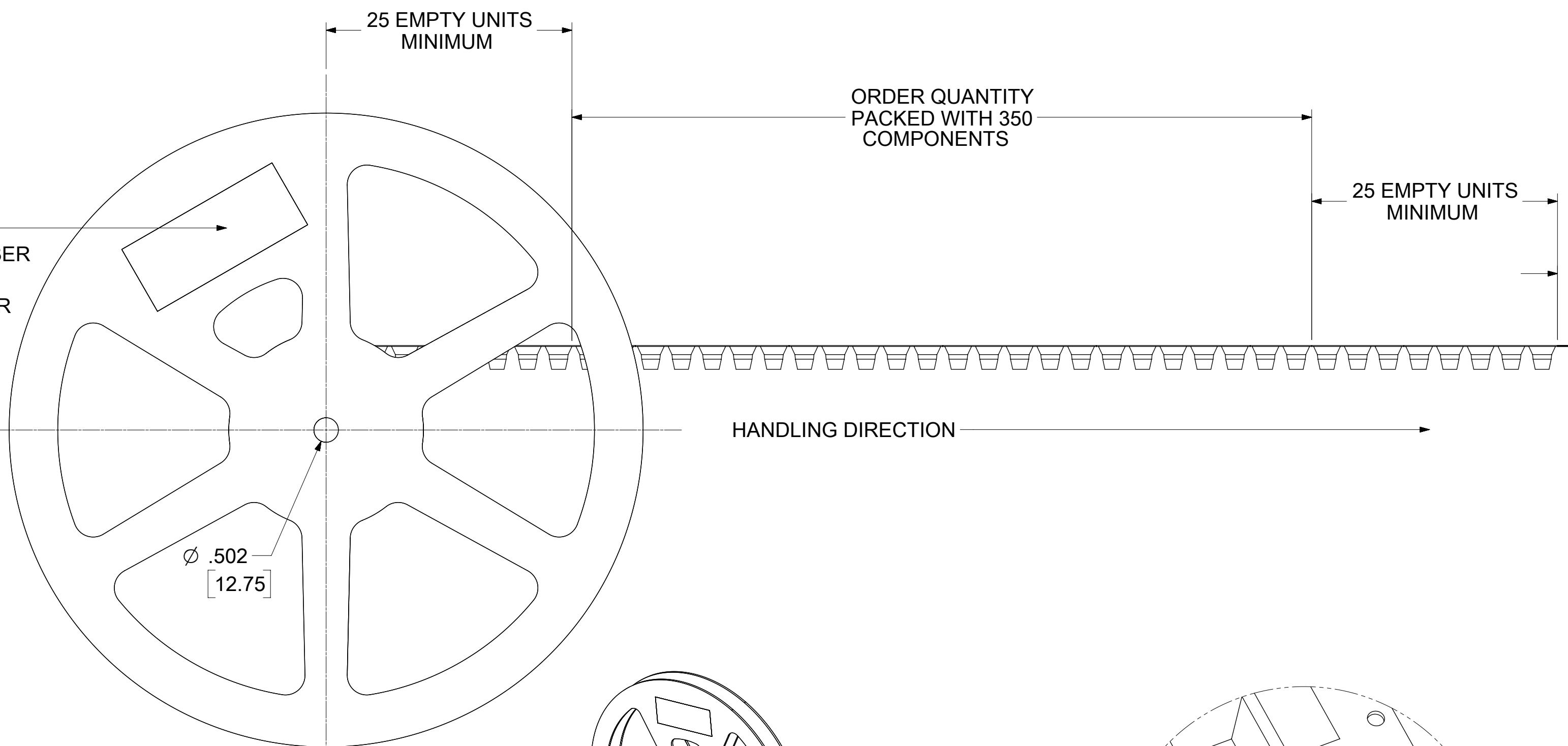
SECTION B-B

THIS DRAWING CONTAINS INFORMATION THAT IS PROPRIETARY TO MOLEX ELECTRONIC TECHNOLOGIES, LLC AND SHOULD NOT BE USED WITHOUT WRITTEN PERMISSION

EC NO: 167529 DRWN: RYEH CHKD: YCHENG REV / APPR: YCHENG	2017/10/27	2017/12/20	GENERAL TOLERANCES (UNLESS SPECIFIED)	DIMENSION UNITS	SCALE	
			ANGULAR TOL ± °	HYBRID	NTS	
			4 PLACES ±	DRWN BY	DATE	SMP-MAX EVO P STR SLIDE TYPE PCB TH/SMT SMPMAX-P/PCB
			3 PLACES ±	RYEH	2016/09/23	
			2 PLACES ±	CHKD BY	DATE	PRODUCT CUSTOMER DRAWING
			1 PLACE ±	YCHENG	2017/01/09	
			0 PLACES ±	APPR BY	DATE	SERIES MATERIAL NUMBER CUSTOMER
			DRAFT WHERE APPLICABLE MUST REMAIN WITHIN DIMENSIONS	DRAWING SIZE	THIRD ANGLE PROJECTION	73420 SEE TABLE
A1				C		DOCUMENT NUMBER 734205790 DOC TYPE PSD DOC PART 000 SHEET NUMBER 2 OF 3



LABEL:
 -ORDER NUMBER
 -QUANTITY
 -PART NUMBER
 -LOT NUMBER



DETAIL C
 SCALE 3:1

THIS DRAWING CONTAINS INFORMATION THAT IS PROPRIETARY TO MOLEX ELECTRONIC TECHNOLOGIES, LLC AND SHOULD NOT BE USED WITHOUT WRITTEN PERMISSION														
EC NO: 167529 DRWN: RYEH CHKD: YCHENG REV: APPR: YCHENG	2017/10/27	2017/12/20	GENERAL TOLERANCES (UNLESS SPECIFIED)		DIMENSION UNITS	SCALE								
			ANGULAR TOL ± °		HYBRID	NTS								
			4 PLACES ±		DRWN BY	DATE	SMP-MAX EVO P STR SLIDE TYPE PCB TH/SMT SMPMAX-P/PCB							
			3 PLACES ±		RYEH	2016/09/23								
			2 PLACES ±		CHKD BY	DATE	PRODUCT CUSTOMER DRAWING							
			1 PLACE ±		APPR BY	DATE								
			0 PLACES ±		YCHENG	2017/01/09	SERIES	MATERIAL NUMBER	CUSTOMER					
			DRAFT WHERE APPLICABLE MUST REMAIN WITHIN DIMENSIONS		DRAWING SIZE	THIRD ANGLE PROJECTION	73420	SEE TABLE						
A1					C		DOCUMENT NUMBER	734205790	DOC TYPE	PSD	DOC PART	000	SHEET NUMBER	3 OF 3