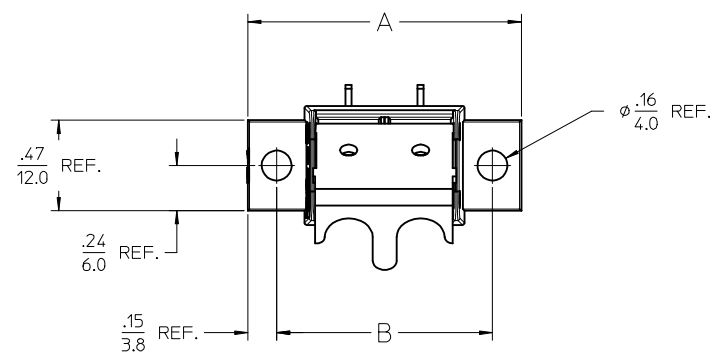
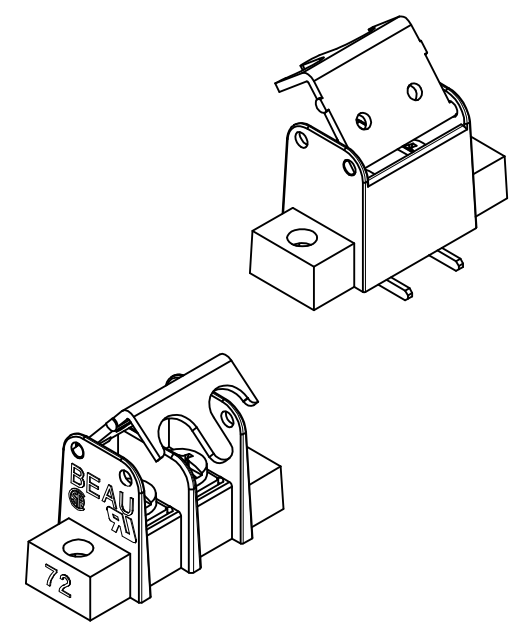
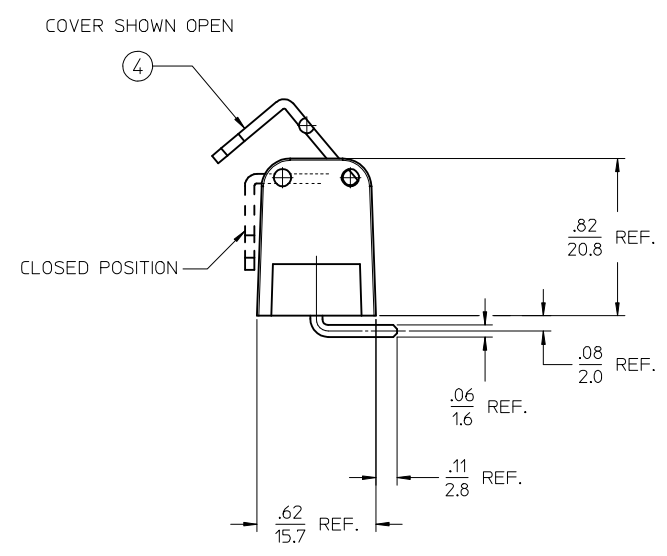
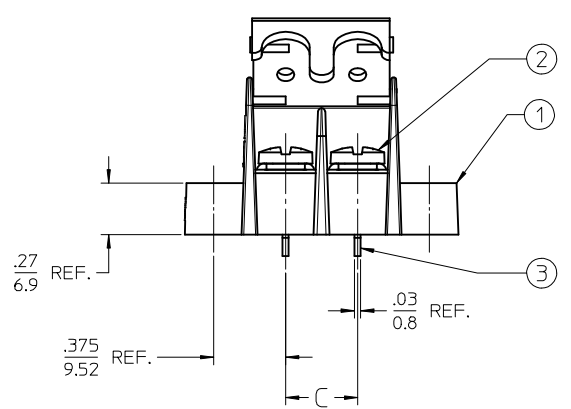


CIRCUITS	PART NO.	ENG. NO.	"A" DIM.	"B" DIM.	"C" DIM.
2	387291586	72R802-H	1.43 [36.3]	1.125 [28.58]	.375 [9.53]



- NOTES:
1. MATERIAL: SEE TABLE
 2. FINISHES: SEE TABLE
 3. ELECTRICAL SPECIFICATIONS
VOLTAGE RATING: 300V
CURRENT RATING: 15 AMPS
 4. TIGHTENING TORQUE: 12 IN LBS.
 5. WIRE RANGE: 12-24AWG
 6. WIRE STRIP: .31 (7.8mm)
 7. UL FILE: E48521
 8. ASSEMBLY IS RoHS COMPLIANT



4	1	HINGED COVER	PBT (UL 94V-0)	BLACK
3	3	TERMINAL	BRASS	7204-2511-A260
2	3	SCREW #6-32 X .250 BINDING HEAD	STEEL	ZINC PLATED
1	1	BARRIER STRIP	PBT (UL 94V-0)	BLACK
ITEM	QTY.	DESCRIPTION	MATERIAL	FINISH

RELEASED EC NO: IPG2014-2007 2014/05/21 DRWINSTONE 2014/05/23 CHKDB RUPERT APPR: JFMURPHY 2014/07/01	QUALITY SYMBOLS	GENERAL TOLERANCES (UNLESS SPECIFIED)	DIMENSION STYLE	SCALE	DESIGN UNITS	THIRD ANGLE PROJECTION
	$\blacktriangledown = 0$ $\blacktriangledown = 0$	mm INCH 4 PLACES ± --- ± --- 3 PLACES ± --- ± --- 2 PLACES ± --- ± .01 1 PLACE ± 0.3 ± --- 0 PLACE ± --- ± ---	IN/MM	2:1	INCH	
		ANGULAR ± 1 °	DRAWN BY	DATE	TITLE	
		DRAFT WHERE APPLICABLE MUST REMAIN WITHIN DIMENSIONS	RSTONE	2014/05/21	SR BTS CS PC MTG-H .375 BARRIER STRIP WITH MTG ENDS AND COVER	
			CHECKED BY	DATE		
			B RUPERT	2014/05/23		
			APPROVED BY	DATE		
			JFMURPHY	2014/07/01		
			MATERIAL NO.	DOCUMENT NO.		
			SEE CHART	SD-38729-072		
			SIZE			
			C			
			THIS DRAWING CONTAINS INFORMATION THAT IS PROPRIETARY TO MOLEX INCORPORATED AND SHOULD NOT BE USED WITHOUT WRITTEN PERMISSION			
						SHEET NO. 1 OF 1