

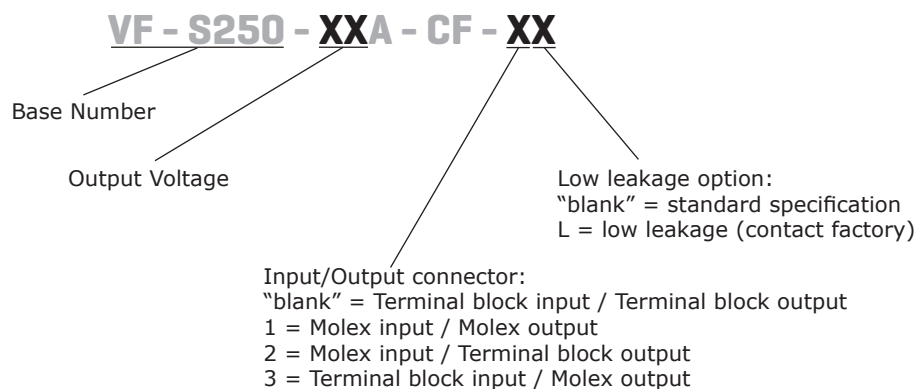
SERIES: VF-S250-XXA-CF | **DESCRIPTION:** AC-DC POWER SUPPLY**FEATURES**

- up to 250 W continuous power
- 600W peak power within 500 μ s duty duration
- metal top cover and fan
- passive power factor correction
- power good signal
- remote on/off control
- 3,000 Vac isolation voltage
- over load, over voltage, over temperature, and short circuit protections
- UL, cUL, and TUV 62368-1 safety approvals
- efficiency up to 83%



| MODEL | output voltage | output current | output power | ripple and noise | efficiency |
|----------------|----------------|----------------|--------------|----------------------------|------------|
| | (Vdc) | max (A) | max (W) | max (mVp-p) ^{1,2} | typ (%) |
| VF-S250-05A-CF | 5 | 40 | 200 | 50 | 75% |
| VF-S250-09A-CF | 9 | 25 | 225 | 90 | 83% |
| VF-S250-12A-CF | 12 | 20.83 | 250 | 120 | 80% |
| VF-S250-15A-CF | 15 | 16.67 | 250 | 150 | 83% |
| VF-S250-18A-CF | 18 | 13.89 | 250 | 180 | 83% |
| VF-S250-24A-CF | 24 | 10.42 | 250 | 240 | 83% |
| VF-S250-28A-CF | 28 | 8.93 | 250 | 280 | 83% |
| VF-S250-36A-CF | 36 | 6.93 | 250 | 360 | 83% |
| VF-S250-48A-CF | 48 | 5.21 | 250 | 480 | 83% |
| VF-S250-54A-CF | 54 | 4.63 | 250 | 540 | 83% |

Notes: 1. 1% minimum load is required to maintain the ripple and regulation.
 2. Ripple and noise is measured from 10 KHz to 20 MHz at output terminals with a 0.1 μ F ceramic capacitor and a 22 μ F electrolytic capacitor in parallel.

PART NUMBER KEY

INPUT

| parameter | conditions/description | min | typ | max | units |
|----------------|---|-----|-----|-----|-------|
| voltage | auto selectable | 90 | | 132 | Vac |
| | | 180 | | 264 | Vac |
| frequency | | 47 | | 63 | Hz |
| current | at 110~120 Vac, cold start | | | 6 | A |
| | at 200~240 Vac, cold start | | | 3 | A |
| inrush current | at 115 Vac, cold start | | | 35 | A |
| | at 230 Vac, cold start | | | 70 | A |
| power factor | compliant to EN 61000-3-2 class A | | | | |
| remote on/off | designated as RMSW on the CN1, requires a low signal to inhibit output, off behavior: hiccup mode | | | | |

OUTPUT

| parameter | conditions/description | min | typ | max | units |
|---------------------|---|-----|-----|-----|-------|
| regulation | | | ±1 | | % |
| transient response | output voltage returns to within 1% in less than 2.5 ms for a 50% load change peak transient does not exceed 5%. | | | | |
| start-up time | at 230 Vac | | | 1 | s |
| hold-up time | at 80% of rated maximum load | 20 | | | ms |
| adjustability | | | ±5 | | % |
| switching frequency | fixed | | 25 | | kHz |
| power good | designated as PG on the CN1, signal goes high 100~500 ms after the output reaches regulation, signal goes low at least 1 ms before loss of regulation (open collector). | | | | |
| fan drive | 12 Vdc / 300 mA for external fan | | | | |

PROTECTIONS

| parameter | conditions/description | min | typ | max | units |
|-----------------------------|---|-----|-----|-----|-------|
| over voltage protection | AC input needs to be reset to restart the power supply | | | 130 | % |
| over current protection | automatically recovers | 110 | | 140 | % |
| short circuit protection | short circuit can be continuous, recovers automatically | | | | |
| over temperature protection | auto recovery | | 110 | | °C |

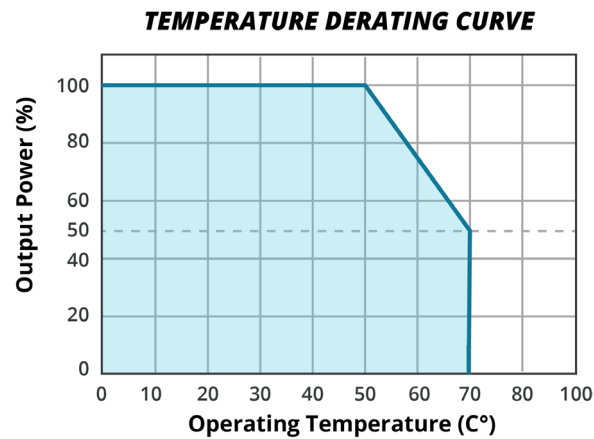
SAFETY & COMPLIANCE

| parameter | conditions/description | min | typ | max | units |
|-------------------|--|---------|-----|-----|-------|
| isolation voltage | for 3 seconds at 10 mA max | | | | |
| | primary to secondary: | 3,000 | | | Vac |
| | primary to transformer core: | 1,500 | | | Vac |
| | primary to earth chassis: | 1,500 | | | Vac |
| safety approvals | IEC/EN/UL 62368-1 | | | | |
| EMI/EMC | EN 55032 Class B conducted / radiated, EN 61000-3-2, EN 61000-3-3, EN 55024 (IEC 61000-4-2, IEC 61000-4-3, IEC 61000-4-4, IEC 61000-4-5, IEC 61000-4-6, IEC 61000-4-8, IEC 61000-4-11) | | | | |
| leakage current | standard model at 264 Vac | | | 1 | mA |
| | low-leakage model at 240 Vac | | | 500 | µA |
| | low-leakage model at 120 Vac | | | 300 | µA |
| RoHS | yes | | | | |
| MTBF | according to MIL-HDBK-217 at 30°C | 100,000 | | | hrs |

ENVIRONMENTAL

| parameter | conditions/description | min | typ | max | units |
|-----------------------|---|-----|-----|-----|-------|
| operating temperature | | 0 | | 70 | °C |
| storage temperature | | -20 | | 85 | °C |
| operating humidity | non-condensing | 5 | | 90 | % |
| storage humidity | non-condensing | 5 | | 95 | % |
| vibration | acceleration ± 7.35 M/(SxS), on X, Y and Z Axis | 5 | | 50 | Hz |

DERATING CURVES



MECHANICAL

| parameter | conditions/description | min | typ | max | units |
|------------|------------------------|-----|-----|-----|--------|
| dimensions | 5(L) x 3.2(W) x 2(H) | | | | inches |
| weight | | | | 500 | g |

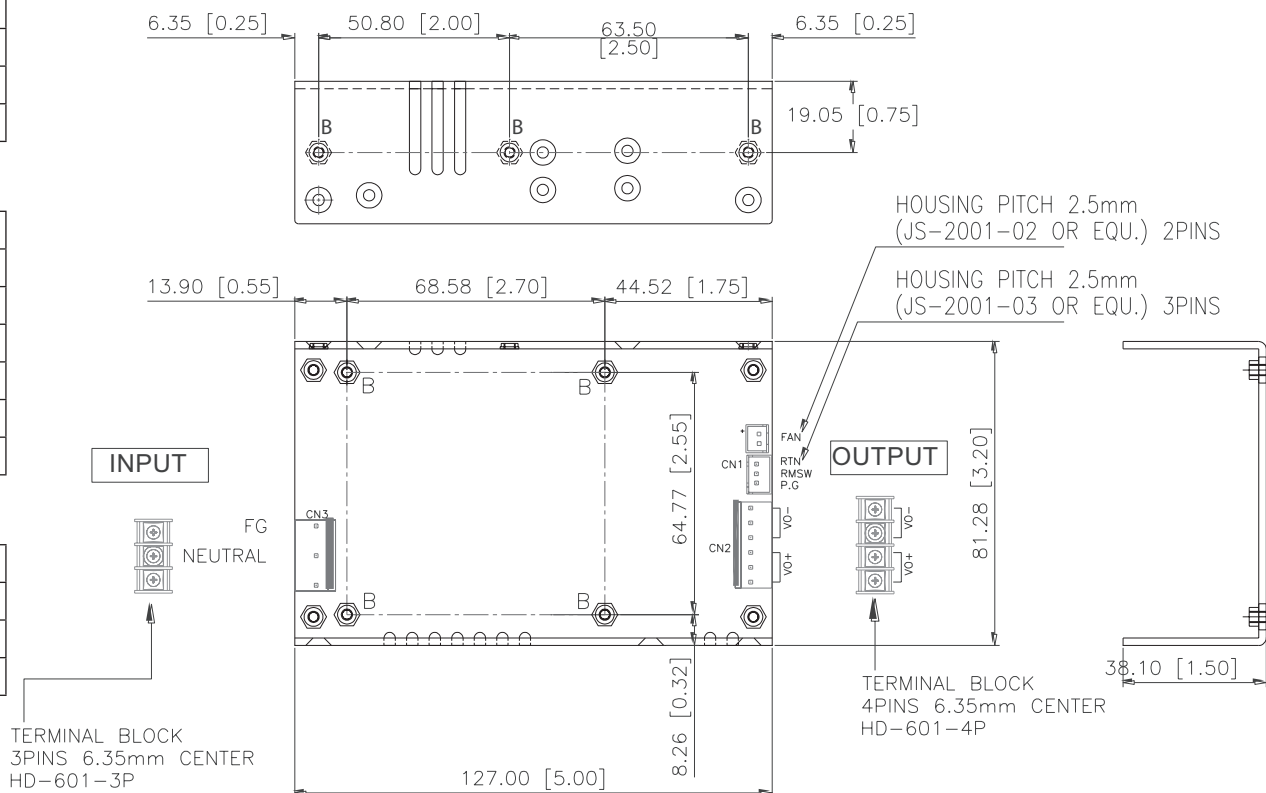
MECHANICAL DRAWING

units: mm

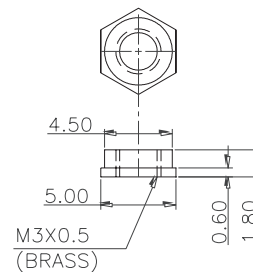
| CN1 | |
|-----|------------|
| 1 | ground |
| 2 | ac neutral |
| 3 | ac line |

| CN2 | |
|-----|-----|
| 1 | Vo+ |
| 2 | Vo+ |
| 3 | Vo+ |
| 4 | Vo- |
| 5 | Vo- |
| 6 | Vo- |

| CN3 | |
|-----|---------------|
| 1 | Power Good |
| 2 | remote switch |
| 3 | RTN |



B: MOUNTING HOLE 7 PLACES
 SCALE: 4:1
 MAXIMUM PENETRATION LENGTH=2.1MM



- Notes:
1. CN1 mates with molex part no. 09-93-0500 and molex 2478, 2578, 8818 crimp pins.
 2. CN2 mates with molex part no. 09-93-0600 and molex 2478, 2578, 8818 crimp pins.
 3. CN3 mates with JST part no. XHP-3 or equivalent (Chyao Shiunn JS-2001-03) and JST SXH-002T-P0.6 mating pins
 4. Fan drive connector mates with JST part no. XHP-2 or equivalent
 5. Mounting hole maximum M3 screw penetration depth is 2.1 mm.

REVISION HISTORY

| rev. | description | date |
|------|--|------------|
| 1.0 | initial release | 05/05/2009 |
| 1.01 | new template applied | 12/17/2011 |
| 1.02 | V-Infinity branding removed | 08/28/2012 |
| 1.03 | updated Molex mating connector part numbers | 07/18/2013 |
| 1.04 | updated spec | 08/13/2013 |
| 1.05 | updated to be certified to 62368-1 safety standard | 07/02/2019 |
| 1.06 | company logo updated | 12/22/2020 |
| 1.07 | updated remote on/off line & derating curve | 04/26/2021 |

The revision history provided is for informational purposes only and is believed to be accurate.



CUI INC

a bel group

Headquarters
20050 SW 112th Ave.
Tualatin, OR 97062
800.275.4899

Fax 503.612.2383
cui.com
techsupport@cui.com

CUI offers a two (2) year limited warranty. Complete warranty information is listed on our website.

CUI reserves the right to make changes to the product at any time without notice. Information provided by CUI is believed to be accurate and reliable. However, no responsibility is assumed by CUI for its use, nor for any infringements of patents or other rights of third parties which may result from its use.

CUI products are not authorized or warranted for use as critical components in equipment that requires an extremely high level of reliability. A critical component is any component of a life support device or system whose failure to perform can be reasonably expected to cause the failure of the life support device or system, or to affect its safety or effectiveness.