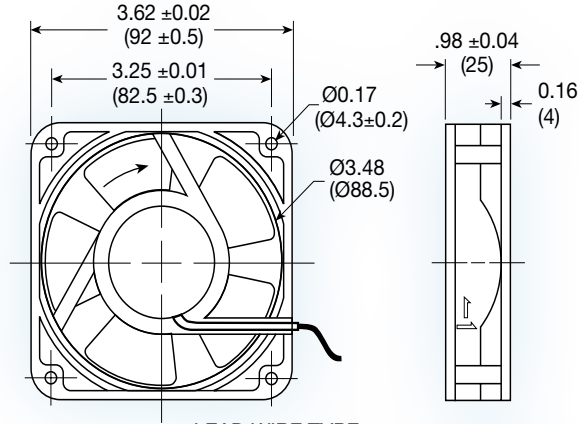
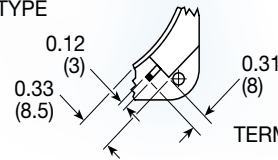


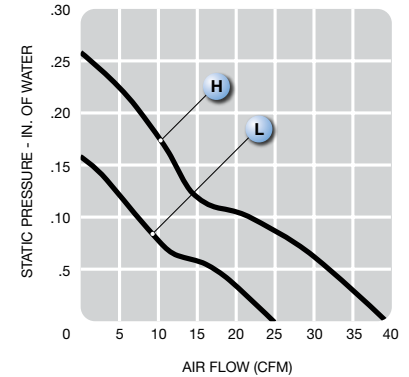
UF92B series



LEAD WIRE TYPE



TERMINAL TYPE



(92 x 92 x 25 mm)

3.62 x 3.62 x 0.98 inches

Operating voltage: 115 or 230 VAC

Construction: aluminum die cast frame;
UL94V-0 PBT impeller

Bearing option: ball bearing or sintered bronze sleeve

Motor: shaded pole

Air Flow: exhaust over struts

Connection: terminal or 22 AWG lead wire

Protection: impedance

Option: dual voltage 115/230VAC

Model No.	Rated Voltage	Freq. HZ	Input Power W	Rated Cur. A	Locked Cur. A	Speed RPM	Air Volume		Max. Static Pressure (H ₂ O)		Sound Noise dbA	Weight kg
	V						M ³ /Min.	CFM	MM	INCH		
UF92B12-__H	115	60	11	0.12	0.13	3,000	1.13	40	6.5	0.26	36	0.28
UF92B23-__H	230	60	14	0.07	0.08	3,000	1.13	40	6.5	0.26	36	0.28
UF92B12-__L	115	60	11	0.11	0.12	2,300	0.70	25	4.0	0.16	32	0.28
UF92B23-__L	230	60	14	0.06	0.07	2,300	0.70	25	4.0	0.16	32	0.28