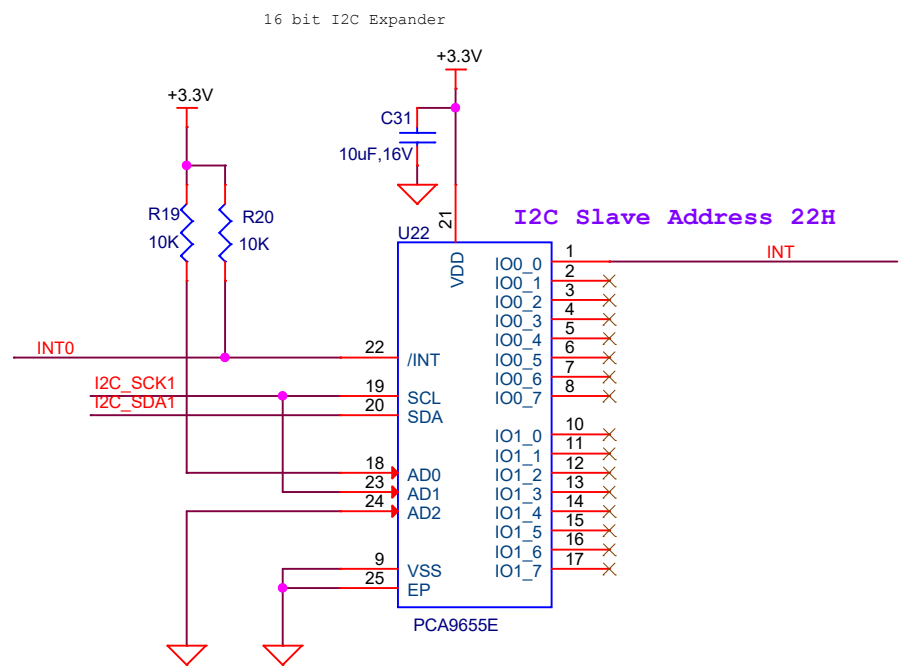
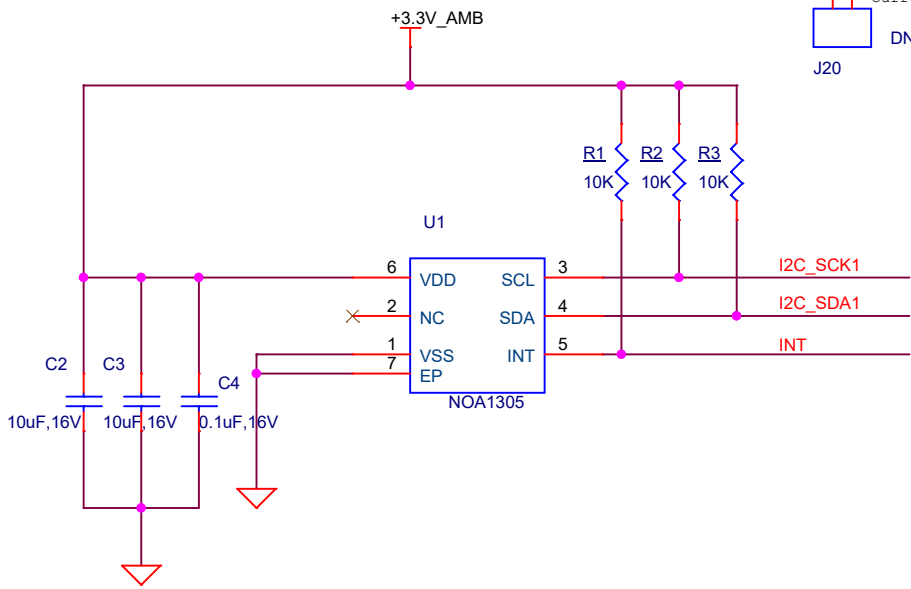
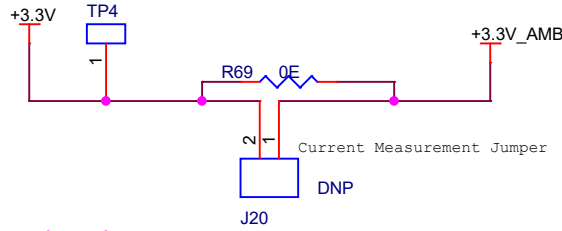
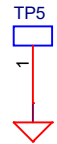
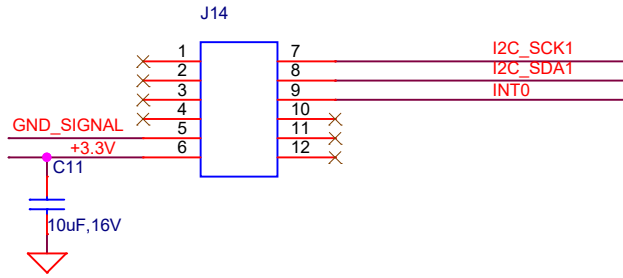


PMOD Connector Mating P/N
PPPC062LJBN-RC
in base Board

AMBIENT SENSOR



To avoid additional connector for I2C the bottom unused row of PMOD Connector is used
Need to add onsemi protection diode for I2C

IDK AMBIENT SENSOR SHEILD		
Title <IDK>		
Size A4	Document Number <Doc>	Rev <A>
Date: Thursday, November 10, 2016	Sheet 1	of 1