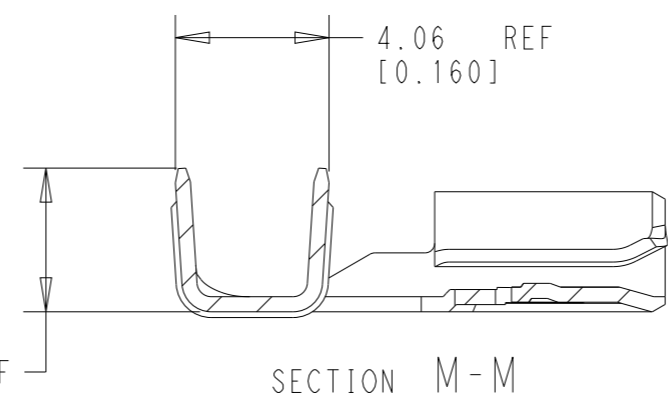
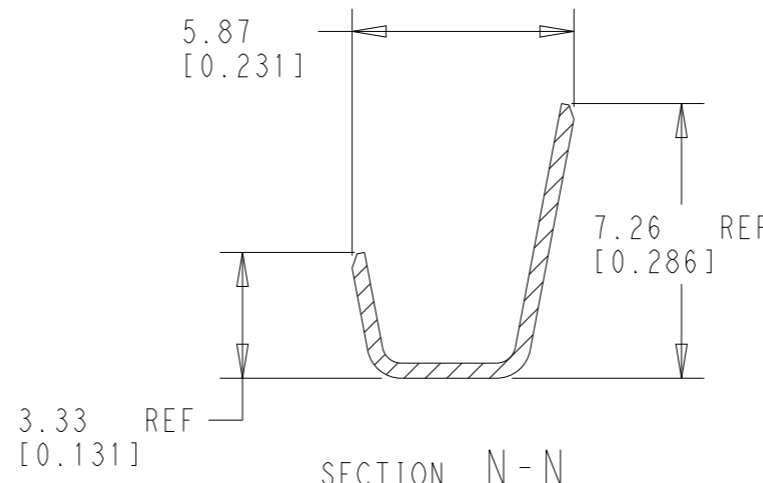
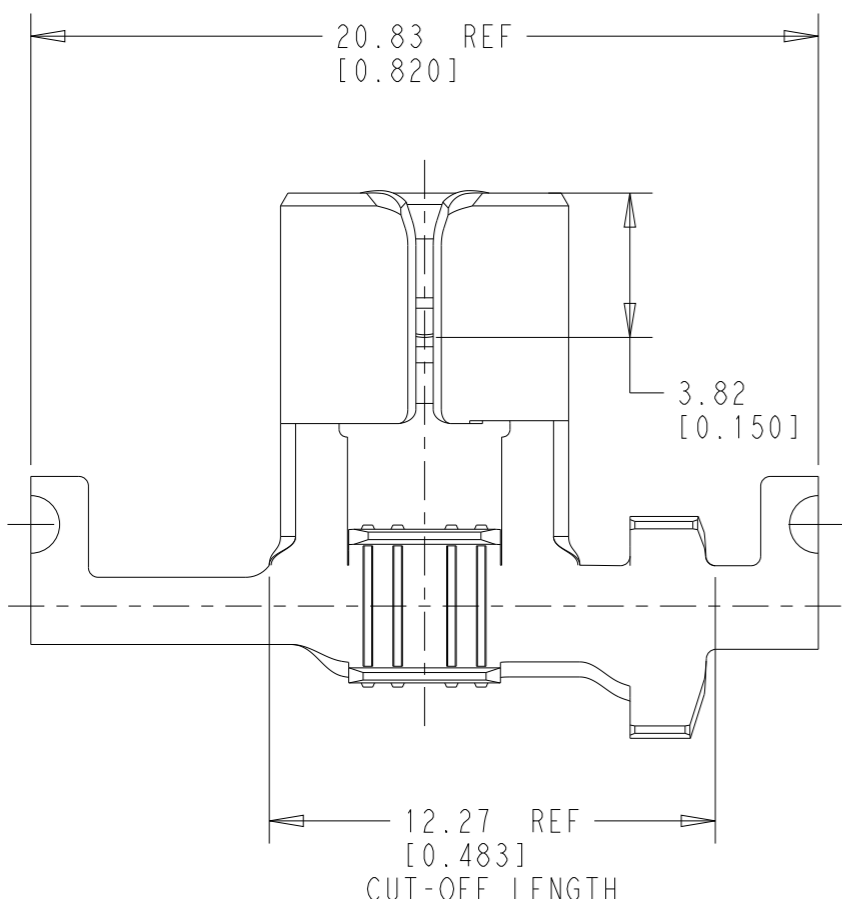


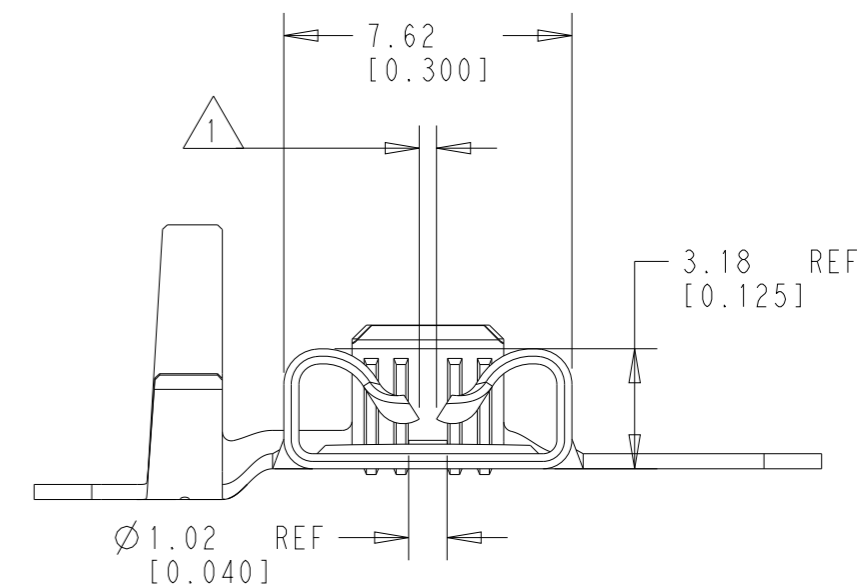
© 2020 TE Connectivity. All Rights Reserved.

REVISIONS

P	LTR	DESCRIPTION	DATE	DWN	APVD
	A	RELEASED PER ECN-21-100667	17FEB2021	BKW	DH
	A1	REVISED PER ECR-21-109821	27JUL2021	AA	DH
	B	REVISED PER ECR-21-111880	30AUG2021	BKW	DH




- 1 CONTACT ROLLS TO NOT TOUCH ONE ANOTHER
- 2. WIRE RANGE: 16-12 AWG
INSULATION RANGE: .120-.170
- 3. CONTINUOUS STRIP ON REELS
- 4. MATING TAB THICKNESS IS 0.81±0.025 [0.032±.001]



DIMPLE WIDTH FOR USE WITH 2.0 [.080] TO 1.6 [.063] TAB HOLE]

PRE-TIN	BRASS	2375768-3
PLAIN	BRASS	2375768-2
FINISH	MATERIAL	PART NUMBER

THIS DRAWING IS A CONTROLLED DOCUMENT.		DWN B. WEAVER 14JUL2020	 TE Connectivity NAME FASTON RECEPTACLE, RIGHT HAND FLAG, 250 SERIES
DIMENSIONS: mm [IN]		CHK D. HUMPHREY 14JUL2020	
TOLERANCES UNLESS OTHERWISE SPECIFIED:		APVD W. MOYER 14JUL2020	
0 PLC ±- 1 PLC ±- 2 PLC ±0.25 [.010] 3 PLC ±- 4 PLC ±- ANGLES ±- FINISH ±-		PRODUCT SPEC -	
MATERIAL SEE TABLE	FINISH SEE TABLE	APPLICATION SPEC -	SIZE A3
		WEIGHT -	CAGE CODE 00779
		CUSTOMER DRAWING	DRAWING NO C-2375768
		SCALE 5:1	RESTRICTED TO -
		SHEET 1 OF 1	REV B