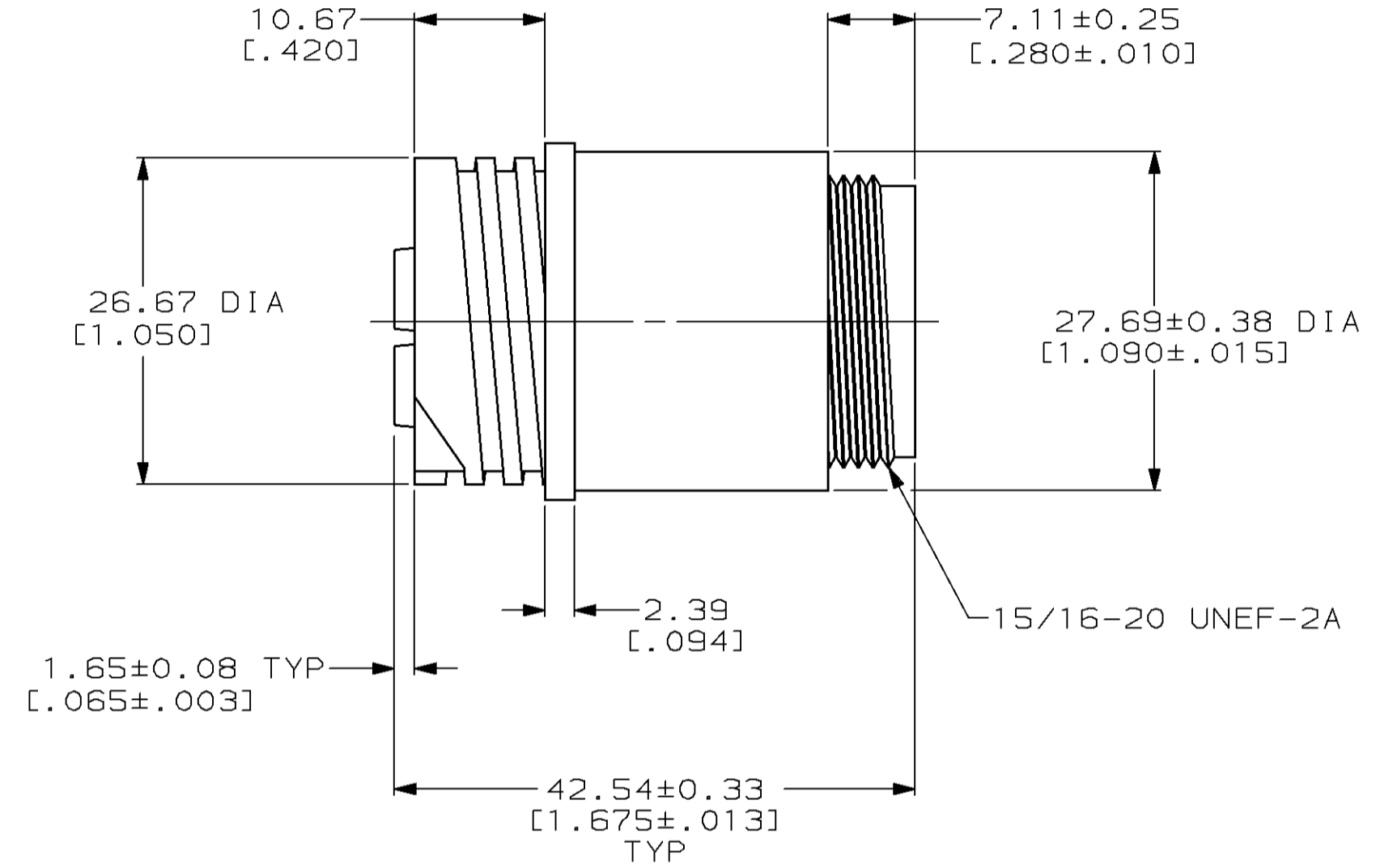
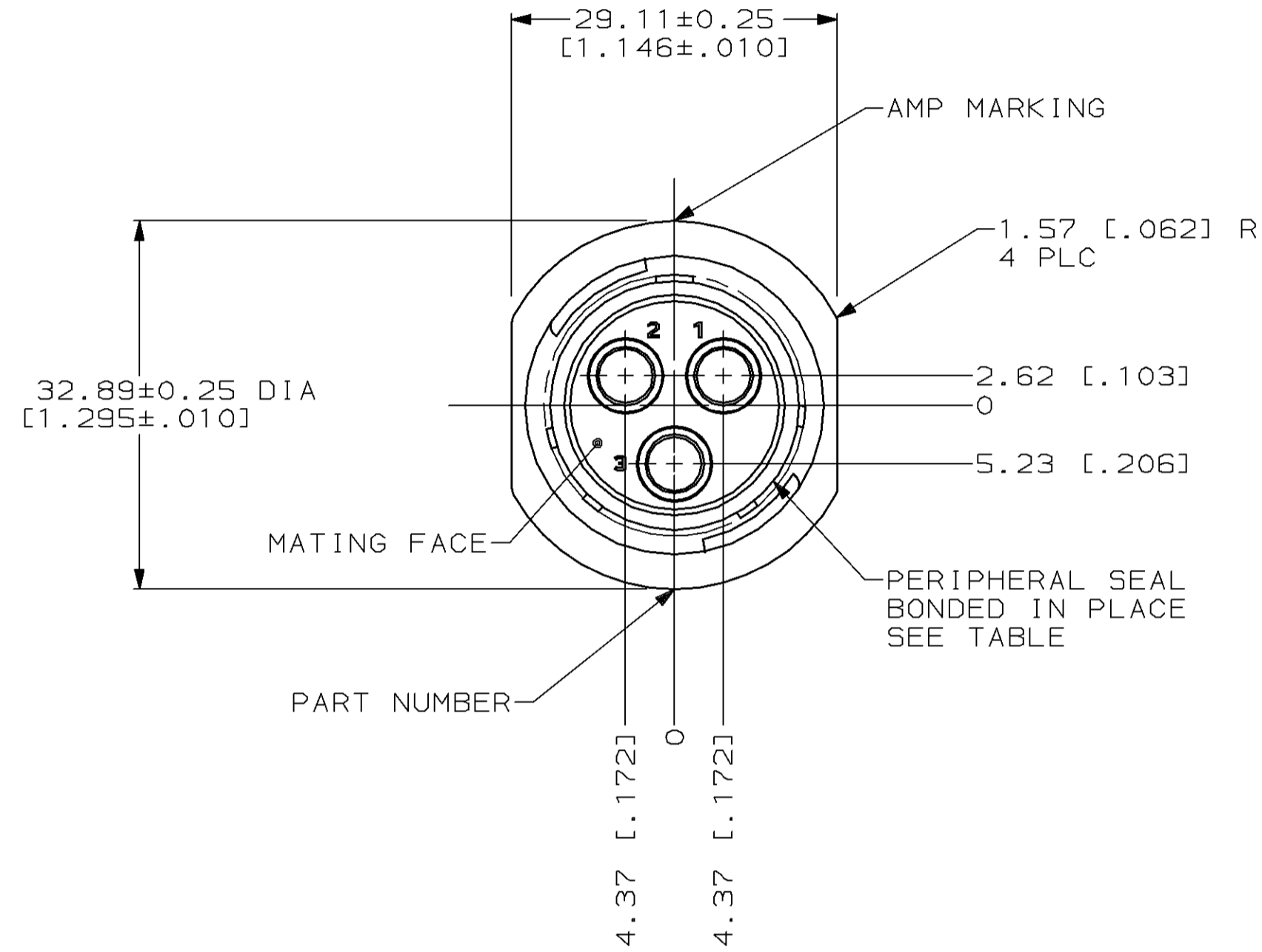


THIS DRAWING IS UNPUBLISHED. RELEASED FOR PUBLICATION  
 BY AMP INCORPORATED. ALL RIGHTS RESERVED.

LOC	DIST	REVISIONS					
		P	LTR	DESCRIPTION	DATE	DWN	APVD
BD	35			RELEASED -1 PER NPR 5365, WAS 95-7970-19	06/23/95	-	-
		A		ADDED -2 AND REVISED PER EC 0020-900-95	15 SEP 95	DH	AF



YES	213890-2
NO	213890-1
PERIPHERAL SEAL	PART NUMBER

THIS DRAWING IS A CONTROLLED DOCUMENT FOR AMP INCORPORATED. IT IS SUBJECT TO CHANGE AND THE CONTROLLING ENGINEERING ORGANIZATION SHOULD BE CONTACTED FOR THE LATEST REVISION.		DWN	06/23/95	AMP Incorporated Harrisburg, PA 17105-3608
DIMENSIONS: mm [INCHES]		CHK	06/29/95	
TOLERANCES UNLESS OTHERWISE SPECIFIED:		APVD	06/29/95	
0 PLC ±- 1 PLC ±- 2 PLC ±0.13 [.005] 3 PLC ±- 4 PLC ±- ANGLES ±- FINISH -		NAME A.FRANTUM PRODUCT SPEC 108-1579 APPLICATION SPEC - WEIGHT - CUSTOMER DRAWING		
MATERIAL NYLON, BLACK		SCALE		SIZE A2 CAGE CODE 00779 DRAWING NO C-213890 SHEET 1 OF 1 REV A

213890