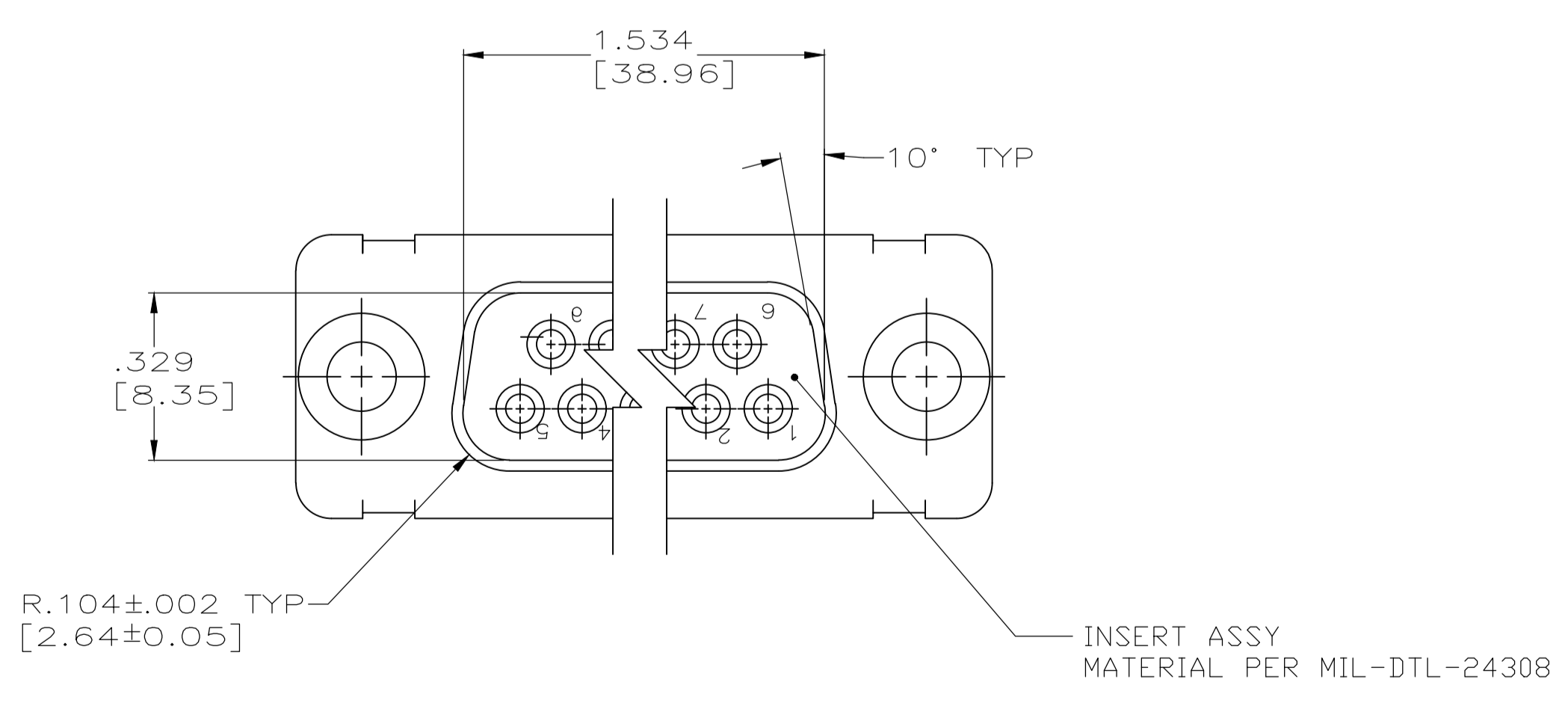
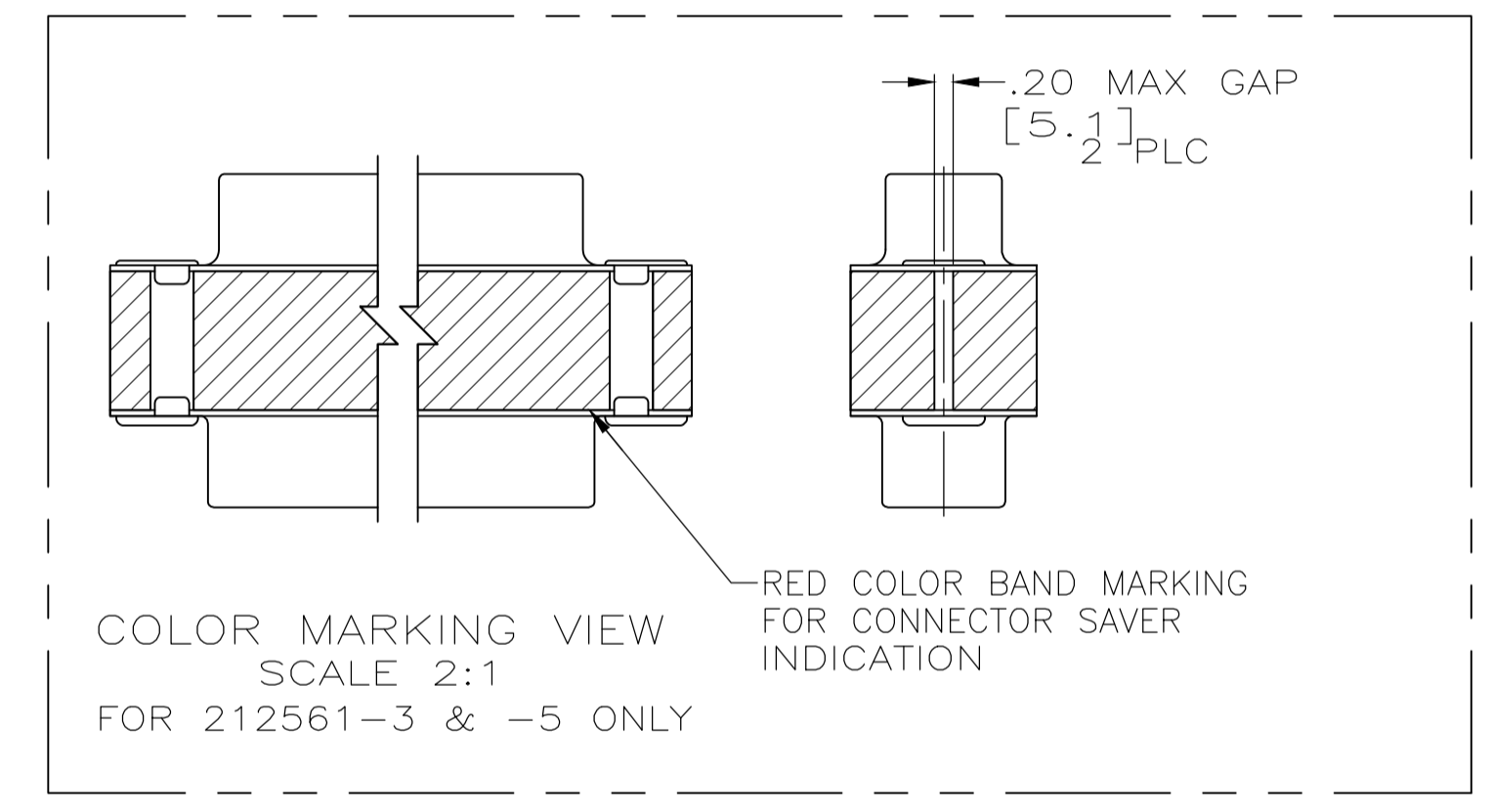
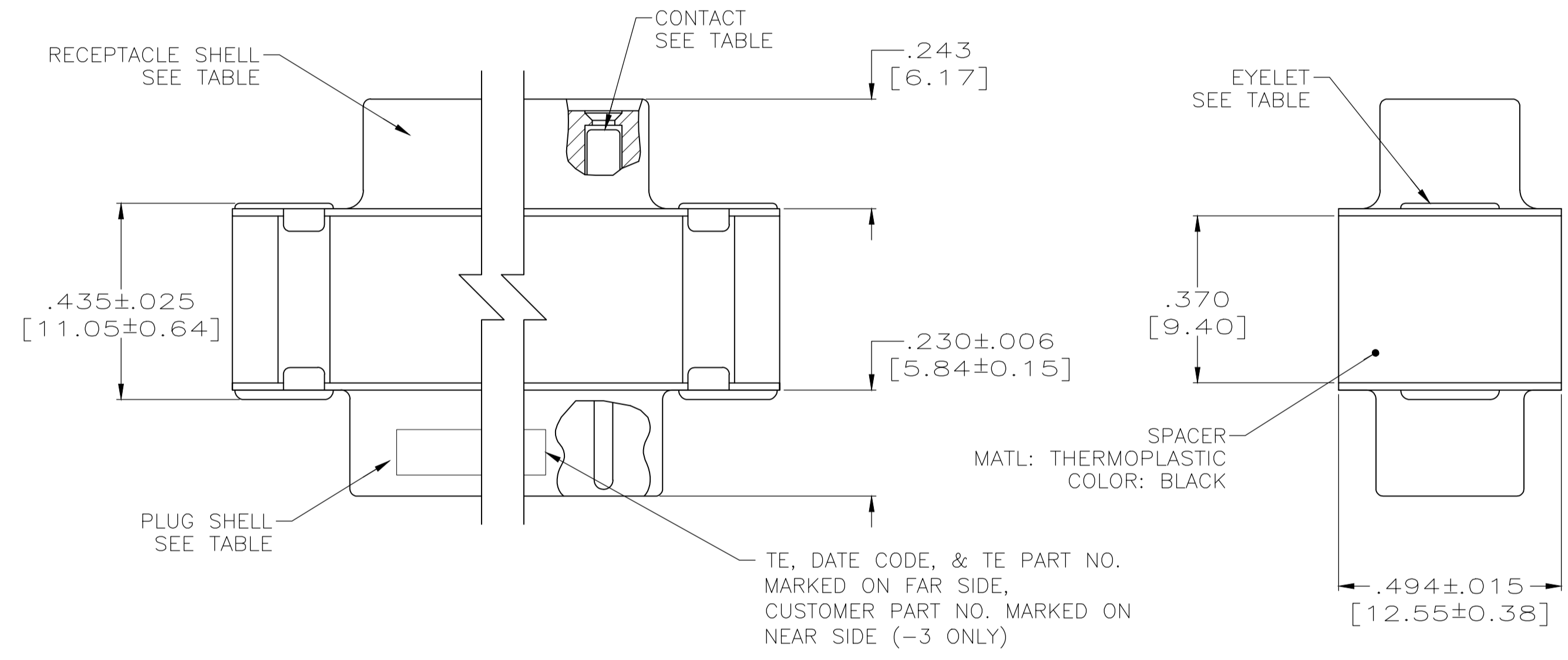
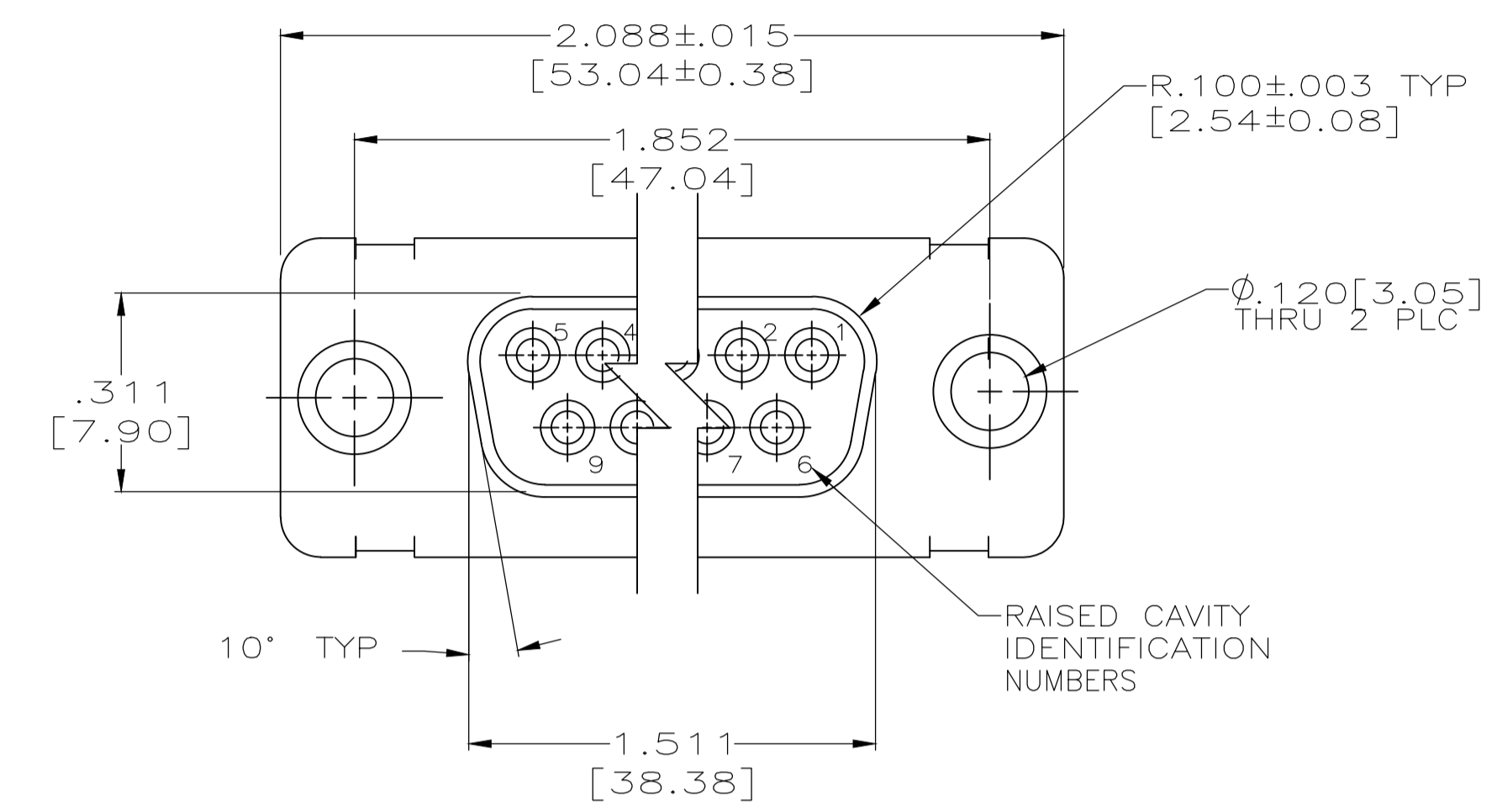


REVISIONS					
P	LTR	DESCRIPTION	DATE	DMN	APVD
T	REV PER ECO	19-019228	4-17-20	CT	DM



- 1. CONTACTS INCLUDED IN ASSEMBLY.
- △ MATL: STEEL, PER ASTM-A-109.
- △ FINISH: CADMIUM PER QQ-P-416.
- △ CONTACT
- BODY MATL: BERYLLIUM COPPER PER ASTM-B-197.
- BODY FINISH: PLATED GOLD, .000050 MIN THK PER MIL-G-45204 OVER NICKEL, .000050 MIN THK PER QQ-N-290.
- HOOD MATL: STAINLESS STEEL PER ASTM-A-167.
- HOOD FINISH: PASSIVATED PER ASTM-A-380
- △ FINISH: PLATED ZINC .00020 MIN THK PER ASTM-B-633. YELLOW CHROMATE FINISH.
- △ MATL: BRASS PER ASTM-B-36.
- △ FINISH: PLATED GOLD, .000050 MIN THK PER MIL-G-45204 OVER COPPER, .000100 MIN THK PER MIL-C-14550.
- △ CONTACT
- BODY MATL: BERYLLIUM COPPER PER ASTM-B-197.
- BODY AND HOOD FINISH: PLATED GOLD, .000050 MIN THK PER MIL-G-45204 OVER COPPER, .000100 MIN THK PER MIL-C-14550.
- HOOD MATL: BRASS PER ASTM-B-36
- △ FINISH: PLATED ZINC PER ASTM-B-633 .000200 MIN THK WITH SUPPLEMENTARY CHROMATE (Cr3+).

△ △	△ △	△	-	5-212561-1
△ △	△ △	△	PT2-111-9	212561-6
△ △	△ △	△	4U884 SOCN R10002677-0103	212561-5
△ △	△ △	△	-	212561-4
△ △	△ △	△	(1J02-103)	212561-3
△ △	△ △	△	-	212561-2
△ △	△ △	△	-	212561-1
EYELET	SHELLS	CONTACT	CUSTOMER P/N	PART NO.

THIS DRAWING IS A CONTROLLED DOCUMENT. **TE** THOMPSON 11-07-94

CHK: D. MANTIONE NAME: CONNECTOR SAVER, AMPLIMITE 25 POSITION, SIZE 3, SERIES 109

APVD: D. MANTIONE PRODUCT SPEC: -

APPLICATION SPEC: -

MATERIAL: - FINISH: - WEIGHT: 0.000000 A1 00779 C=212561

CUSTOMER DRAWING SCALE: 4:1 SHEET: 1 OF 1 REV: T