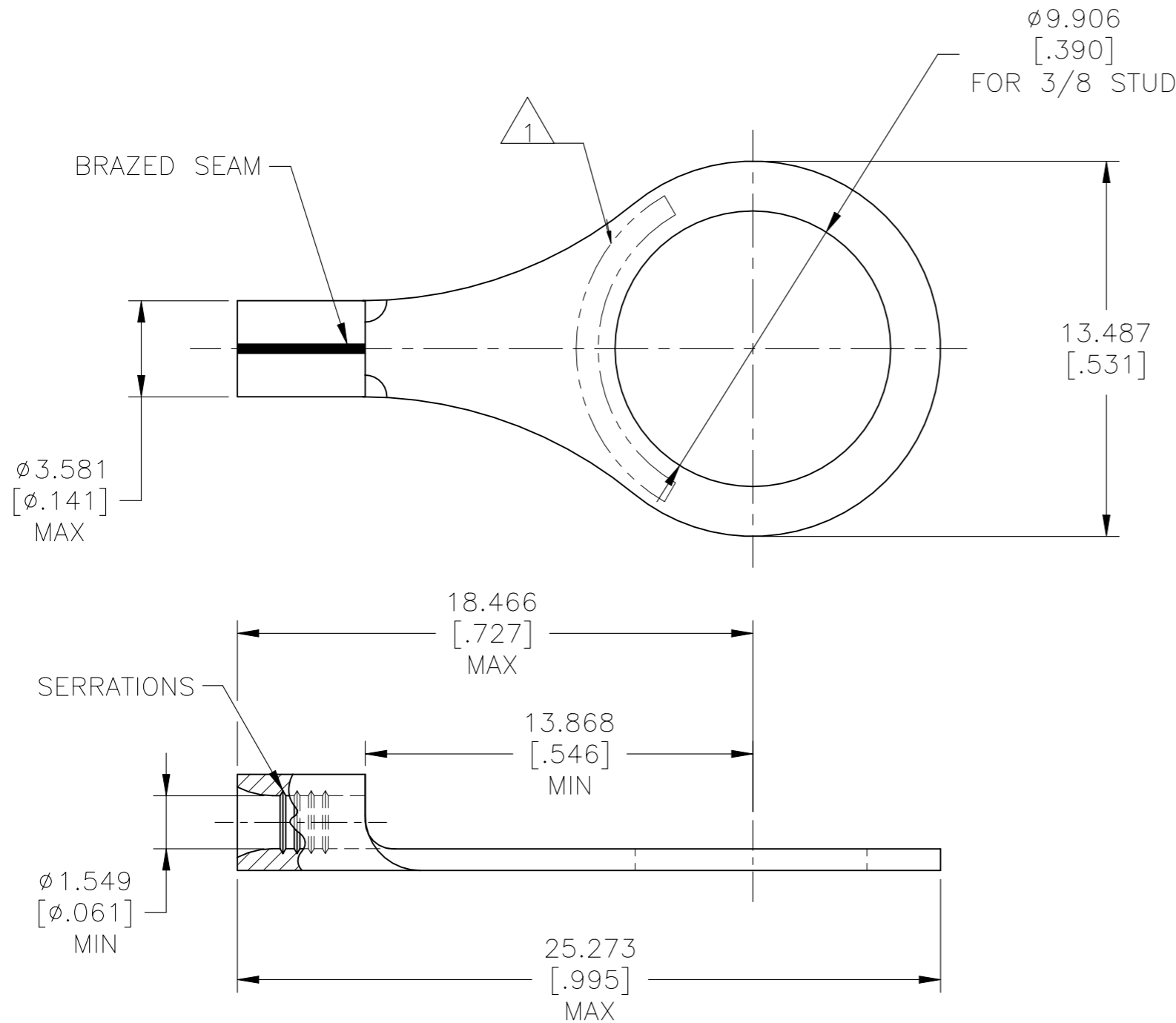


| P | LTR | DESCRIPTION               | DATE      | DWN | APVD |
|---|-----|---------------------------|-----------|-----|------|
|   | G3  | REVISED PER ECR-22-161954 | 11JAN2023 | LP  | DSC  |



|                                |                                |
|--------------------------------|--------------------------------|
| <b>AMP</b><br>WIRE RANGE       | E13288<br>Listed               |
| 22-16 AWG<br>SOLID OR STRANDED | 22-16 AWG<br>SOLID OR STRANDED |

|                                |
|--------------------------------|
| LR7189<br>Certified            |
| 22-16 AWG<br>SOLID OR STRANDED |

- 1 STAMP AMP 22-18\* APPROX AS SHOWN  
WIRE RANGE IS 22-16 AWG
- 2 TIN PLATE 0.00254[.000100] MIN EXT THK PER ASTM B545
- 3 NICKEL PLATE 0.00762[.000300] MIN EXT THK PER  
SAE AMS-QQ-N-290
- 4 P/N 34115-1 IS NOT UL OR CSA APPROVED
- 5 MATERIAL: COPPER PER ASTM B152, ANNEALED
- 6 BODY MATERIAL THK: 0.787±0.051[.031±.002]

| FINISH | QTY. | PACKAGE TYPE     | PART NUMBER |
|--------|------|------------------|-------------|
| 3      | 1000 | LOOSE PIECE      | 4 34115-1   |
| 2      | 100  | LOOSE PIECE, BOX | 8-34115-1   |
| 2      | 5000 | TAPE & REEL      | 2-34115-2   |
| 2      | 1000 | LOOSE PIECE      | 34115       |

AMP INCORPORATED  
CUSTOMER SERVICE SYSTEMS

THIS DRAWING IS A CONTROLLED DOCUMENT.

|                  |              |         |
|------------------|--------------|---------|
| DWN              | TA BRINKMAN  | 3-10-93 |
| CHK              | DA PATTERSON | 3-10-93 |
| APVD             | DE MILLER    | 3-10-93 |
| PRODUCT SPEC     | NAME         |         |
| APPLICATION SPEC | UL 486A-B    |         |
| WEIGHT           | -            |         |
| CUSTOMER DRAWING |              |         |



TERMINAL, RING TONGUE, SOLISTRAND  
WIRE SIZE: 22-16 AWG

|   |  |
|---|--|
| FOR ADDITIONAL<br>PRODUCT INFORMATION OR<br>COPIES OF DRAWINGS<br>AND TECHNICAL DOCUMENTS | PRODUCT INFORMATION CENTER<br>1-800-522-6752 |
| FOR APPLICATION<br>TOOLING INFORMATION  | TOOLING ASSISTANCE CENTER<br>1-800-722-1111  |
| FOR ORDER ENTRY   | 1-800-526-5142                               |

MAX RECOMMENDED OPERATING  
TEMPERATURE:  
170°C [338°F] MAX

VOLTAGE RATING:  
NOT APPLICABLE

WIRE CROSS SECTIONAL AREA RANGE,  
0.26-1.65mm<sup>2</sup>[509-3,260] CIR MILS  
SOLID OR STRANDED

|                            |   |
|----------------------------|---|
| DIMENSIONS:<br>mm [INCHES] | TOLERANCES UNLESS<br>OTHERWISE SPECIFIED: |
|                            | 0 PLC ± -                                 |
|                            | 1 PLC ± -                                 |
|                            | 2 PLC ± -                                 |
|                            | 3 PLC ± 0.127[.005]                       |
|                            | 4 PLC ± -                                 |
|                            | ANGLES ± -                                |
| MATERIAL                   | FINISH                                    |
| 5                          | SEE TABLE                                 |

|           |           |              |               |
|-----------|-----------|--------------|---------------|
| SIZE      | CAGE CODE | DRAWING NO   | RESTRICTED TO |
| A3        | 00779     | C-34115      | -             |
| SCALE 8:1 |           | SHEET 1 OF 1 | REV G3        |