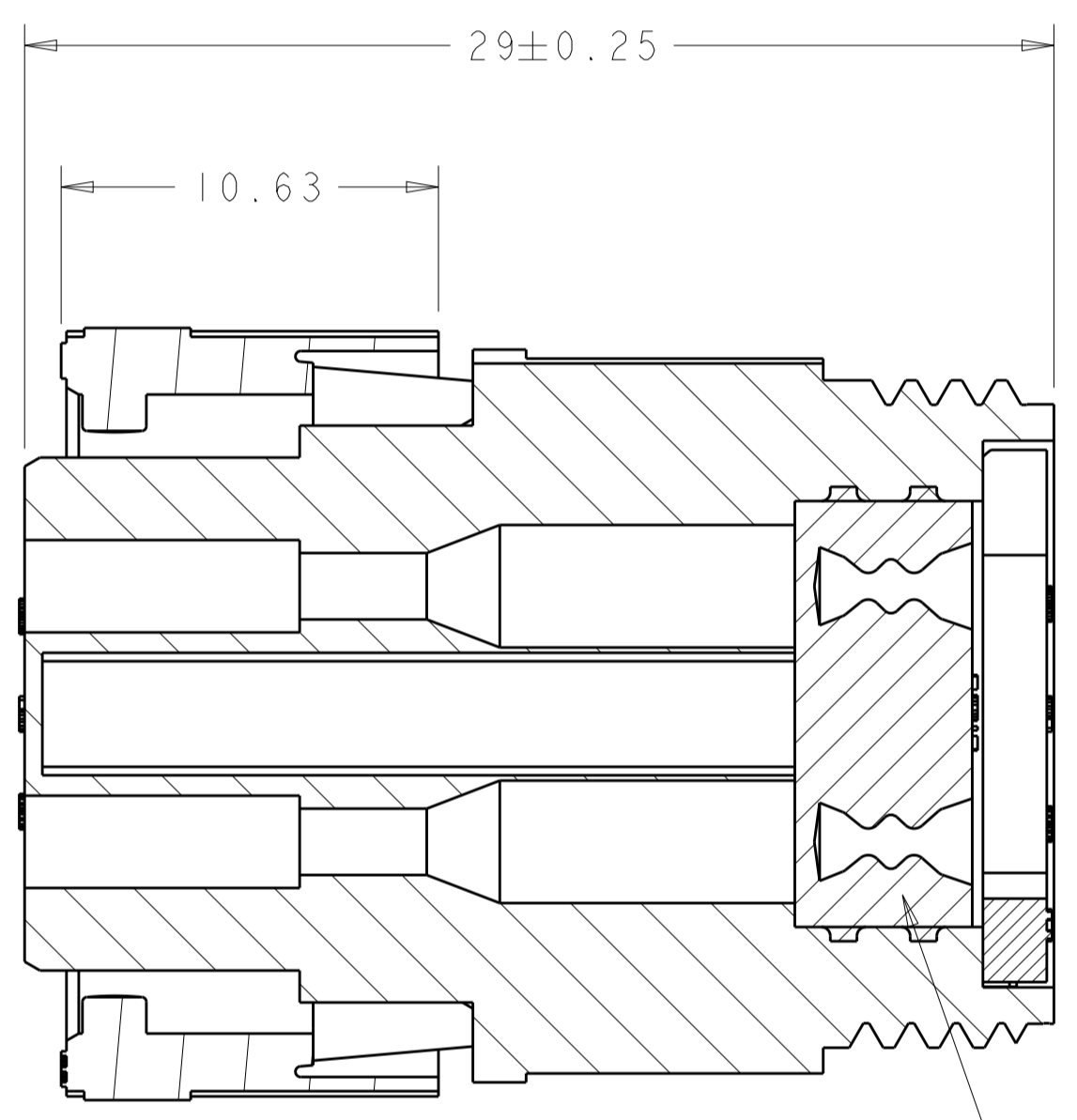
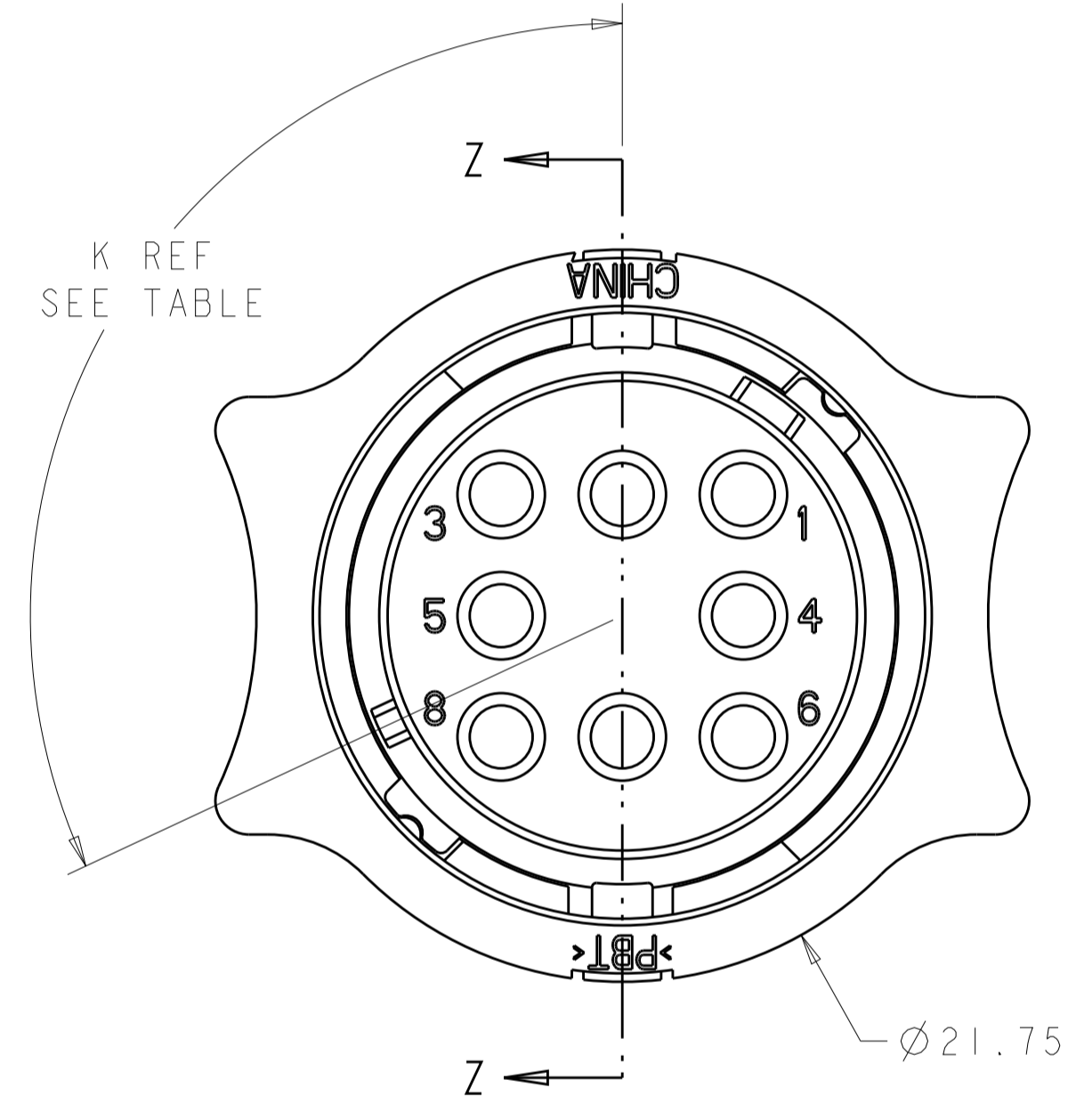
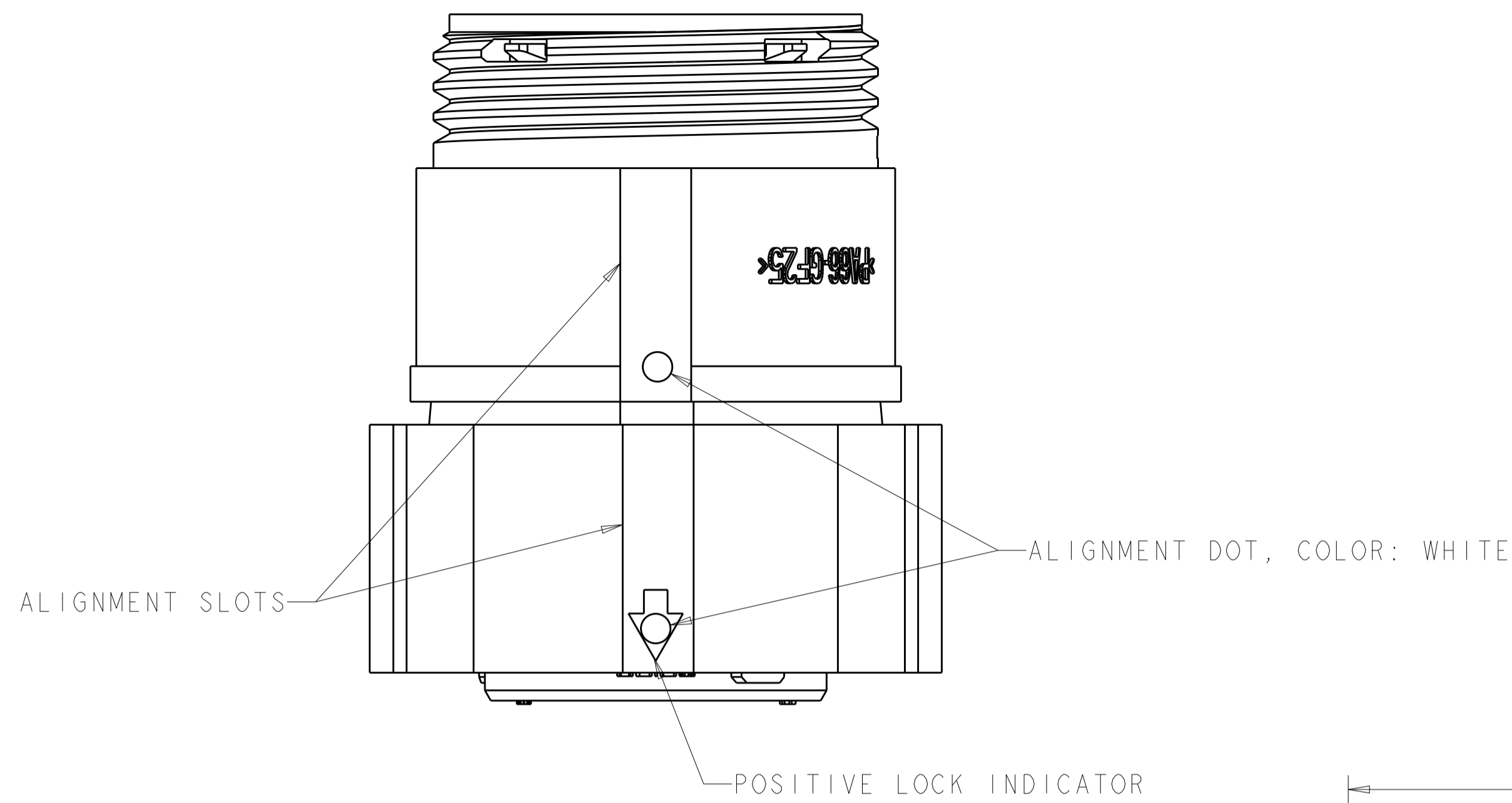
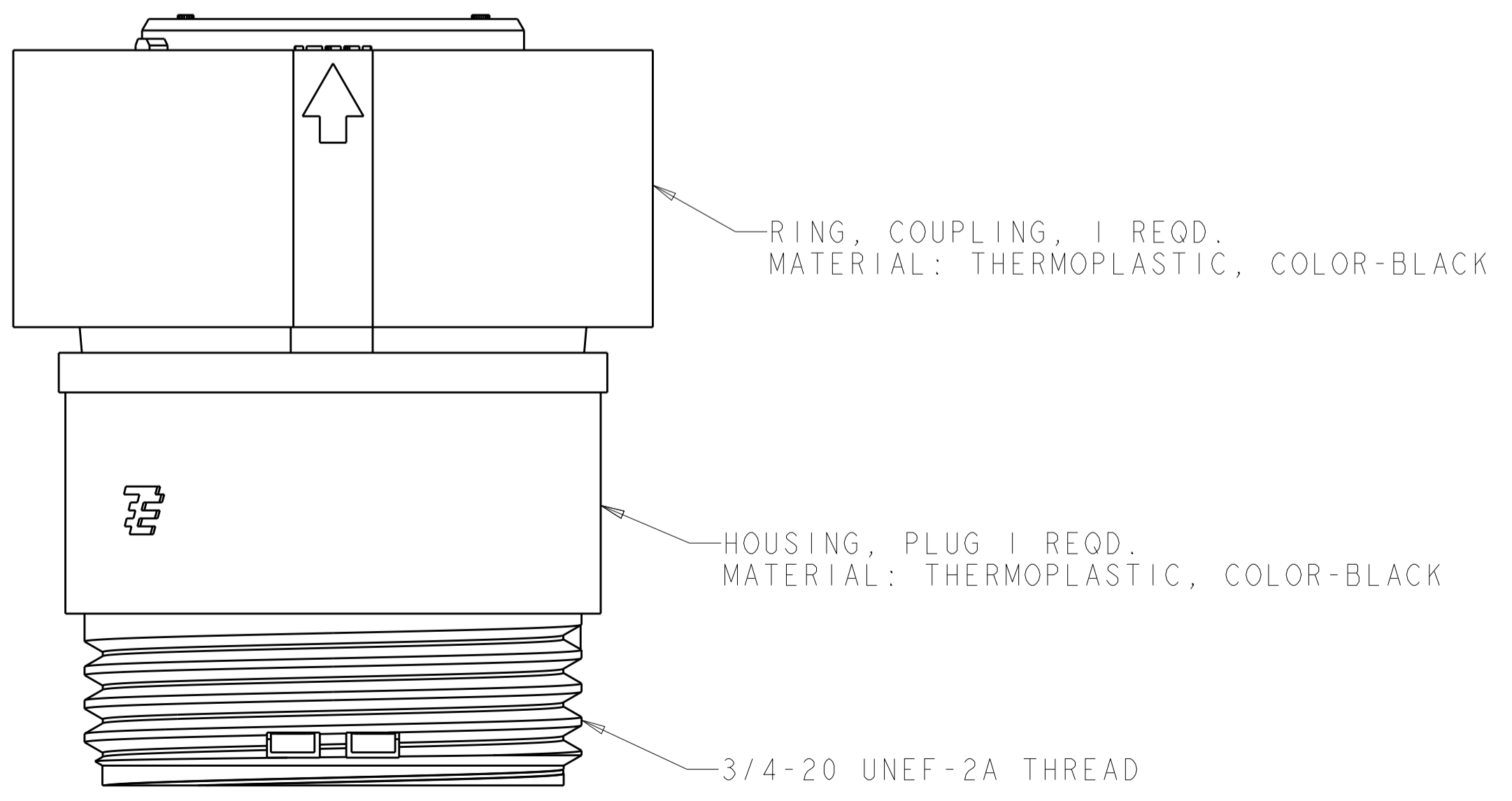
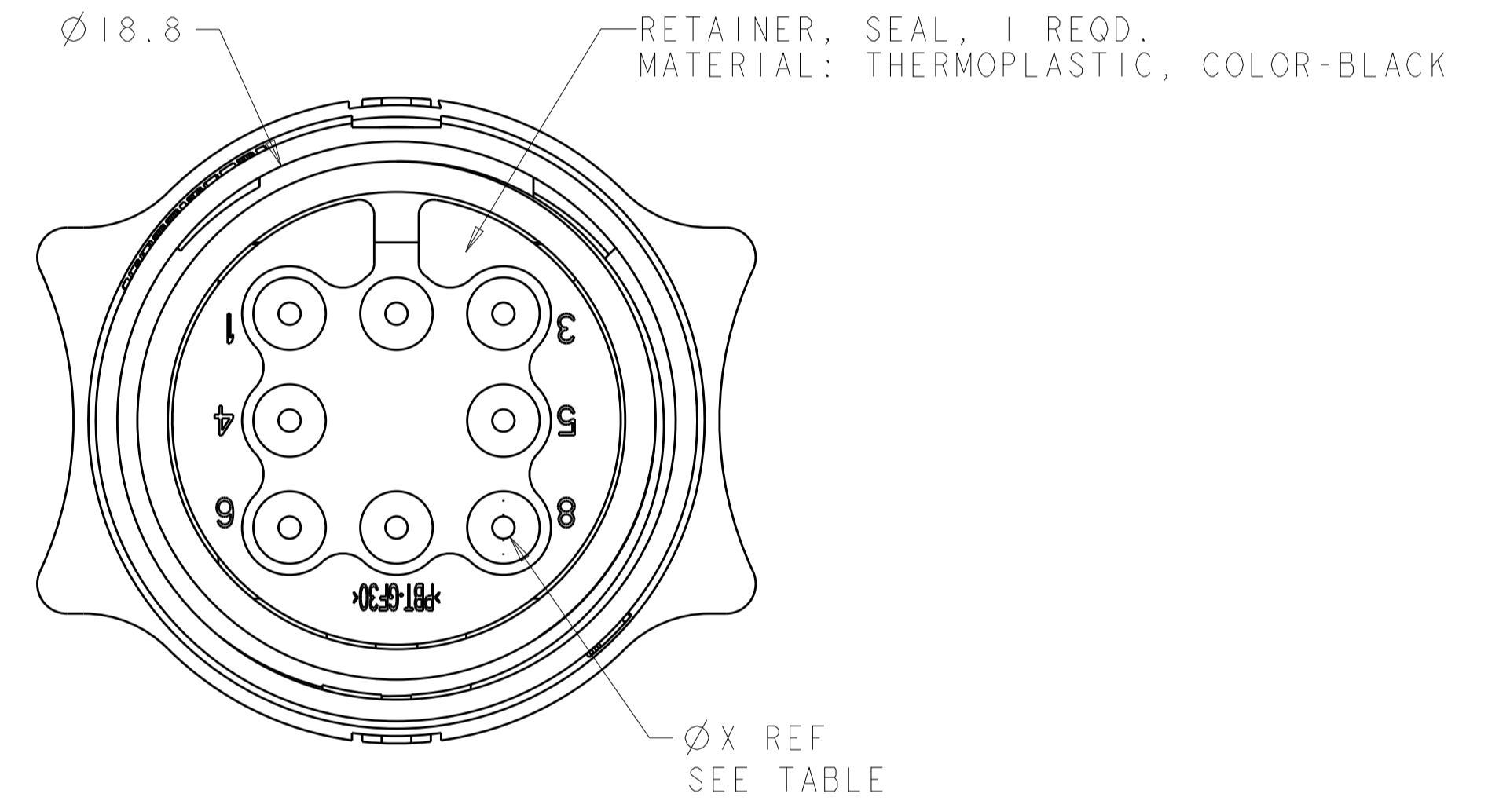


REVISIONS				
P.	LTM	DESCRIPTION	DATE	OWN APVD
C2		REVISED PER ECO-15-010004	13JUL2015	NK MZ
D		REVISED PER ECO-17-004650	06APR2017	BDA MZ



SECTION Z-Z



OBSOLETE	YELLOW	$\phi 0.75$	135°	1445817-4
	NATURAL	$\phi 1.5$	115°	1445817-3
OBSOLETE	NATURAL	$\phi 1.5$	135°	1445817-2
	YELLOW	$\phi 0.75$	115°	1445817-1
	SEAL, WIRE ENTRY COLOR	ϕX REF	K REF	PART NUMBER

THIS DRAWING IS A CONTROLLED DOCUMENT.

OWN: SHANE WIESE 16OCT2001
 CHK: G DOUTY 16OCT2001
 APVD: H. WAKEEM 13JUN2003

DIMENSIONS: mm
 TOLERANCES UNLESS OTHERWISE SPECIFIED:
 0 PLC ±
 1 PLC ±
 2 PLC ±0.13
 3 PLC ±
 4 PLC ±
 ANGLES ±

MATERIAL: SEE CALLOUT
 FINISH: -

WEIGHT: -
 CUSTOMER DRAWING

NAME: ASSEMBLY, PLUG, SIZE 11, 8 POSITION, SEALED, MINI CPC
 APPLICATION SPEC: -
 PRODUCT SPEC: -

SIZE: A1
 CAGE CODE: 100779
 DRAWING NO: 1445817

RESTRICTED TO: -
 SCALE: 5:1
 SHEET: 1 OF 1
 REV: D

STE TE Connectivity