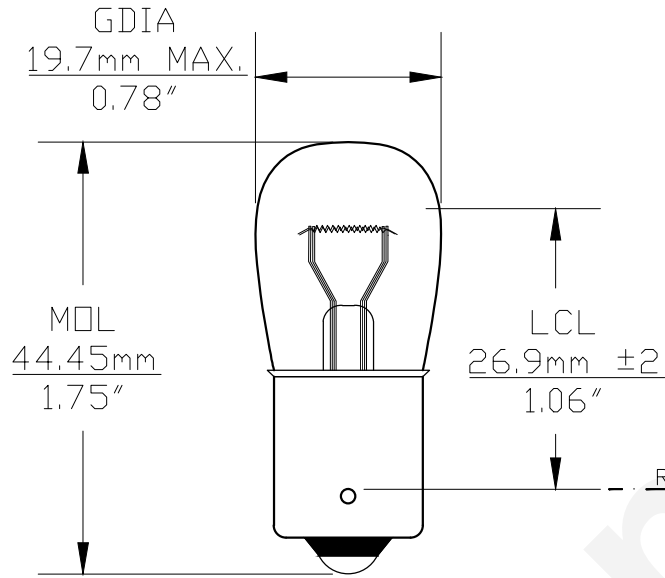


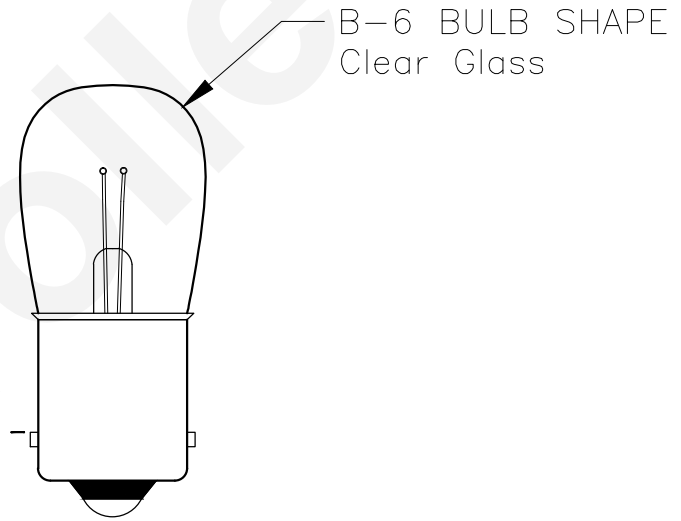


Since 1959

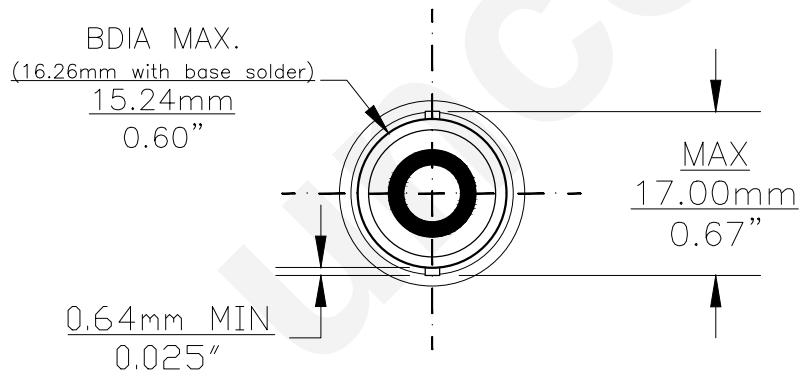
PART NO.	BASE TYPE	DESIGN VOLTS	DESIGN AMPS	MSCD	FILAMENT TYPE	AVERAGE LIFE HOURS	REVISIONS			
							REV #	DESCRIPTION	DATE	APPROVED
1309	S.C. Bayonet (BA15s)	28.0V	0.52±10%	15±15%	2C-6	300	1	ISSUED	10/29/2014	R.M.
							2	REVISED GLASS DIAMETER	11/02/2016	R.M.



0° VIEW



90° VIEW



BASE BOTTOM VIEW

Note: Made according to SAE specifications



UNLESS OTHERWISE SPECIFIED: DIMENSIONS ARE IN INCHES TOLERANCES		CEC INDUSTRIES LTD			
DECIMALS	ANGULAR	599 BOND STREET		LINCOLNSHIRE, IL 60069	
.XX ± .05	± 0.5°	TITLE LIGHT BULB NO. 1309			
.XXX ± .010		SIZE A	FSCM NO.	DWG NO. 1309	REV 2
FRACTIONAL	± 1/64	SCALE		PLOT SCALE	SHEET 1 OF 1
DRAWN ROSE MEDINA		DATE 10/29/2014		MATERIAL	
CHECKED		FILE 1309.pdf		DRAWING NOT TO SCALE	