

REVISIONS

P	LTR	DESCRIPTION	DATE	DWN	APVD
	D	ECO-16-002004	27OCT2021	RZ	WK

NOTES:

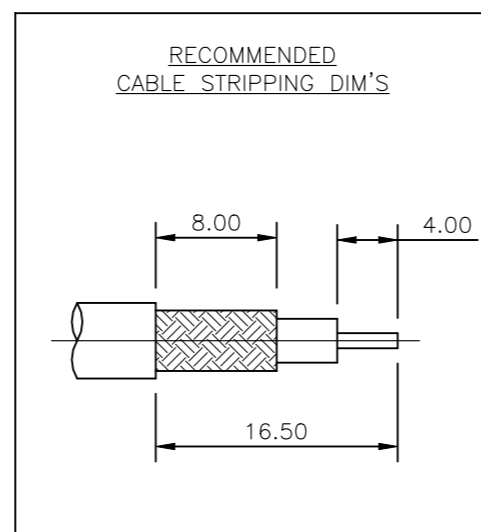
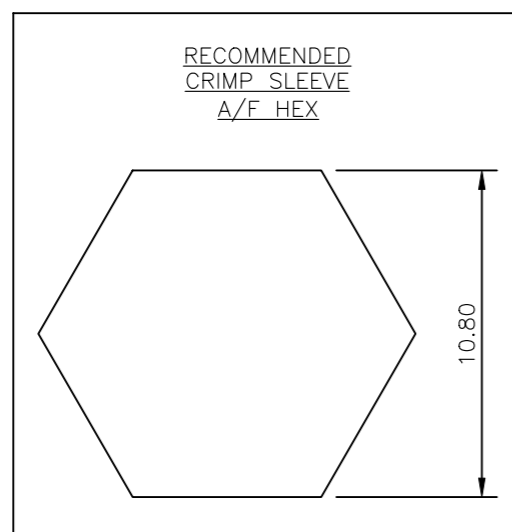
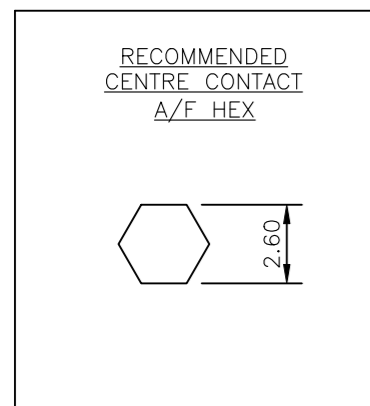
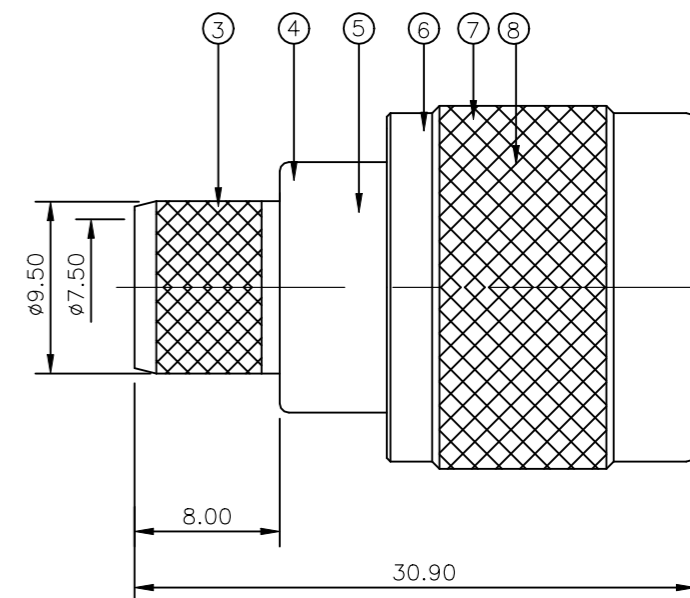
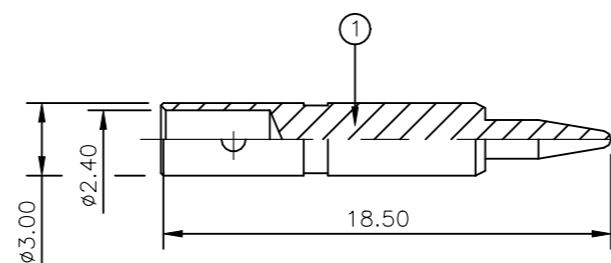
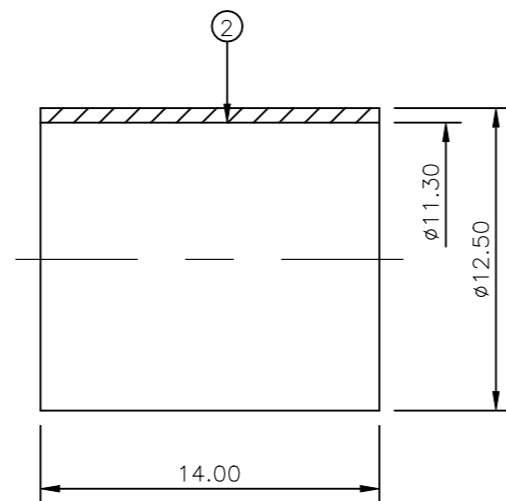
- ① PACK IN ACCORDANCE WITH AMP SPEC 107-3275
- ② 100 TRAY PACK IN ACCORDANCE WITH AMP SPEC 107-3275
- ③ Ag PLATING
- ④ THIS ITEM MUST BE WHITE

- 5. HAND TOOL: 9-478240-0
- 6. DIE SET: 9-1478246-0

- 7. ELECTRICAL CHARACTERISTICS
 FREQUENCY RANGE: DC - 11 GHz
 NOMINAL IMPEDANCE: 50 Ohm
 INSULATION RESISTANCE: 5000 MOhm
 WORKING VOLTAGE: 1000 Volts RMS at Sea Level
 DIELECTRIC WITHSTAND VOLTAGE: 2500 Volts RMS Max
 CONTACT RESISTANCE:
 CENTRE CONTACT: 1.00 mOhm Max
 OUTER CONTACT: 1.00 mOhm Max
 VSWR @ 4GHz: 1.30:1 Max
 INSERTION LOSS dB @ x 4 GHz: 0.30 Max

- 8. MECHANICAL CHARACTERISTICS
 COUPLING NUT RETENTION FORCE: 445N Min
 CABLE RETENTION FORCE: 350N Min
 DURABILITY: 500 Cycles Min

- 9. ENVIRONMENTAL CHARACTERISTICS
 OPERATING TEMPERATURE: -65 to +165 DegC



QTY	QTY PER ASSY	MATERIAL	DESCRIPTION	ITEM
1	1	SILICON RUBBER	GASKET	8
1	1	BRASS	SHELL	7
1	1	BRONZE	CIRCLIP	6
1	1	PTFE	INSULATION	5
1	1	BRASS	BODY	4
1	1	BRASS	CHASSIS	3
1	1	BRASS	FERRULE	2
1	1	BRASS	CONTACT	1
6--0	1--0		MATERIAL	DESCRIPTION
				ITEM

THIS DRAWING IS A CONTROLLED DOCUMENT.

DIMENSIONS: mm	TOLERANCES UNLESS OTHERWISE SPECIFIED: 0 PLC ± - 1 PLC ± 0.3 2 PLC ± 0.2 3 PLC ± - 4 PLC ± - ANGLES ± -	DWN J.SANDWELL 21SEP05	TE Connectivity TYPE-N STRAIGHT PLUG CRIMP 50 OHM RG9B/U, 214/U, URM 91, KX13, KX24
		CHK S.PARLOW 21SEP05	
		APVD F.WHEELER-KING 21SEP05	
		PRODUCT SPEC -	
MATERIAL SEE TABLE	FINISH SEE TABLE	APPLICATION SPEC 411-3247	NAME
		WEIGHT 0.000000	SIZE A3
		CUSTOMER DRAWING	CAGE CODE 00779
			DRAWING NO C-1337415
			RESTRICTED TO
		SCALE NTS	SHEET 1 OF 1
			REV D