

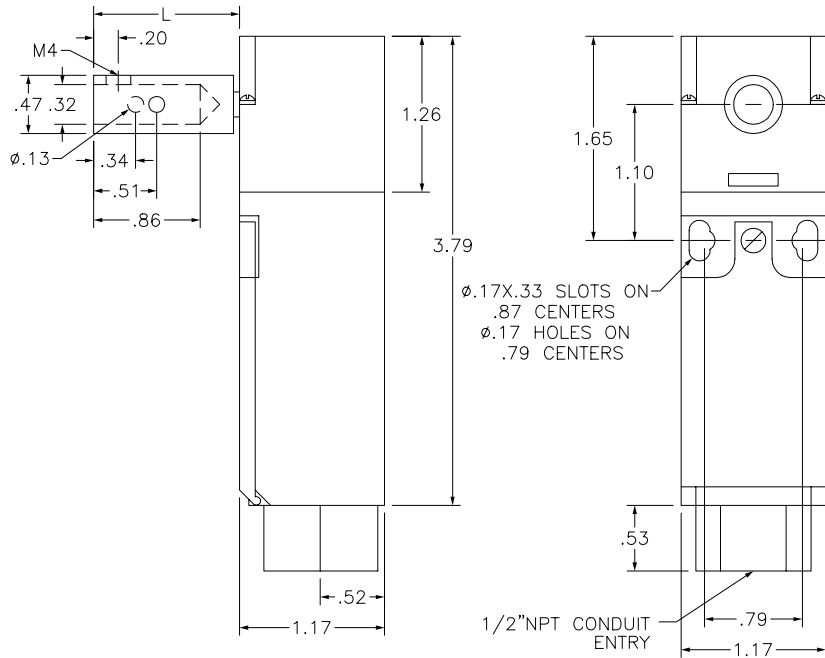
Plastic, turret head, type XCSPL rotary operated, 1/2" NPT conduit

Type of lever	Elbowed (flush with rear of switch)			Straight		Rotary Shaft
	To left	Centered	To right	To right or to left	Centered	Length 30mm
N.C.+N.O. break before make, slow break*★	XCSPL593	XCSPL583	XCSPL573	XCSPL563	XCSPL553	XCSPR553
N.C.+N.O. break before make, slow break*	XCSPL793	XCSPL783	XCSPL773	XCSPL763	XCSPL753	XCSPR753
Weight (oz.)	3.9 (0.110 kg)	3.9 (0.110 kg)	3.9 (0.110 kg)	3.9 (0.110 kg)	3.9 (0.110 kg)	4.2 (0.120 kg)

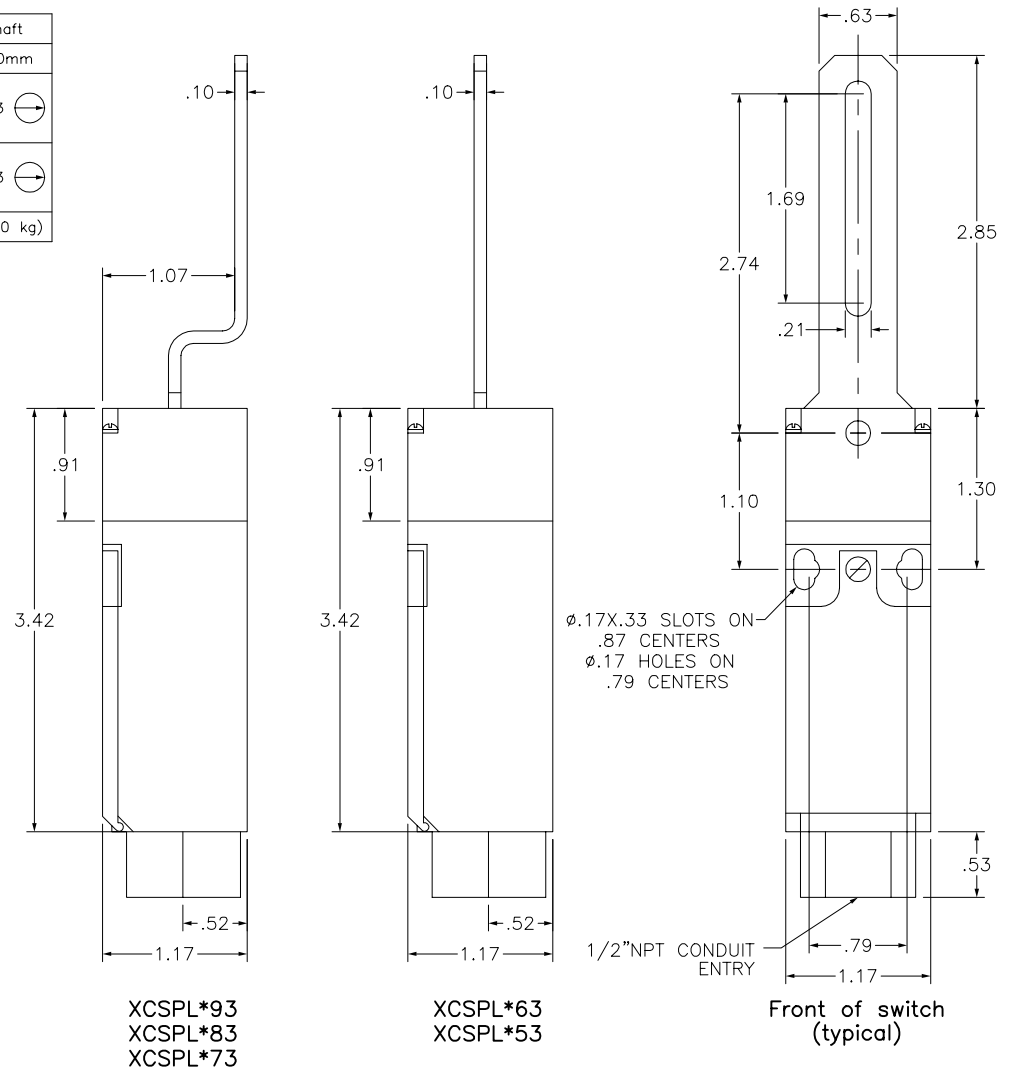
■90° increments throughout 360°

*Schematic diagrams shown represent the contact states when the rotary lever is in the position indicated in the table when rotary shaft is in 0° TDC position.

★The N.O. contacts will close after the N.C. contacts open. They do not change state simultaneously.



XCSPL
L=1.18 (XCSPL*53) or 3.15 (XCSPL*63)



XCSPL*93
XCSPL*83
XCSPL*73

XCSPL*63
XCSPL*53

Front of switch
(typical)

THE SQUARE D COMPANY HAS PROPRIETARY RIGHTS TO THE INFORMATION CONTAINED HEREON. THIS INFORMATION REMAINS THE PROPERTY OF SQUARE D COMPANY AND MAY BE USED ONLY IN CONFORMANCE WITH INSTRUCTIONS ISSUED BY SQUARE D COMPANY. USER SHOULD VERIFY DRAWINGS ARE TO THE LATEST/CURRENT REVISION PRIOR TO INCORPORATING IN A DESIGN FILE.

DO NOT SCALE DRAWING
UNLESS OTHERWISE SPECIFIED DIMENSIONS ARE IN INCHES

THIRD ANGLE PROJECTION
TOLERANCES
UNLESS OTHERWISE SPECIFIED
2 PLACE DECIMALS ± .01

XCSPL SAFETY INTERLOCK SWITCHES
XCSPL593, XCSPL583, XCSPL573, XCSPL563, XCSPL553
XCSPL793, XCSPL783, XCSPL773
XCSPL763, XCSPL753, XCSPL753

SQUARE D COMPANY

DWG# XCSPL_PR_OUTLINE_001
NO.