



EVALUATION BOARD FOR THE Si30XX

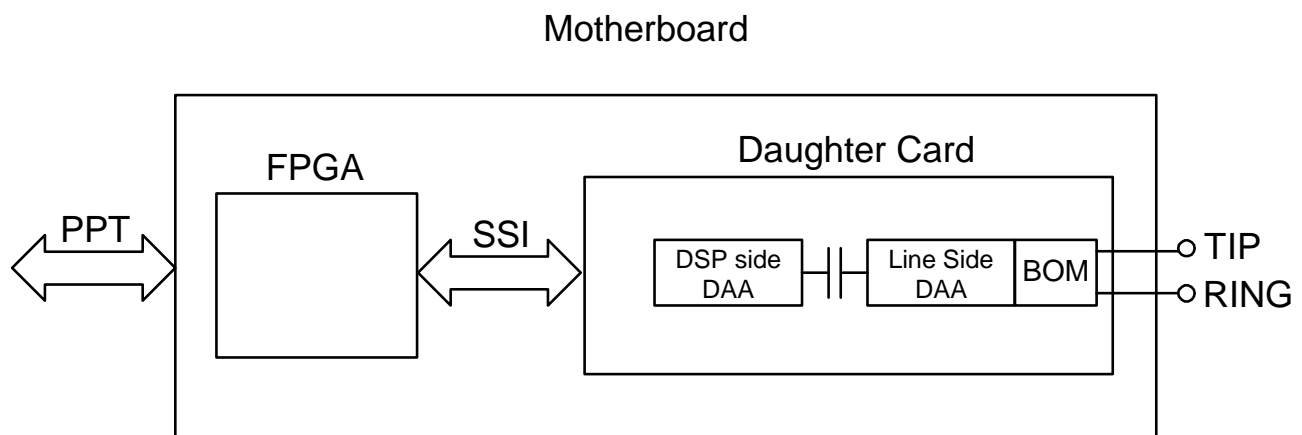
Description

The Si30xxPPT-EVB provides the telecommunications system engineer an easy way to evaluate the functionality of Silicon Laboratories' Si30xx (Si3034, Si3035, Si3044, Si3056/18, and Si3056/19) integrated voice direct access arrangement (DAA) solution. The digital side of the chipset (Si3021 or Si3056) has a DSP serial interface as well as system-side DAA functionality. In conjunction with the Si3012/14/15 or Si3018/19 global line-side silicon DAA chip, it provides a low-cost, solid-state, globally-compliant voice DAA solution. The Si30xx chipset can be easily controlled from a PC using the supplied application software (requires software Rev 2.0 or above and FPGA Rev 2.0 or above).

Features

- Ability to read and write DAA registers
- DAC waveform generation from a series of standard waveforms or from a .wav file
- ADC data capture and display in either time or frequency domain
- Recommended layout for key components
- Daisy-chain support

Functional Block Diagram



Si30xxPPT-EVB

Functional Description

The Si30xxPPT-EVB provides the telecommunications system engineer an easy way to evaluate the Si30xx solution. Silicon Labs' DAAs are integrated direct access arrangements that provide a digital, low-cost, solid-state interface to worldwide telephone lines. Through the patented ISOcap technology, the Si30xx eliminates the need for an analog front end (AFE), an isolation transformer, relays, opto-isolators, and a 2 to 4-wire hybrid.

The Si30xxPPT-EVB also supports the connection of multiple devices on an SSI interface. The evaluation board provides a straightforward means of evaluating this feature.

The evaluation board consists of the Si30xxPPT-EVB Si-LINK (mother) board and the Si30xxDC_EVB daughter card. A custom ribbon cable is also provided to connect to the parallel port of a PC. Contact a Silicon Laboratories representative for more information.

Motherboard-Daughter Card Connection

The Si30xxDC-EVB connects to the Si30xxPPT-EVB through two sockets: JP1 and JP2. JP1 is a 3x8 socket connection to the digital signals of the DSP-side chip, as well as to the analog AOUT pin. In addition, a 3.3 V regulated supply is routed to this socket and supplies the power to the digital-side device. JP1 of the daughter card connects to JP2 of the Si30xxPPT-EVB. JP2 is a 2x5 socket connection from the TIP and RING and chassis ground of the line interface to the line-side device. JP2 of the Si30xx DC-EVB connects to JP1 of the Si30xx PPT EVB.

Power Supply

Power is supplied to the EVB by means of J3 or J4. J3 is a euroblock header that allows for connection to a bench power supply. J4 is a 2.1 mm power jack that allows the use of a wall transformer. A 9 V supply/300 mA is typically used, but the onboard voltage regulator also works with a dc voltage between 7.5 V and 20 V. A diode bridge is used to correct polarity. The on-board regulator, U7, provides 5 V to the call progress circuit, the on-board oscillator, and other boards daisy chained to the Si30xxPPT-EVB. This 5 V is further regulated to 3.3 V to power the daughter card and the input/output ports of the FPGA. A third regulator provides 2.5 V for the core voltage of the FPGA.

Clock Generation

The Si30xx requires an MCLK input. An on-board oscillator (Y1) is used by the FPGA to clock all the subsystems as well as generate and provide the master

clock to the DAA. The FPGA is designed to use a 18.432 MHz oscillator (included with the board).

Optional Call Progress Speaker

The AOUT pin of the digital-side device provides a call monitoring feature. U3 provides 25 dB of signal gain on this output. The AOUT pin has an output impedance of 10 kW. R9 and R10 form a voltage divider that provides a gain of -24.4 dB. This divider is necessary so the LM386, which is operating from a +5 V supply, is not overdriven. The LM386 is a cost-effective low-power amplifier capable of driving many different buzzers or speakers. In the case of cascaded evaluation boards, the AOUT signal is local to each board.

Reset Circuit

The Si30xx requires an active low pulse on RESET following powerup and whenever all registers need to be reset. For development purposes, the Si30xxPPT-EVB includes a reset push button, SW1, that is used by the FPGA to generate a reset pulse of the DAA.

If multiple boards are cascaded together, the reset signal should be generated by the master board. Using the SW1 pushbutton on slave boards does not reset that slave board.

Serial Modes

The Si30xx supports several different serial modes for a glueless interface to many standard DSP and ASIC serial ports. The serial mode of the Si30xx can be selected by JP3 and JP4.

Line Connection

J1 is provided to connect the EVB to a standard RJ-11 connector. The system cannot execute an off-hook command without the phone line connected. This condition can be detected by examining the FDT bit of register 12 or by simply observing that there is no dial tone on the DSP or ASIC.

PC Parallel Port

JP13 connects through the Silicon Labs custom ribbon cable to the parallel port of the PC. The parallel port connection allows the designer to read and write the DAA register using the evaluation software included with the Si30xxPPT-EVB.

Configuring the Si30xxPPT-EVB

The Si30xxPPT-EVB is used to interface the Si30xx chipset to a PC or other audio system for easy evaluation. It uses an FPGA to translate the parallel port interface to the SSI bus to communicate to the Si30xx. The audio data and control data are communicated from the controlling PC using the aforementioned software. This mode allows the user to evaluate the DAA without any lab equipment other than a PC.

When in mode 0, the negative edge of FSYNC indicates the starting of the frame, and FSYNC is low until the end of data transfer. By selecting mode 1 operation, the rising edge of FSYNC indicates the start of the frame, but is only high for one cycle. To evaluate the Si30xx's multiple device operation, chain the slave boards with JP3 and JP4 set to mode 2. See Table 1 for a description of these operating modes.

Table 1. Mode Configuration

Mode	M1	M2	Description
0	0	0	FSYNC frames data
1	0	1	FSYNC pulse starts data frame
2	1	0	Slave mode
3	1	1	Reserved

The Si30xxPPT-EVB has the ability to interface in two different modes of the SSI bus: 5-bit address space operation is used for the Si3034/35/44, and 7-bit address space operation is used for the Si3056. Table 2 shows how to configure the Si30xxPPT-EVB to operate in a desired SSI operational mode.

Table 2. SSI Operational Mode Configuration

Mode	Sel0	Description
5-bit Addr	0	For Si3021 digital side
7-bit Addr	1	For Si3056 digital side



Si30xxPPT-EVB

Evaluation Software

The Si30xxPPT-EVB includes an easy-to-use graphical interface for controlling the evaluation platform. This software allows the system designer to characterize the Si30xx DAA performance without constructing any custom hardware. The evaluation software includes the following features:

- Ability to read and write DAA registers using the SSI bus
- DAC waveform generation from a series of standard waveforms or from a .wav file
- ADC data capture and display in either time or frequency domain using the SSI bus
- Daisy-chain support
- Transmit and receive path attenuation and gain settings
- Ring detection
- Loop current measurement

PC System Requirements

The application software for the Si30xxPPT-EVB has the following system requirements:

- Windows98 or Windows2000
- Available parallel port
 - EPP or ECP parallel port mode for Windows 98
 - EPP parallel port mode for Windows 2000
- 450 MHz Pentium II or greater recommended
- 64 MB of memory or greater recommended

Installation

The supplied CD contains the Si30xxPPT-EVB windows driver files as well as a setup utility for installing the evaluation software.

To install the Si30xxPPT-EVB software, run the installation program on the “Silicon Laboratories Wireline Software CD.” The path for the installation program is Si30xx Evaluation Software\setup.exe. The installer guides the user through the installation process for Si30xxPPT-EVB.exe and the LabVIEW Run-Time engine.

Using the Si30xxPPT-EVB Application Software

A shortcut for starting the application software that controls the Si30xxPPT-EVB is installed in the Windows Start Menu under the Programs folder in the “Si30xx Evaluation Software” folder.

Application Menus

Three pulldown menus are used to configure the operation of the software:

- **Run:**
 - Exit: Stops the program
 - Save: Stores the audio waveform into .wav files
- **Configure:**
 - Configure DAA: Display hardware status and user configuration. User can set advanced software options.
 - Reset DAA: Resets DAA and executes basic initialization sequences on Reg 1, Reg 6–10, and Reg 14.
- **Design Tool**
 - Register Map: Displays Register Map of Si30xx
 - Signal Flow Diagram: Displays Signal Flow Diagram of Si30xx.
 - Transhybrid Loss Calculation: Calculate transhybrid loss over frequency
 - Ringing: Helps user program ring validation registers.
- **Help:** Displays information about the evaluation board

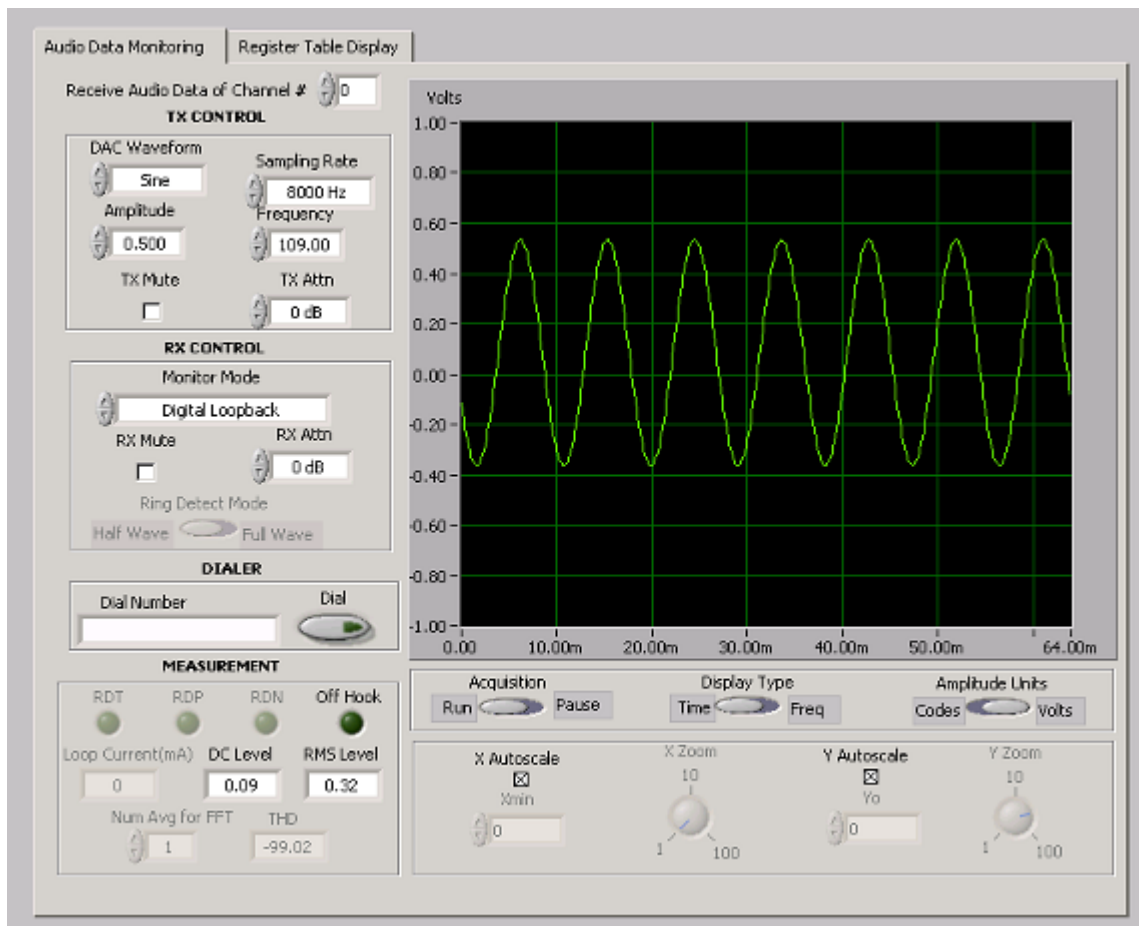


Figure 1. Si30xxPPT-EVB Evaluation Software in the Audio Data Monitoring View

Audio Data Monitoring View

The audio data monitoring view is discussed in the following sections.

Receive Audio Data of Channel#

Allows selection of channel to control and view. The Audio Data Monitoring view allows the generation of DAC data and the capture and display of ADC data. Operation of the front panel in Line Monitoring view is detailed in the following list. See Figure 1.

TX Control

- **DAC Waveform:** Selects the waveform to be generated by the DAC. The waveform types are as follows: dc, Sine, Square, Ramp, and .wav file.
- **TX Gain (dB):** Selects the transmit path gain/attenuation.
- **TX Mute:** Mutes the transmit path.

- **Sampling Rate:** Sets the sampling rate of the DAA and performs writes to corresponding registers.
- **Amplitude:** Sets the amplitude of the DAC waveform in either volts or the units of DAC codes. The units are determined by the Amplitude Units control.
- **Frequency:** Selects the frequency (Hz) of the waveform to generate. The actual waveform frequency may vary slightly from the entered value. This variation is due to the requirement to fit an integer number of samples into the transmit buffer. The control is updated to reflect the actual waveform frequency generated. The equation for calculating the frequency of the waveform is as follows:

$$\text{Actual Frequency} = \text{round} \left(\left(\frac{\text{Waveform Frequency}}{\text{DAC Sample Rate}} \right) \times \text{BufferSize} \right) \times \left(\frac{\text{DAC Sample Rate}}{\text{BufferSize}} \right)$$

RX Control

- **Monitor Mode:** Allows the selection of several data modes. Digital Loopback mode routes the DAC data back to the receive path. On-hook mode configures the DAA to the on-hook mode. Off-hook mode configures the DAA to the off-hook mode. On-hook line monitoring mode configures the DAA to the line monitoring state.
- **RX Gain/Attn (dB):** Selects the receive path gain/attenuation.
- **RX Mute:** Mutes the receive path
- **Ring Detect Mode:** Allows selection of full-wave or half-wave ring detection.

Dialer

- **Dial Number:** Inputs dial number.
- **Dial:** Executes dial.

Measurement

- **Loop Current:** Displays the loop current when in off-hook mode.
- **Ring Detect Bits:** Displays the state of the ring detect bits when in on-hook mode.
- **Off-Hook:** Indicates that the DAA is in the off-hook state.
- **DC Level/SINAD:** Displays either the dc level of the time domain waveform or the SINAD of the frequency domain waveform.
- **RMS Level/Frequency:** Displays either the RMS level of the time domain waveform or the frequency of the largest peak in the frequency domain waveform.

- **Num Avg for FFT:** When in FFT display, the software automatically averages waveforms. This panel selects the number of averages to take.

Wave Display Controls

- **Display Type:** Selects how the ADC data is displayed on the Waveform Graph (time or frequency domain).
- **Amplitude Units:** Sets the amplitude units for the Waveform Graph and Amplitude control to either volts or codes.
- **Acquisition:** Used to run or pause the CODEC data stream. Upon pausing the acquisition of the data, it displays measurement values regardless of the status of “display measurement” under the configure menu.
- **X Autoscale:** Automatically scales the X-axis of the graph to fit the entire waveform.
- **Y Autoscale:** Automatically scales the Y-axis to fit the entire vertical range of the waveform.
- **Xmin:** Sets the origin of the X-axis when the X Autoscale is disabled.
- **X Zoom:** Used to zoom a portion of the displayed waveform when X Autoscale is disabled. The waveform starts at Xmin and 1/X Zoom of the total waveform is displayed.
- **Yo:** Sets the origin of the Y-axis when Y Autoscale is disabled. Half of the waveform is displayed above Yo, and half is displayed below Yo.

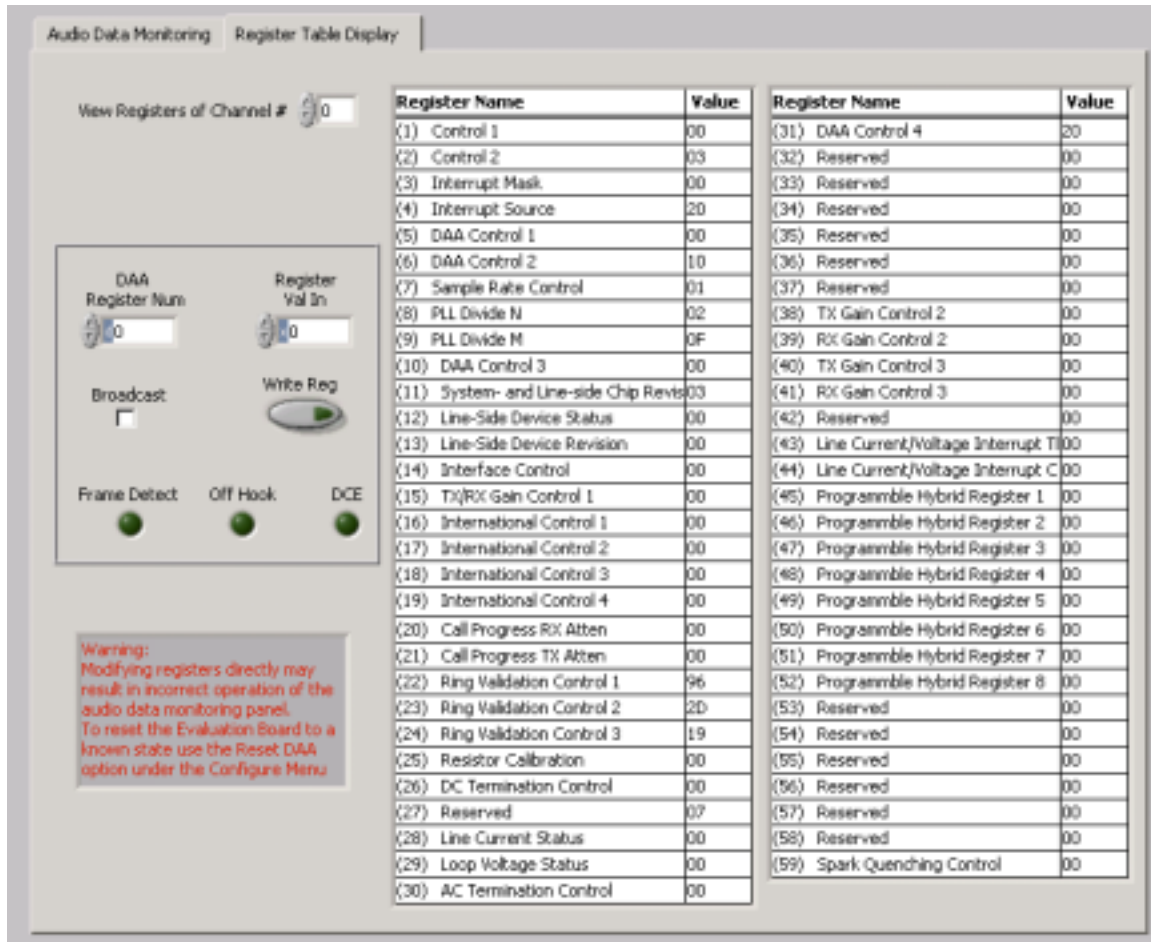


Figure 2. Si3056 System-Side Device Signal Flow Diagram

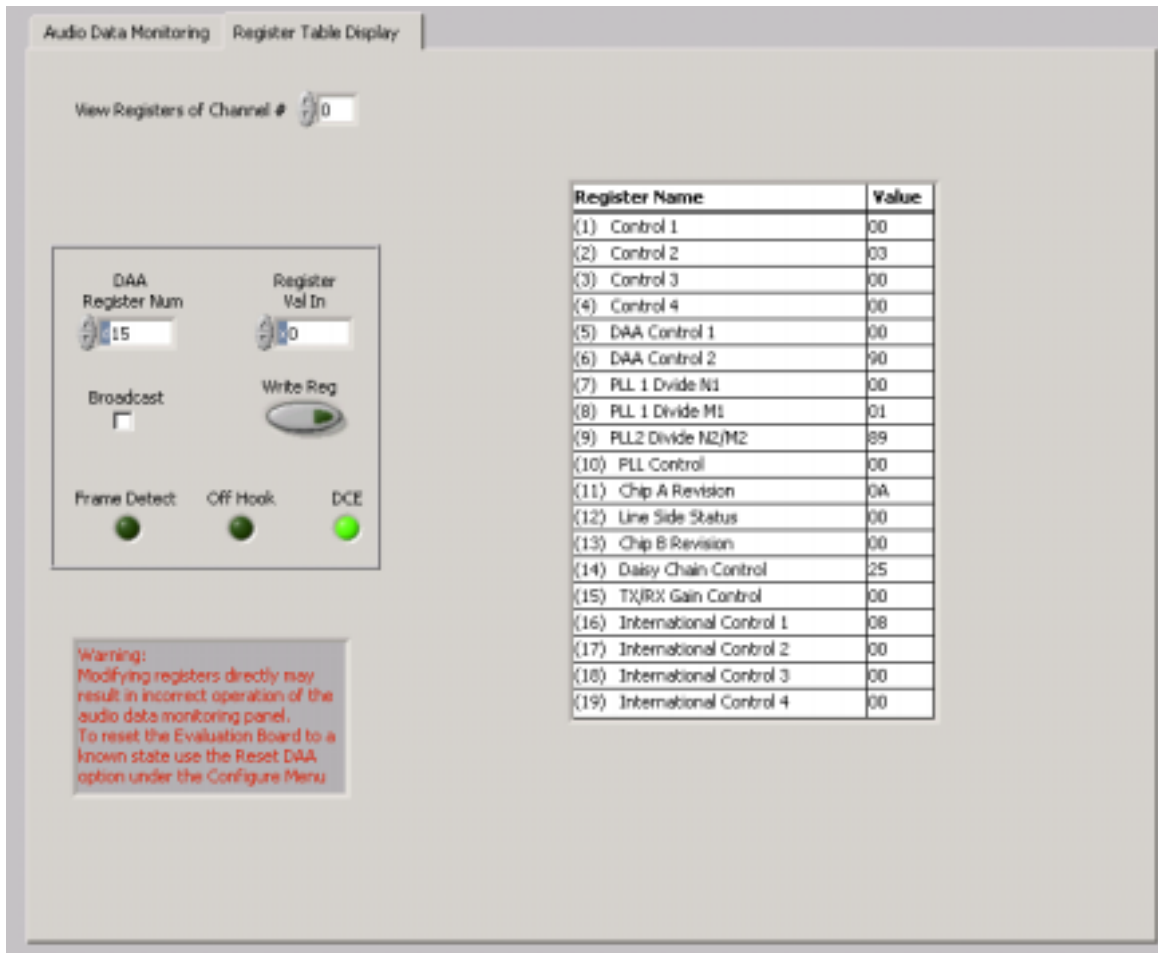


Figure 3. Si3021 System-Side Device Signal Flow Diagram

Register Table Display View

The DAA Register view allows the Si30xx DAA registers to be read or written. The user interface for the DAA Register view is shown in Figure 2 for the Si3056 and Figure 3 for the Si3021. Operation of the front panel in the DAA Register view is detailed in the following list:

- **Table:** This table displays the contents of the Si30xx DAA registers in realtime.
- **DAA Reg Num:** The Si30xx DAA register number to write (in decimal).
- **DAA Reg Value:** The contents to write to the register selected by the DAA Reg Num control (in hexadecimal).
- **Write DAA Regs:** Causes the contents of the DAA Reg Value control to be written to the DAA Reg Num register.
- **Broadcast:** Turns on the broadcast bit (SPI only).
- **FDT:** Shows the status of the FDT bit, which indicates that the Si30xx is communicating with the

Si3019.

- **Off-Hook:** Shows the status of the off-hook bit, DAA Register 5, bit 1.
- **DCE:** Shows the status of the daisy chain enable bit, DAA Register 14, bit 0.

The screenshot shows a software configuration window titled "Configure DAA Panel". It is divided into two main sections: "Hardware Status" and "User Configuration".

Hardware Status:

- Parallel Port Number: LPT1
- Parallel Port Transfer Mode: Hardware EPP
- FIFO Depth: 512
- Number of Devices: 1
- Serial Mode: Mode 1 (FSYNC pulse)
- Revision Status of Device Number: 0
- DAA Line Side: Unknown Unknown
- DSP Side Device: Si3056 Rev B

User Configuration:

- FFT Window: Hanning
- Acquisition Buffer Size: 512
- Display Measurements:

An "OK" button is located at the bottom center of the panel.

Figure 4. Configure DAA Panel

Advanced Configuration

Advanced configuration of the application software is accomplished by using the "Configure DAA" selection in the "Configure" menu. The configuration panel is shown in Figure 4. The panel contents are detailed in the following list:

- **FFT Window:** The FFT window applied to the time domain data before calculating the FFT.
- **Acquisition Buffer Size:** This is the size of the buffer, in samples, that is acquired and displayed on the Line Monitoring mode waveform graph. The buffer size can be set between 1024 and 65536 samples in increments of 512 samples.
- **Display Measurement:** Takes realtime measurements of audio waveform.

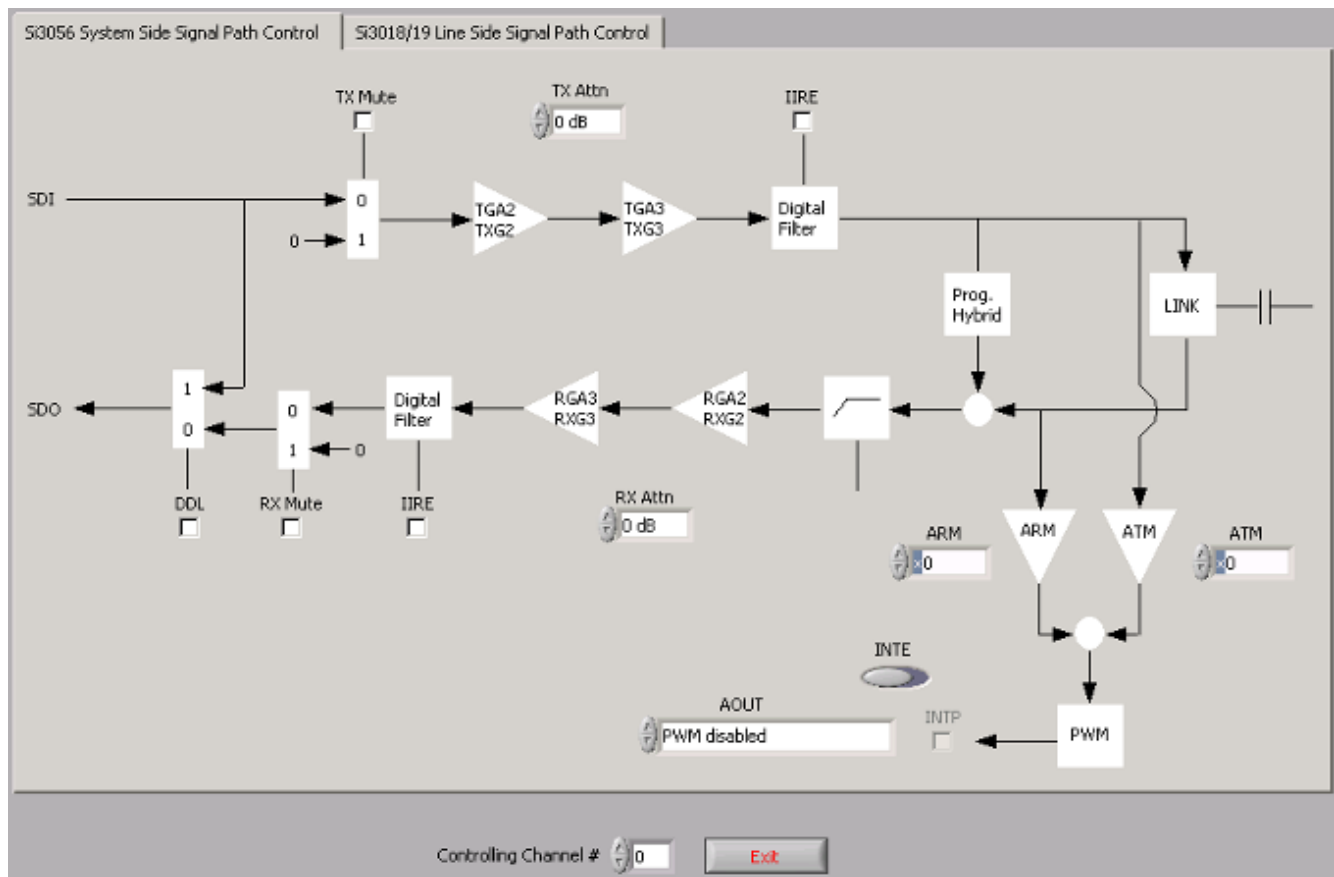


Figure 5. Si30xx Signal Flow Diagram for the Si3056

Signal Flow Diagrams

The signal flow diagrams of the Si30xx application software for the Si3056 device, shown in Figure 5 and Figure 6, assist users with programming DAA.

Si30xx Signal Path Control

- **TX Mute:** Turns on/off the TXM bit on DAA Register 15, bit 7.
- **TX Gain:** Writes to ATX on DAA Register 15 or TGA2, TXG2, TGA3, and TXG3 on DAA Register 38 and 40.
- **IIRE:** Turns on/off IIRE bit on Register 16, bit 4.
- **DDL:** Turns on/off DDL bit on Register 10, bit 1.
- **RX Mute:** Turns on/off RXM bit on Register 15, bit 0.
- **RX Gain:** Writes to ARX on DAA Register 15 or RGA2, RXG2, RGA3, and RXG3 on DAA Register 39 and 41.
- **FILT:** Turns on/off FILT bit on Register 31, bit 1 (Bit is available for Si3019 line-side device only).
- **ARM:** Writes to ARM on Register 20.

- **ATM:** Writes to ATM on Register 21.
- **INTE:** Turns on/off INTE bit on Register 2, bit 7.
- **INTP:** Turns on/off INTP bit on Register 2, bit 6.
- **AOUT:** Writes to PWMM and PWEM on Register 1.

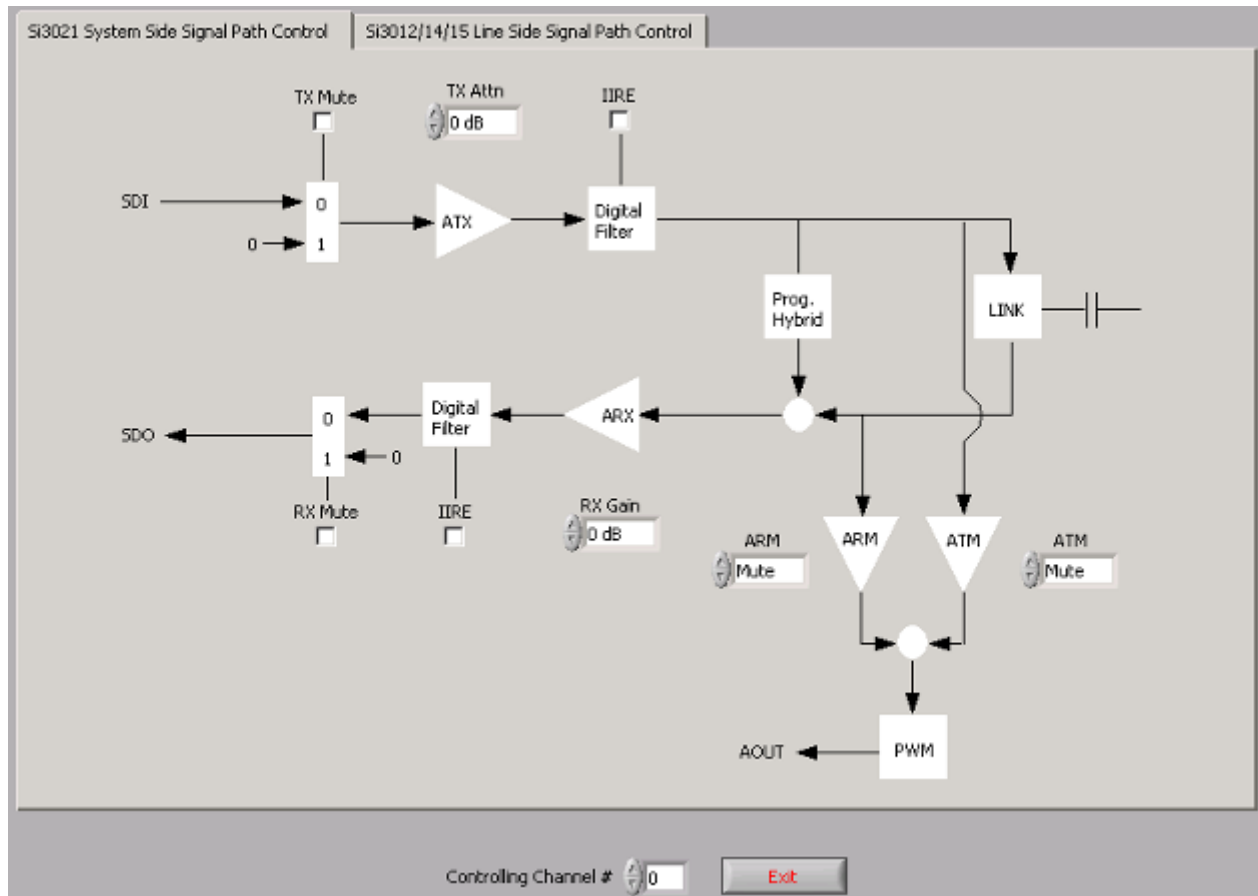


Figure 6. Si30xx Signal Flow Diagram for Si3021

Signal Flow Diagrams

The signal flow diagrams of the application software shown in Figure 6 assist users with programming DAA.

Si30xx Signal Path Control

- **TX Mute:** Turns on/off the TXM bit on DAA Register 15, bit 7.
- **TX Gain:** Writes to TGA2, TXG2, TGA3, and TXG3 on DAA Register 38 and 40.
- **IIRE:** Turns on/off IIRE bit on Register 16, bit 4.
- **RX Mute:** Turns on/off RXM bit on Register 15, bit 0.
- **RX Gain:** Writes to RGA2, RXG2, RGA3, and RXG3 on DAA Register 39 and 41.
- **ARM:** Writes to ARM on Register 20.
- **ATM:** Writes to ATM on Register 21.
- **AOUT:** Writes to PWMM and PWEM on Register 1 Si3019 Signal Path Control.

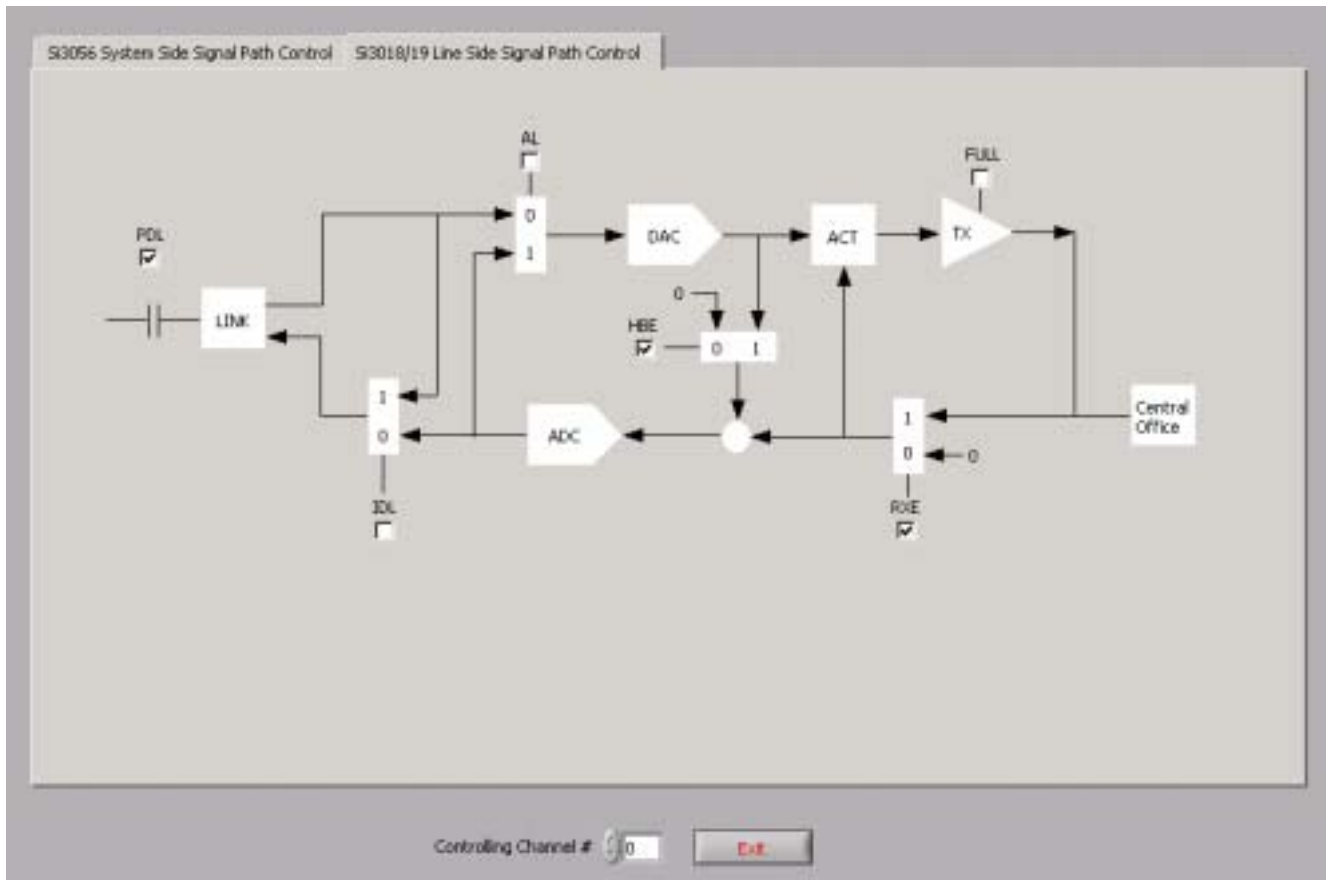


Figure 7. Si3018/19 Line-side Device Signal Flow Diagram

Line-Side Device Signal Path Control

- AL: Turns on/off AL bit on Register 2, bit 3.
- HBE: Turns on/off HBE bit on Register 2, bit 1.
- RXE: Turns on/off RXE bit on Register 2, bit 0.
- IDL: Turns on/off IDL bit on Register 1, bit 1.

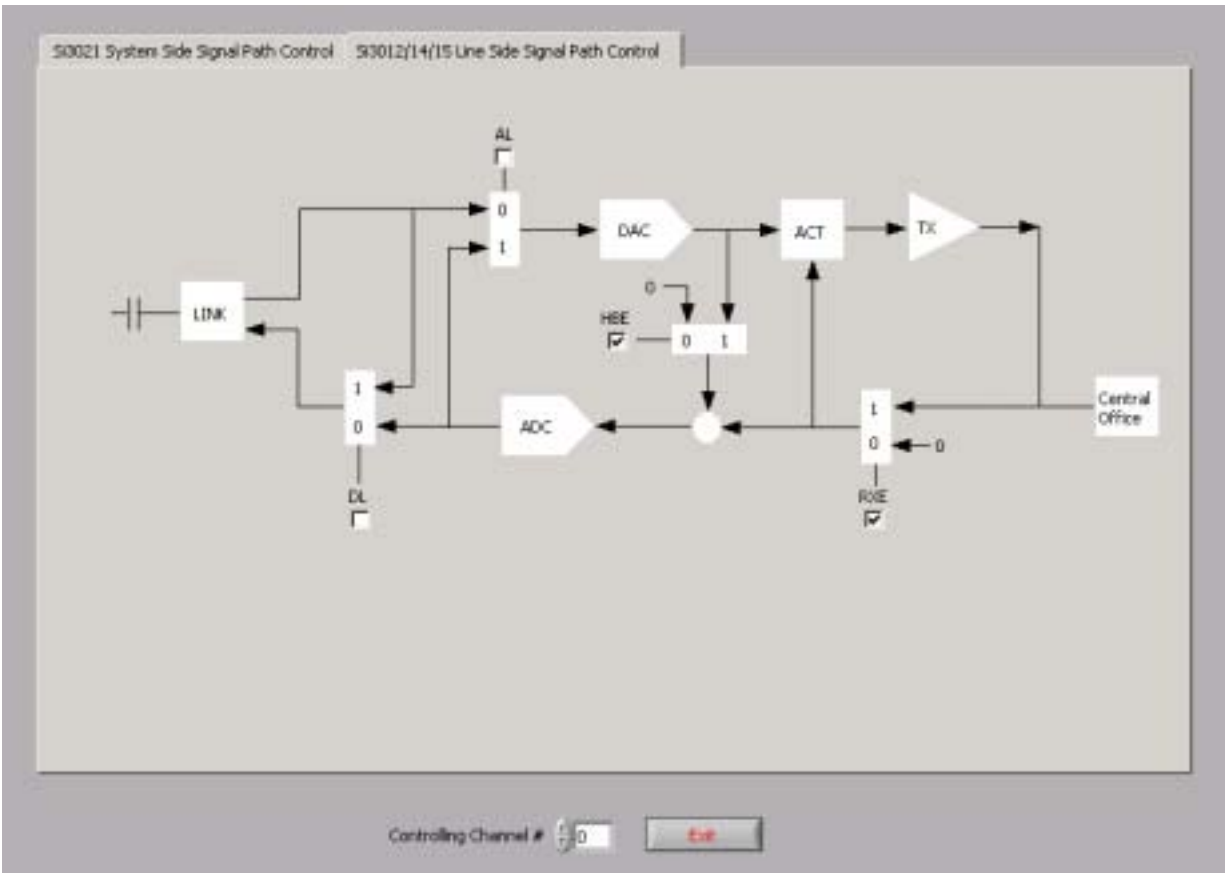


Figure 8. Si3012/14/15 Line Side Device Signal Flow Diagram

Line-Side Device Signal Path Control

- AL: Turns on/off AL bit on Register 2, bit 3.
- HBE: Turns on/off HBE bit on Register 2, bit 1.
- RXE: Turns on/off RXE bit on Register 2, bit 0.
- IDL/DL: Turns on/off IDL/DL bit on Register 1, bit 1.
- PDL: Turns on/off PDL bit on Register 6, bit 4.
- FULL: Turns on/off FULL bit on Register 31, bit 7.

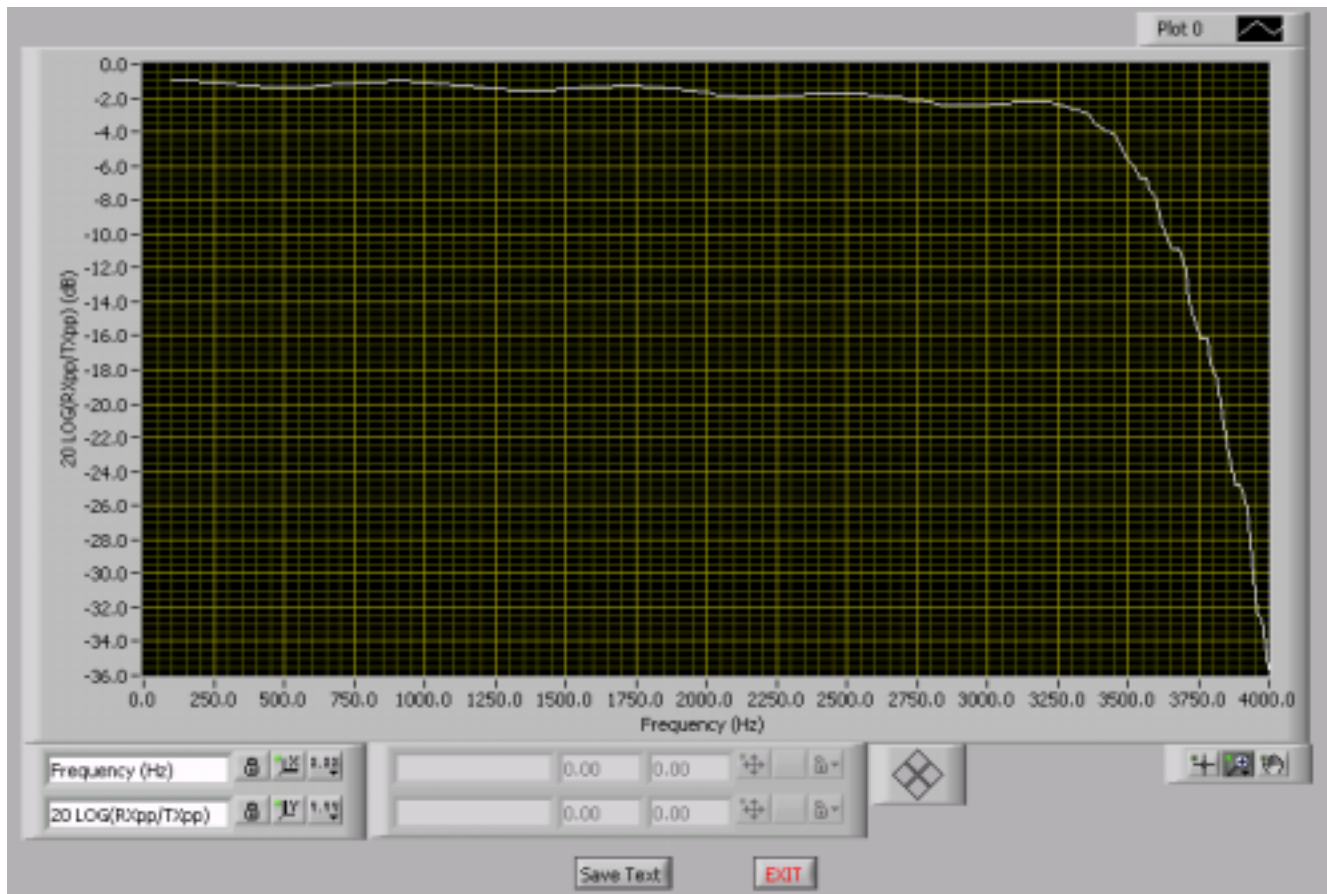


Figure 9. Transhybrid Loss

Transhybrid Loss Calculation

When “Transhybrid Loss Calculation” is selected, the Si3050PPT-EVB software will drive a signal with different frequencies and measure the transhybrid loss based on the following equation: $TL = 20\text{Log}(TX_{pk-pk}/RX_{pk-pk})$. Frequencies used to measure this start from 100 Hz to 4000 Hz in 20 Hz steps.

RNGV - Enable

RAS[5:0]	fmin (Hz)
25	10.00
RMX[5:0]	fmax (Hz)
22	83.33
RCC[2:0]	ring confirmation count (ms)
5	512.00
RTO[3:0]	ring timeout (ms)
5	1280.00
RDLY[2:0]	ring delay(ms)
2	512.00

Channel # 0 stop
STOP

Figure 10. Ringing

Ringing

- RNGV-Enable: Turns on/off RNGV bit on Register 24, bit7
- RAS[5:0]: Update RAS bits on Register 24
- RMX[5:0]: Update RMX bits on Register 22
- RCC[2:0]: Update RCC bits on Register 23
- RTO[3:0]: Update RTO bits on Register 23
- RDLY[2:0]: Update RDLY bits on Register 22 & 23
- Fmin(Hz): Calculate fmin based on RAS bits
- Fmax(Hz): Calculate fmax based on RAS bits and RMX bits
- Ring confirmation count (ms): Shows ring confirmation count based on RCC bits
- Ring timeout(ms): Displays ring timeout based on RTO bits
- Ring delay(ms): displays ring delay based on RDLY bits

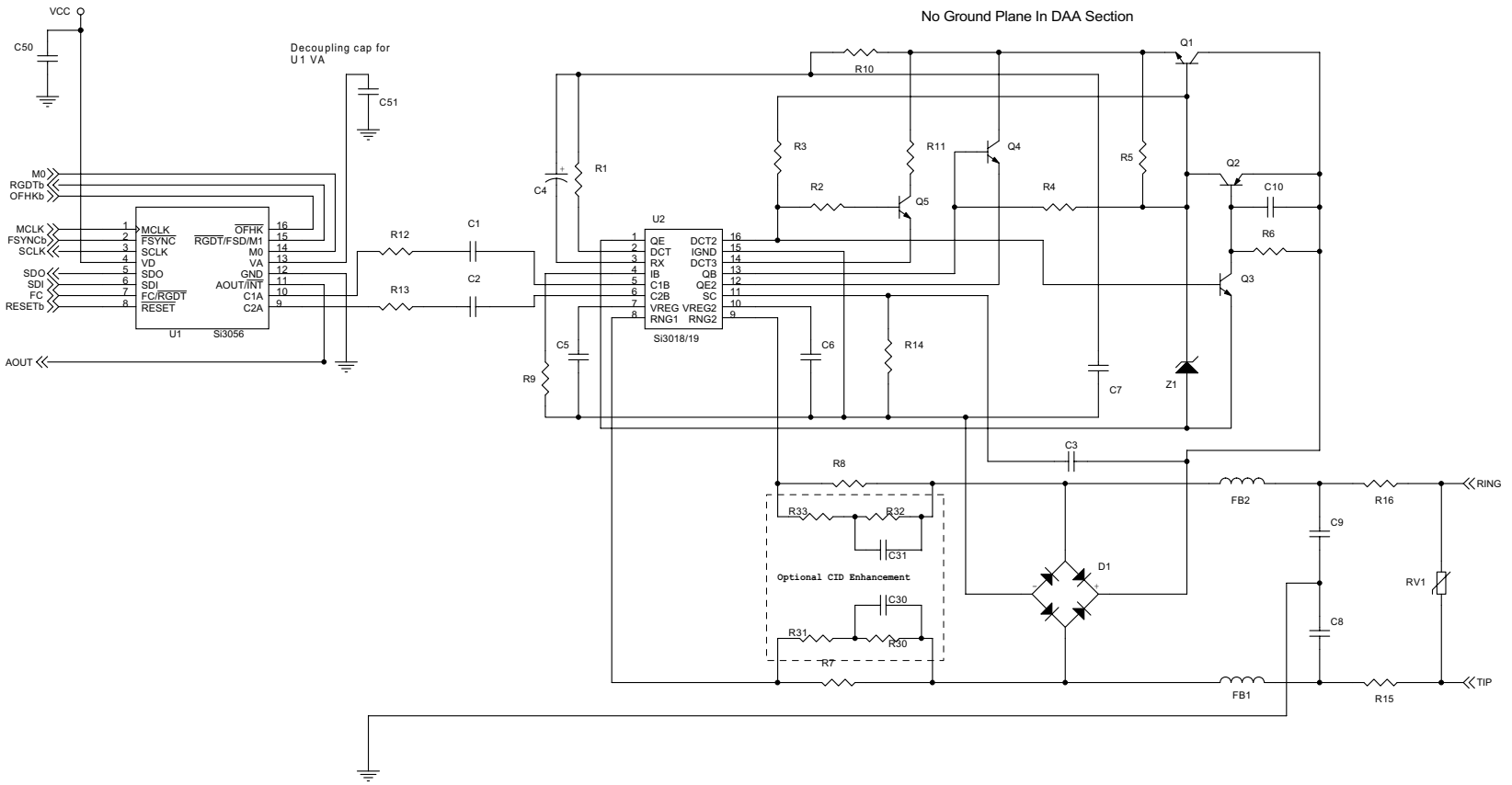


Figure 11. Si3034/35/44 Daughter Card Schematic (1 of 2)

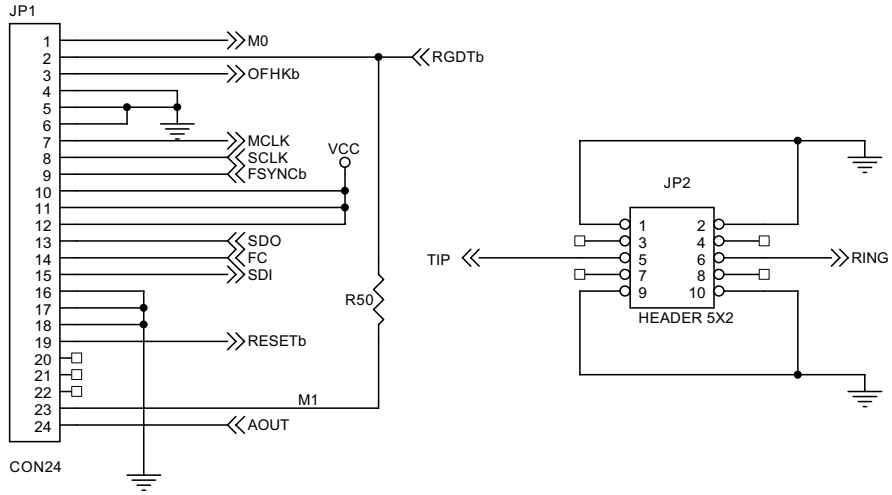
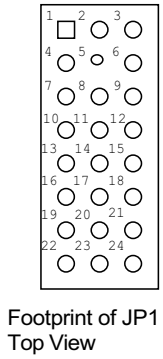


Figure 12. Si3034/35/44 Daughter Card Schematic (2 of 2)

Si30xxPPT-EVB

Bill of Materials: Si3034-EVB Daughter Card

Quantity	Reference	Part
2	C4,C1	150 pF, 3 kV, $\pm 20\%$, 1812, , C1808X7R302-151MNE, Venkel
1	C3	0.22 uF, 25 V, $\pm 20\%$, 0805, , C0805X7R250-224MNE, Venkel
1	C5	0.1 uF, 50 V, $\pm 20\%$, Case A, , TA050TCM104-MAL, Venkel
3	C6,C10,C16	0.1 uF, 16 V, $\pm 10\%$, 0603, , C0603X7R160-104KNE, Venkel
2	C7,C8	560 pF, 250 V, $\pm 10\%$, 0805, , C0805X7R251-561KNE, Venkel
1	C9	10 nF, 250 V, $\pm 20\%$, 0805, , C0805X7R251-103KNE, Venkel
4	R4,C11,R21,C30	NI, , , 0603, , ,
1	C12	0.22 uF, 35 V, $\pm 10\%$, Case A, , TA035TCM224-KAL, Venkel
1	C13	0.47 uF, 25 V, $\pm 10\%$, 0805, , C0805X7R250-474KNE, Venkel
1	C14	0.68 uF, 16 V, $\pm 10\%$, 1206, , 1206YC684KATMA, AVX
2	C18,C19	3.9 nF, 16 V, $\pm 10\%$, 0603, , C0603X7R160-392KNE, Venkel
1	C20	0.01 uF, 16 V, $\pm 20\%$, 0603, , C0603X7R160-103KNE, Venkel
1	C22	1800 pF, 50 V, $\pm 10\%$, 0603, , C0603X7R500-182KNE, Venkel
1	C23	NI, , , Case A, , ,
2	C24,C25	1000 pF, 3 kV, $\pm 10\%$, 1812, , C1808X7R302-102KNE, Venkel
4	R22,R23,C28,C29	NI, , , 0805, , ,
2	D1,D2	Dual Diode, 225 mA, 300 V, SOT-23, , CMPD2004S, Central Semiconductor
2	D3,D4	BAV99, 300 mA, 100 V, SOT-23, , BAV99, Diodes Inc.
2	FB1,FB2	Ferrite Bead, , , 1206, , BLM31A601S, Murata
1	JP1	CON24, , , 8x3 100 mil, , SSW-108-01-T-T,
1	JP2	HEADER 5X2, , , 5x2 100 mil, , SSW-105-01-T-D,
2	L2,L1	330 uH, 150 mA, , Thru Hole, , EL0607-331J, TDK
2	Q3,Q1	NPN, 300 V, , SOT-23, , MMBTA42LT1, Motorola
1	Q2	PNP, 300 V, , SOT-23, , MMBTA92LT1, Motorola
1	Q4	NPN, 80 V, , SOT-223, , BCP56T1, Motorola
1	RV1	SiDactor, 275 V, 100 A, SOD 6, , P3100SB, Teccor
1	RV2	NI, , , Thru-Hole, , ,
1	R1	NI, , , 2010, , ,
1	R2	402, 1/8 W, $\pm 1\%$, 1206, , CR1206-8W-4020FT, Venkel
1	R3	NI, , , 0805, , , Venkel
1	R5	36 K, 1/16 W, $\pm 5\%$, 0603, , CR0603-16W-363JT, Venkel
1	R6	120 K, 1/16 W, $\pm 5\%$, 0603, , CR0603-16W-124JT, Venkel
6	R7,R8,R15,R16,R17,R19	4.87 K, 1/4 W, $\pm 1\%$, 1206, , CR1206-4W-4871FT, Venkel
2	R10,R9	56 K, 1/10 W, $\pm 5\%$, 0805, , CR0805-10W-563JT, Venkel
1	R11	10 K, 1/10 W, $\pm 1\%$, 0603, , CR0603-16W-1002FT, Venkel
1	R12	78.7, 1/16 W, $\pm 1\%$, 0603, , CR0603-16W-78R7FT, Venkel
1	R13	215, 1/16 W, $\pm 1\%$, 0603, , CR0603-16W-2150FT, Venkel
1	R18	2.2 K, 1/10 W, $\pm 5\%$, 0805, , CR0805-10W-222JT, Venkel
1	R24	150, 1/10 W, $\pm 5\%$, 0603, , CR0603-10W-150JT, Venkel
2	R25,R26	NI, , , 0805, , ,
2	R28,R27	10, 1/10 W, $\pm 5\%$, RC05, , CR0805-10W-100JT, Venkel
1	R29	NI, , , 0603, , ,
1	R30	0, 1/10 W, $\pm 5\%$, 0603, , CR0603-10W-000JT, Venkel
1	U1	Si3021, , , 16SOIC, , Si3021-KS Rev. C, Silicon Labs
1	U2	Si301x, , , 16SOIC, , Si3014-KS Rev. C, Silicon Labs
1	Z1	Zener Diode, 43 V, , SOD-80, , ZMM43, General Semi
2	Z4,Z5	Zener Diode, 5.6 V, 500 mW, SOD123, , MMSZ5232B, Diodes Inc.

Bill of Materials: Si3035-EVB Daughter Card

Quantity	Reference	Part
2	C4,C1	150 pF, 3 kV, ±20%, 1812, , C1808X7R302-151MNE, Venkel
1	C3	0.22 uF, 25 V, ±20%, 0805, , C0805X7R250-224MNE, Venkel
1	C5	1.0 uF, 16 V, ±20%, Case A, , TA016TCM105-MAL, Venkel
3	C6,C10,C16	0.1 uF, 16 V, ±10%, 0603, , C0603X7R160-104KNE, Venkel
6	R3,C7,C8,C13,R25,R26	NI, , , 0805, , ,
3	C9,C28,C29	15 nF, 250 V, ±20%, 0805, , C0805X7R251-153KNE, Venkel
1	C11	39 nF, 16 V, ±10%, 0603, , C0603X7R160-393KNE, Venkel
1	C12	NI, , , Case A, , ,
7	R7,R8,C14,R15,R16,R17, R19	NI, , , 1206, , ,
9	R12,R13,C18,C19,C20,C22, R24,R30,C30	NI, , , 0603, , ,
1	C23	NI, 35V, ±10%, Case A, , TA035TCM105-KAL, Venkel
2	C24,C25	1000 pF, 3 kV, ±10%, 1812, , C1808X7R302-102KNE, Venkel
2	D1,D2	Dual Diode, 225 mA, 300 V, SOT-23, , CMPD2004S, Central Semiconductor
2	D3,D4	BAV99, 300 mA, 100 V, SOT-23, , BAV99, Diodes Inc.
2	FB1,FB2	Ferrite Bead, , , 1206, , BLM31A601S, MuRata
1	JP1	CON24, , , 8x3 100 mil, , SSW-108-01-T-T,
1	JP2	HEADER 5X2, , , 5x2 100 mil, , SSW-105-01-T-D,
2	L2,L1	0 ohm,, , Thru Hole, , Wire Jumper
2	Q3,Q1	NPN, 300 V, , SOT-23, , MMBTA42LT1, Motorola
1	Q2	PNP, 300 V, , SOT-23, , MMBTA92LT1, Motorola
1	Q4	NI, , , SOT-223, , ,
1	RV1	SiDactor, 275 V, 100 A, SOD 6, , P3100SB, Teccor
1	RV2	MOV, 240 V, 1250 A, Thru-Hole, , ERZ-V07D241, Panasonic
1	R1	51, 1/2 W, ±5%, 2010, , C2010-2W-510JT, Venkel
1	R2	15, 1/4 W, ±5%, 1206, , CR1206-4W-150JT, Venkel
2	R4,R21	301, 1/16 W, ±1%, 0603, , CR0603-16W-3010FT, Venkel
2	R6,R5	36 K, 1/16 W, ±5%, 0603, , CR0603-16W-363JT, Venkel
2	R10,R9	2 K, 1/10 W, ±5%, 0805, , CR0805-10W-202JT, Venkel
1	R11	NI, 16 V, ±10%, 0603, , C0603X7R160-272KNE, Venkel
1	R18	300, 1/10 W, ±5%, 0805, , CR0805-10W-301JT, Venkel
2	R23,R22	20 K, 1/10 W, ±5%, 0805, , CR0805-10W-203JT, Venkel
2	R28,R27	10, 1/10 W, ±5%, RC05, , CR0805-10W-100JT, Venkel
1	R29	0, 1/10 W, ±5%, 0603, , CR0603-10W-000JT, Venkel
1	U1	Si3021, , , 16SOIC, , Si3021-KS Rev. C, Silicon Labs
1	U2	Si3012/5, , , 16SOIC, , Si3012-KS Rev. G, Silicon Labs
1	Z1	Zener Diode, 18 V, , SOD-80, , ZMM18, General Semi
2	Z4,Z5	Zener Diode, 5.6 V, 500 mW, SOD123, , MMSZ5232B, General Semi

Si30xxPPT-EVB

Bill of Materials: Si3044-EVB Daughter Card

Quantity	Reference	Part
2	C4,C1	150 pF, 3 kV, $\pm 20\%$, 1812, , C1808X7R302-151MNE, Venkel
1	C3	0.22 uF, 25 V, $\pm 20\%$, 0805, , C0805X7R250-224MNE, Venkel
1	C5	0.1 uF, 50 V, $\pm 20\%$, Case A, , TA050TCM104-MAL, Venkel
3	C6,C10,C16	0.1 uF, 16 V, $\pm 10\%$, 0603, , C0603X7R160-104KNE, Venkel
2	C7,C8	560 pF, 250 V, $\pm 10\%$, 0805, , C0805X7R251-561KNE, Venkel
1	C9	10 nF, 250 V, $\pm 20\%$, 0805, , C0805X7R251-103KNE, Venkel
4	R4,C11,R21,C30	NI, , , 0603, , ,
1	C12	1.0 uF, 35 V, $\pm 10\%$, Case A, , TA035TCM105-KAL, Venkel
1	C13	0.22 uF, 25 V, $\pm 10\%$, 0805, , C0805X7R250-224KNE, Venkel
1	C14	0.68 uF, 16 V, $\pm 10\%$, 1206, , 1206YC684KATMA, AVX
2	C18,C19	3.9 nF, 16 V, $\pm 10\%$, 0603, , C0603X7R160-392KNE, Venkel
1	C20	0.01 uF, 16 V, $\pm 20\%$, 0603, , C0603X7R160-103KNE, Venkel
1	C22	1800 pF, 50 V, $\pm 10\%$, 0603, , C0603X7R500-182KNE, Venkel
1	C23	NI, , , Case A, , ,
2	C24,C25	1000 pF, 3 kV, $\pm 10\%$, 1812, , C1808X7R302-102KNE, Venkel
4	R22,R23,C28,C29	NI, , , 0805, , ,
2	D1,D2	Dual Diode, 225 mA, 300 V, SOT-23, , CMPD2004S, Central Semiconductor
2	D3,D4	BAV99, 300 mA, 100 V, SOT-23, , BAV99, Diodes Inc.
2	FB1,FB2	Ferrite Bead, , , 1206, , BLM31A601S, Murata
1	JP1	CON24, , , 8x3 100 mil, , SSW-108-01-T-T,
1	JP2	HEADER 5X2, , , 5x2 100 mil, , SSW-105-01-T-D,
2	L2,L1	330 uH, 150 mA, , Thru Hole, , EL0607-331J, TDK
2	Q3,Q1	NPN, 300 V, , SOT-23, , MMBTA42LT1, Motorola
1	Q2	PNP, 300 V, , SOT-23, , MMBTA92LT1, Motorola
1	Q4	NPN, 80 V, , SOT-223, , BCP56T1, Motorola
1	RV1	SiDactor, 275 V, 100 A, SOD 6, , P3100SB, Teccor
1	RV2	NI, , , Thru-Hole, , ,
1	R1	NI, , , 2010, , ,
1	R2	402, 1/8 W, $\pm 1\%$, 1206, , CR1206-8W-4020FT, Venkel
1	R3	NI, , , 0805, , , Venkel
1	R5	100 K, 1/16 W, $\pm 1\%$, 0603, , CR0603-16W-104FT, Venkel
1	R6	120 K, 1/16 W, $\pm 5\%$, 0603, , CR0603-16W-124JT, Venkel
6	R7,R8,R15,R16,R17,R19	5.36 K, 1/4 W, $\pm 1\%$, 1206, , CR1206-4W-5361FT, Venkel
2	R10,R9	56 K, 1/10 W, $\pm 5\%$, 0805, , CR0805-10W-563JT, Venkel
1	R11	9.31 K, 1/10 W, $\pm 1\%$, 0603, , CR0603-16W-9311FT, Venkel
1	R12	78.7, 1/16 W, $\pm 1\%$, 0603, , CR0603-16W-78R7FT, Venkel
1	R13	215, 1/16 W, $\pm 1\%$, 0603, , CR0603-16W-2150FT, Venkel
1	R18	2.2 K, 1/10 W, $\pm 5\%$, 0805, , CR0805-10W-222JT, Venkel
1	R24	150, 1/10 W, $\pm 5\%$, 0603, , CR0603-10W-150JT, Venkel
2	R25,R26	10 M, 1/10 W, $\pm 5\%$, 0805, , CR0805-10W-106JT, Venkel
2	R28,R27	10, 1/10 W, $\pm 5\%$, RC05, , CR0805-10W-100JT, Venkel
1	R29	NI, , , 0603, , ,
1	R30	0, 1/10 W, $\pm 5\%$, 0603, , CR0603-10W-000JT, Venkel
1	U1	Si3021, , , 16SOIC, , Si3021-KS Rev. C, Silicon Labs
1	U2	Si301x, , , 16SOIC, , Si3015-KS Rev. D, Silicon Labs
1	Z1	Zener Diode, 43 V, , SOD-80, , ZMM43, General Semi
2	Z4,Z5	Zener Diode, 5.6 V, 500 mW, SOD123, , MMSZ5232B, Diodes Inc.

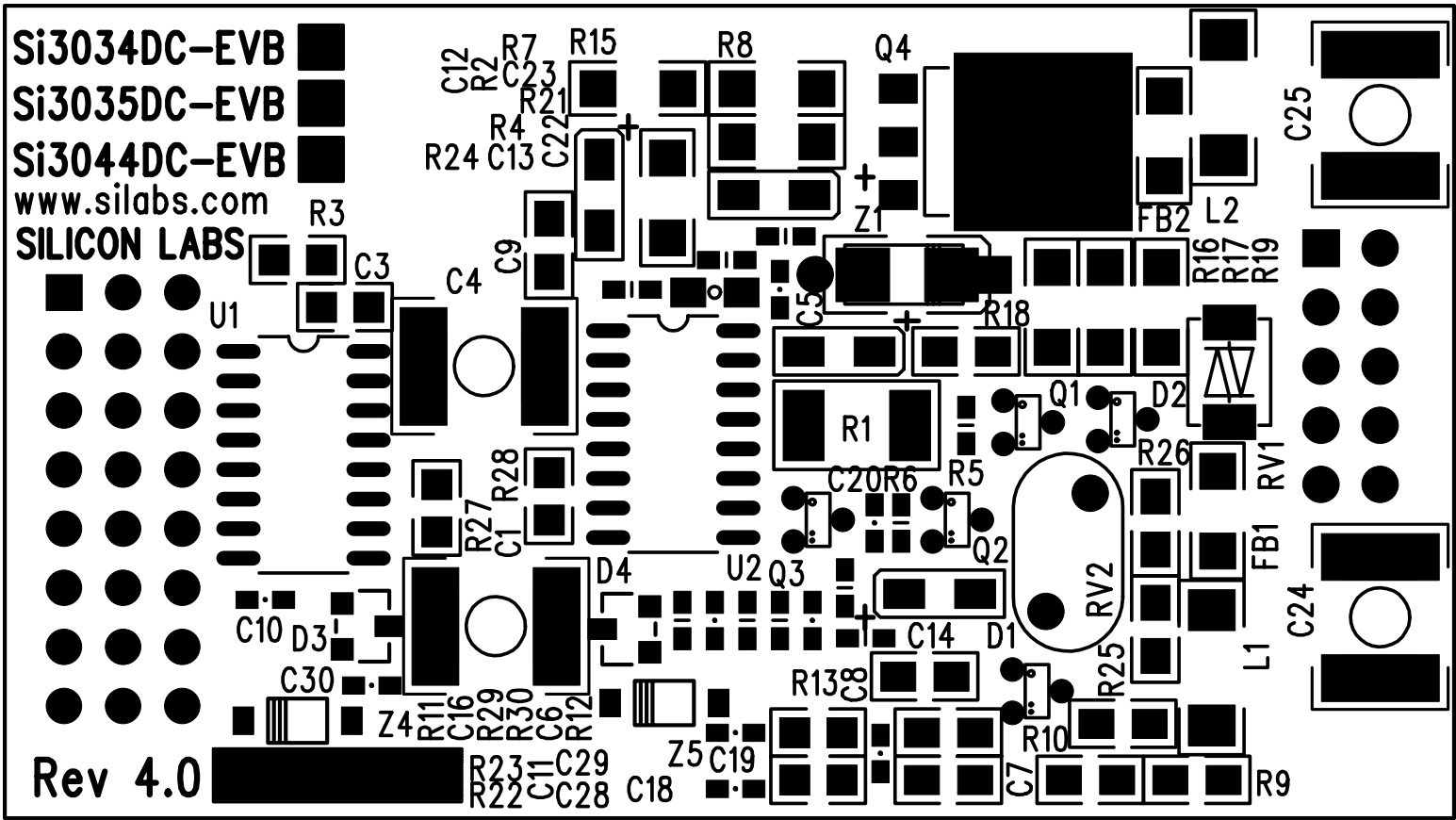


Figure 1. Si3034/35/44 Daughter Card Silkscreen

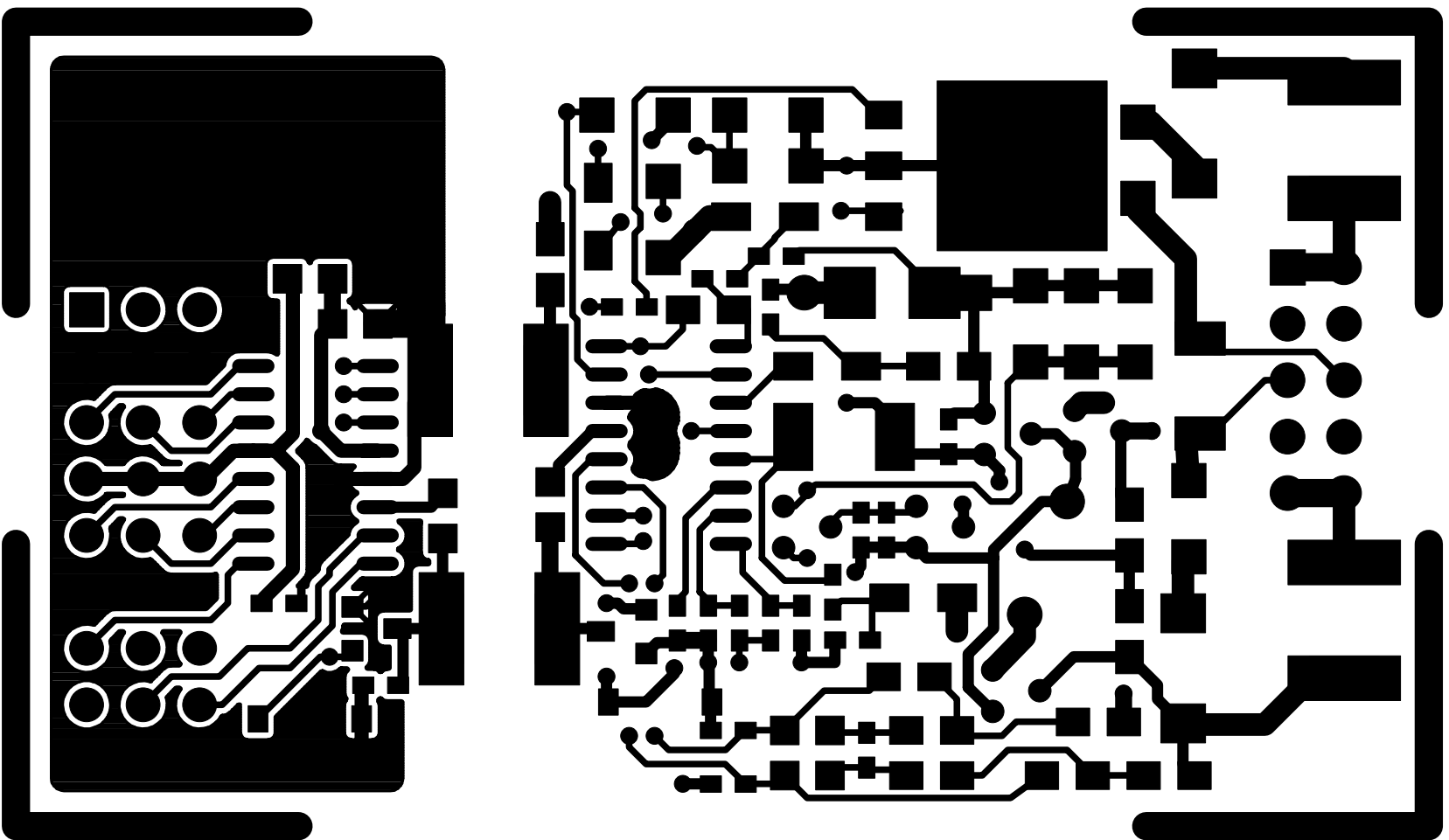


Figure 2. Si3034/35/44 Daughter Card Component Layer

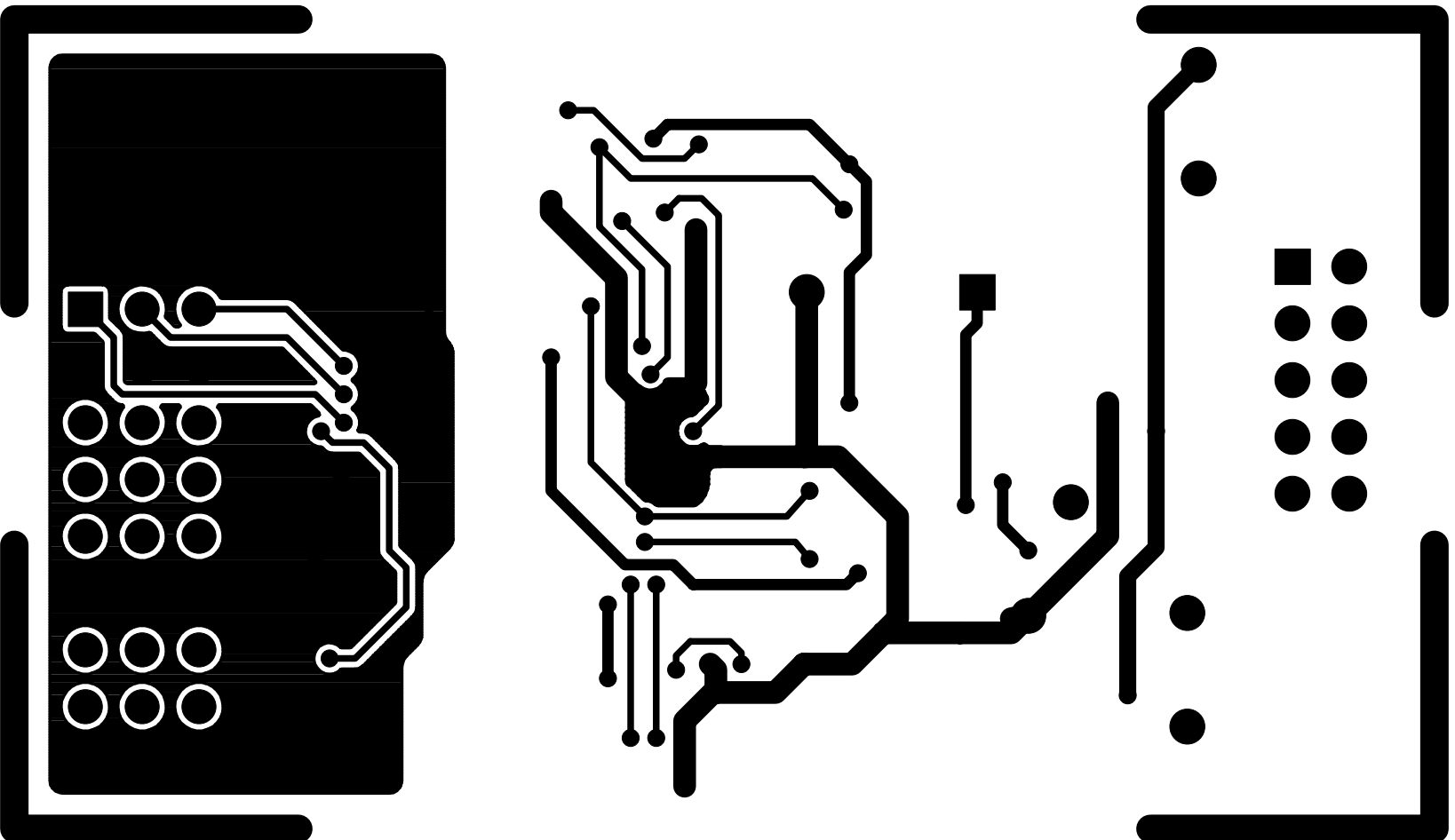


Figure 3. Si3034/35/44 Daughter Card Solder Layer

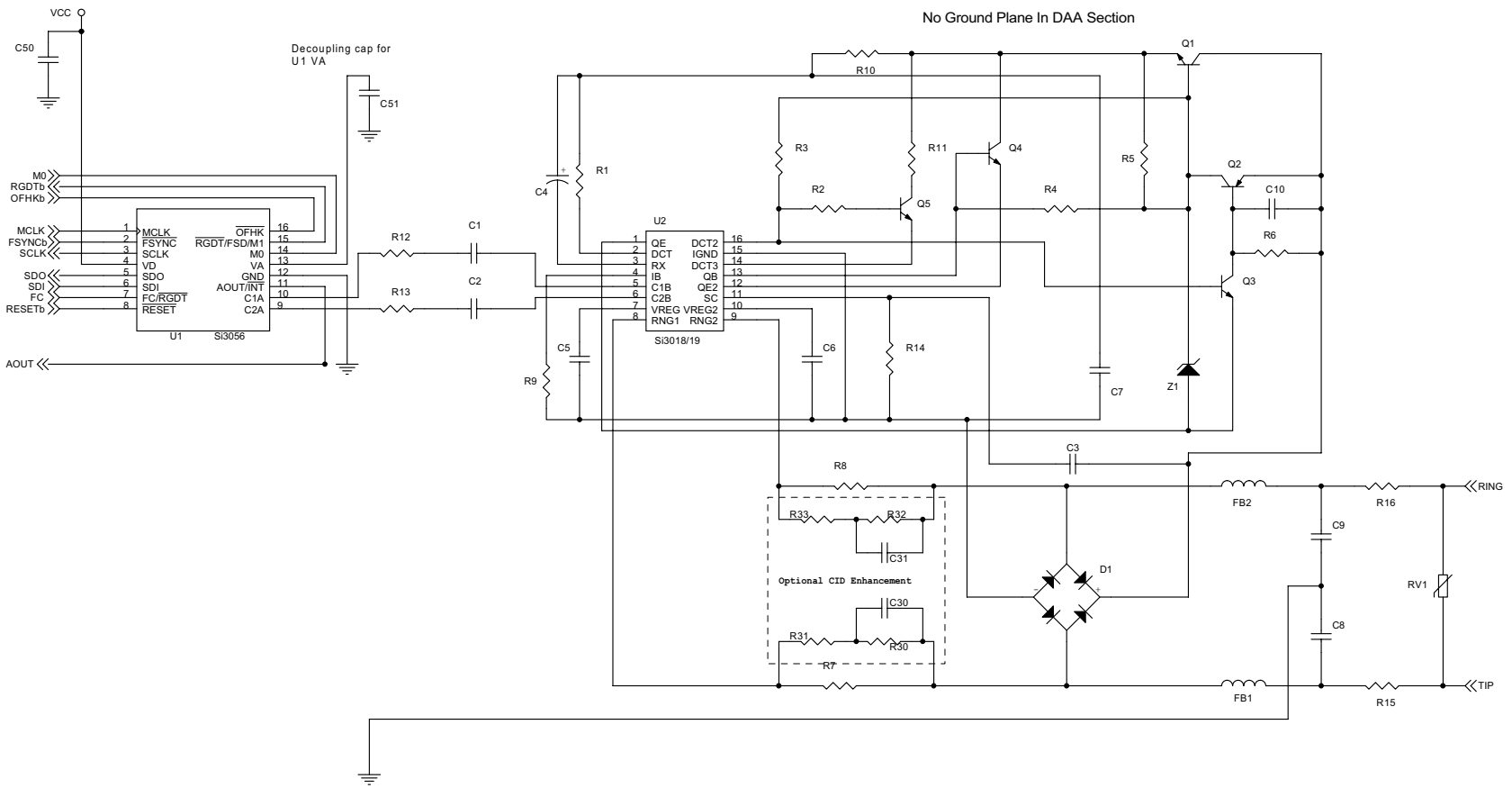


Figure 13. Si3056 Daughter Card Schematic (1 of 2)

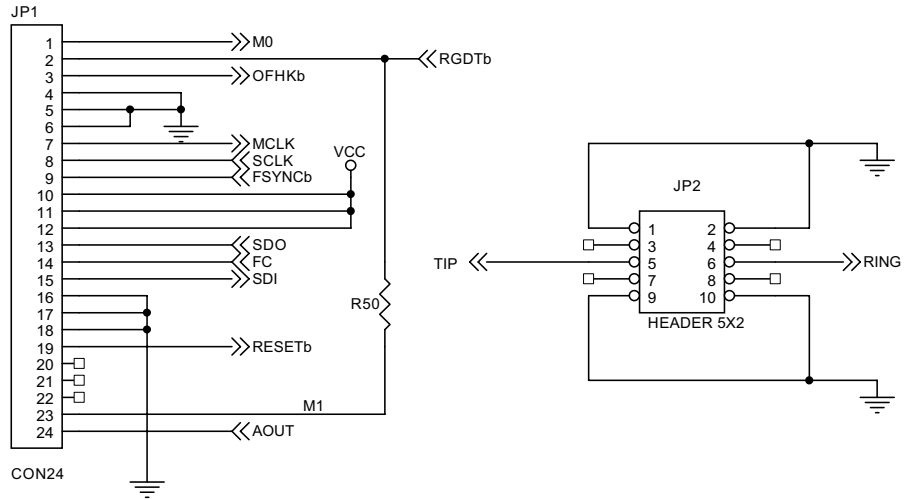
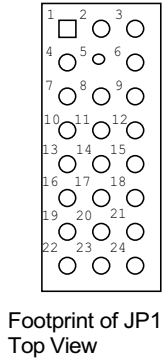


Figure 14. Si3056 Daughter Card Schematic (2 of 2)

Si30xxPPT-EVB

Bill of Materials: Si3056-EVB Daughter Card

Reference	Value	Tolerance	Rating	Part Number	Manufacturer	PCB Footprint
C2,C1	33 pF	±20%	Y2	ECCAUS330KGS	Panasonic	Thru-hole
C3	10 nF	±20%	250 V	C0805X7R251-103MNE	Venkel	805
C4	1.0 uF	±20%	50 V	ECE-V1HS010SR	Panasonic	Size A
C6,C5	0.1 uF	±20%	16 V	C0603X7R160-104MNE	Venkel	603
C7	2.7 nF	±20%	50 V	C0603X7R500-272MNE	Venkel	603
C9,C8	680 pF	±10%	Y2	ECKATS681KBS	Panasonic	Thru-hole
C10	0.01 uF	±20%	16 V	C0603X7R160-103MNE	Venkel	603
C30,C31	DNP 120pF	±20%	250 V	C0805X7R251-121MNE	Venkel	805
C51,C50	0.1 uF	±20%	16 V	C0805X7R160-104MNE	Venkel	805
D1	HD04		400 V	HD04-T	Diodes, Inc.	Mini-DIP
FB1,FB2	Ferrite Bead			BLM21A601S	MuRata	805
JP1	CON24			SSW-108-02-G-T	Samtec	3x8 100 mil
JP2	HEADER 5X2			SSW-105-01-T-D	Samtec	5x2 100 mil
Q3,Q1	NPN		300 V	MMBTA42LT1	Motorola	SOT-23
Q2	PNP		300 V	MMBTA92LT1	Motorola	SOT-23
Q4,Q5	NPN		80 V	MMBTA06LT1	Motorola	SOT-23
RV1	SiDactor	100 A	275 V	P3100SB	Teccor	SOD 6
R1	1.07 K	±1%	1/2 W	CR1210-2W-1071FT	Venkel	1210
R2	150	±5%	1/16 W	CR0402-16W-150JT	Venkel	402
R3	3.65 K	±1%	1/2 W	CR1210-2W-3651FT	Venkel	1210
R4	2.49 K	±1%	1/2 W	CR1210-2W-2491FT	Venkel	1210
R6,R5	100 K	±5%	1/16 W	CR0402-16W-104JT	Venkel	402
R8,R7	20 M	±1%	1/8 W	CR0805-8W-2005FT	Venkel	805
R9	1 M	±1%	1/16 W	CR0402-16W-1004FT	Venkel	402
R10	536	±1%	1/4 W	CR1206-4W-5360FT	Venkel	1206
R11	73.2	±1%	1/2 W	CR1210-2W-73R2FT	Venkel	1210
R12,R13,R14	0	±1%	1/16 W	CR0603-16W-000F	Venkel	603
R16,R15	0	±1%	1/16 W	CR0805-16W-000F	Venkel	805
R32,R30	DNP 15M	±5%	1/8 W	CR0805-8W-156JT	Venkel	805
R31,R33	DNP 5.1M	±5%	1/8 W	CR0805-8W-515JT	Venkel	805
R50	47 K	±5%	1/16 W	CR0603-16W-473JT	Venkel	603
U1	Si3056			Si3056-KS Rev C	Silicon Labs	16SOIC
U2	Si3018/19			Si3018-KS Rev C	Silicon Labs	16SOIC
Z1	43 V		1/2 W	ZMM43	General Semi	SOD-80

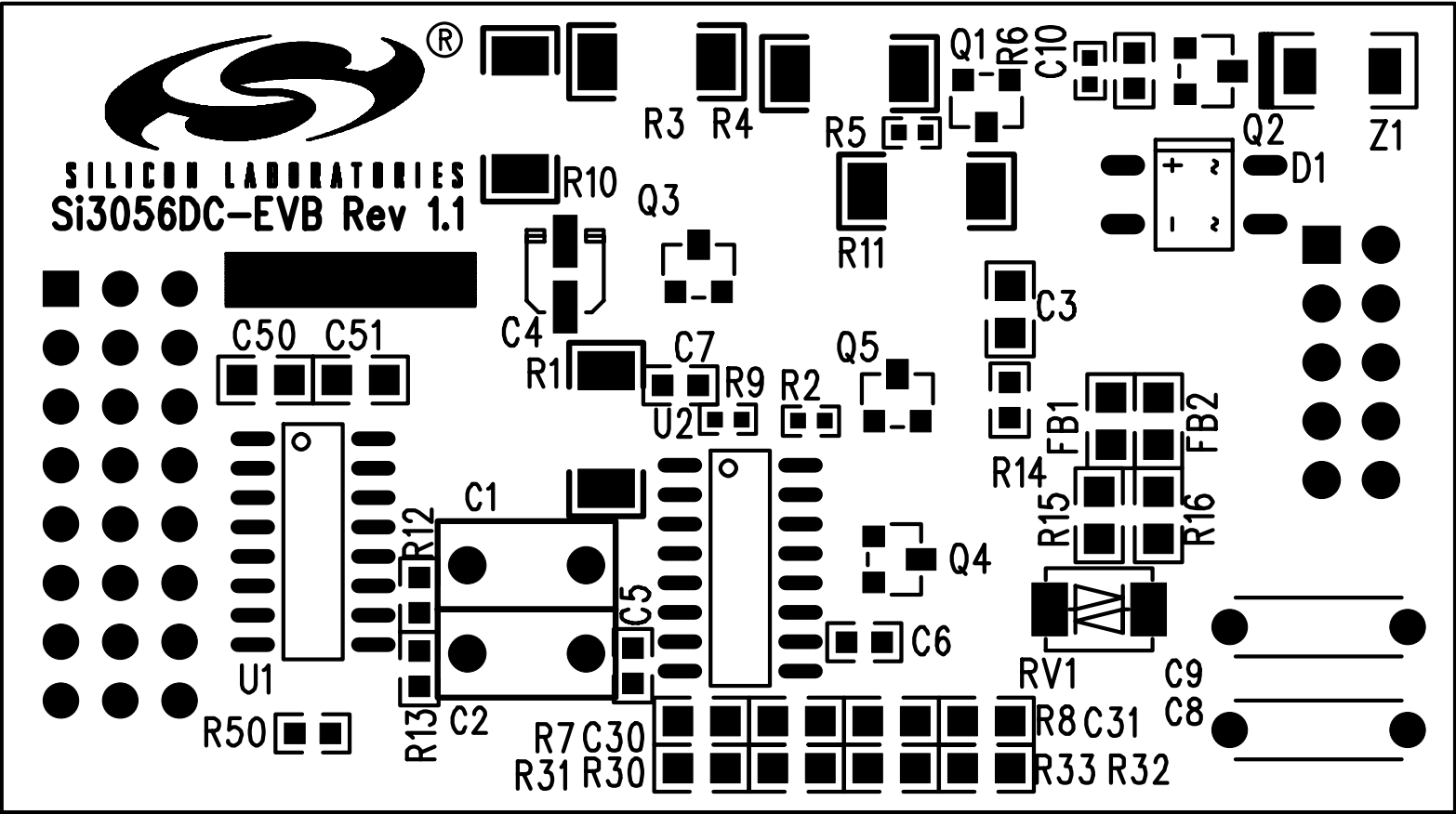


Figure 15. Si3056 Daughter Card Silkscreen

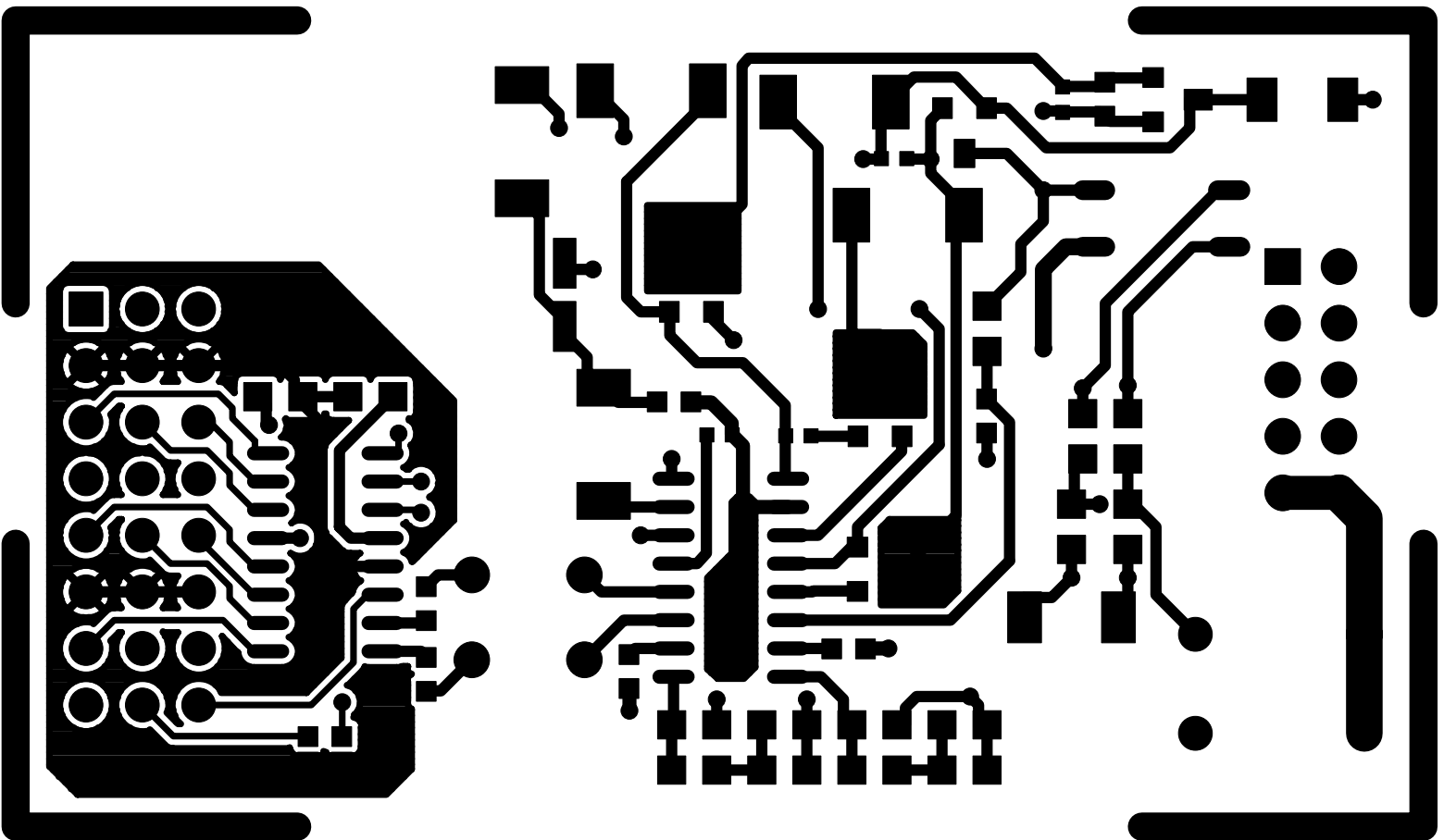


Figure 16. Si3056 Daughter Card Component Layer

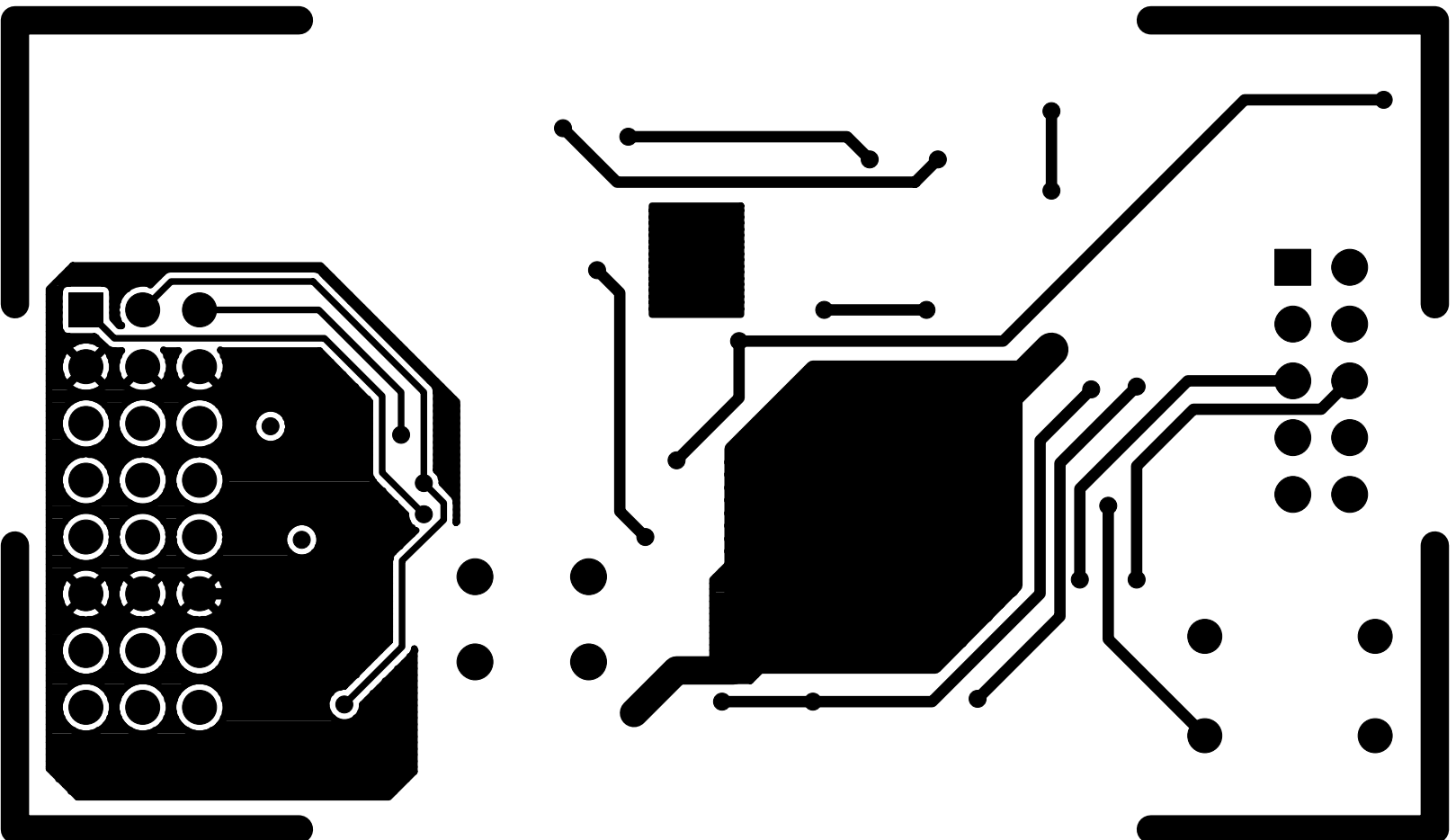


Figure 17. Si3056 Daughter Card Solder Layer

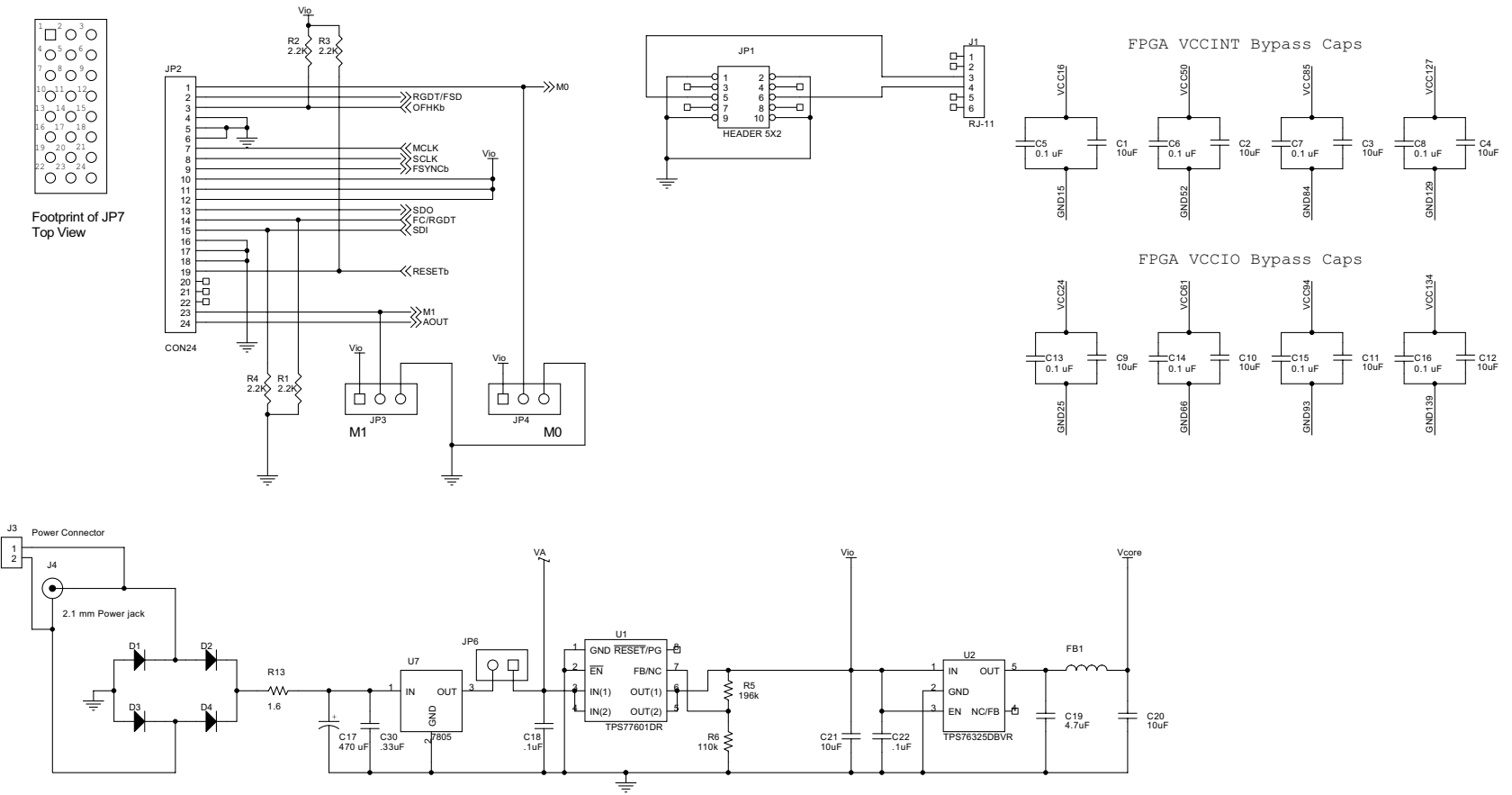
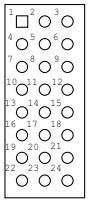


Figure 18. Si30xx Motherboard Schematic (1 of 3)



Footprint of JP7
Top View

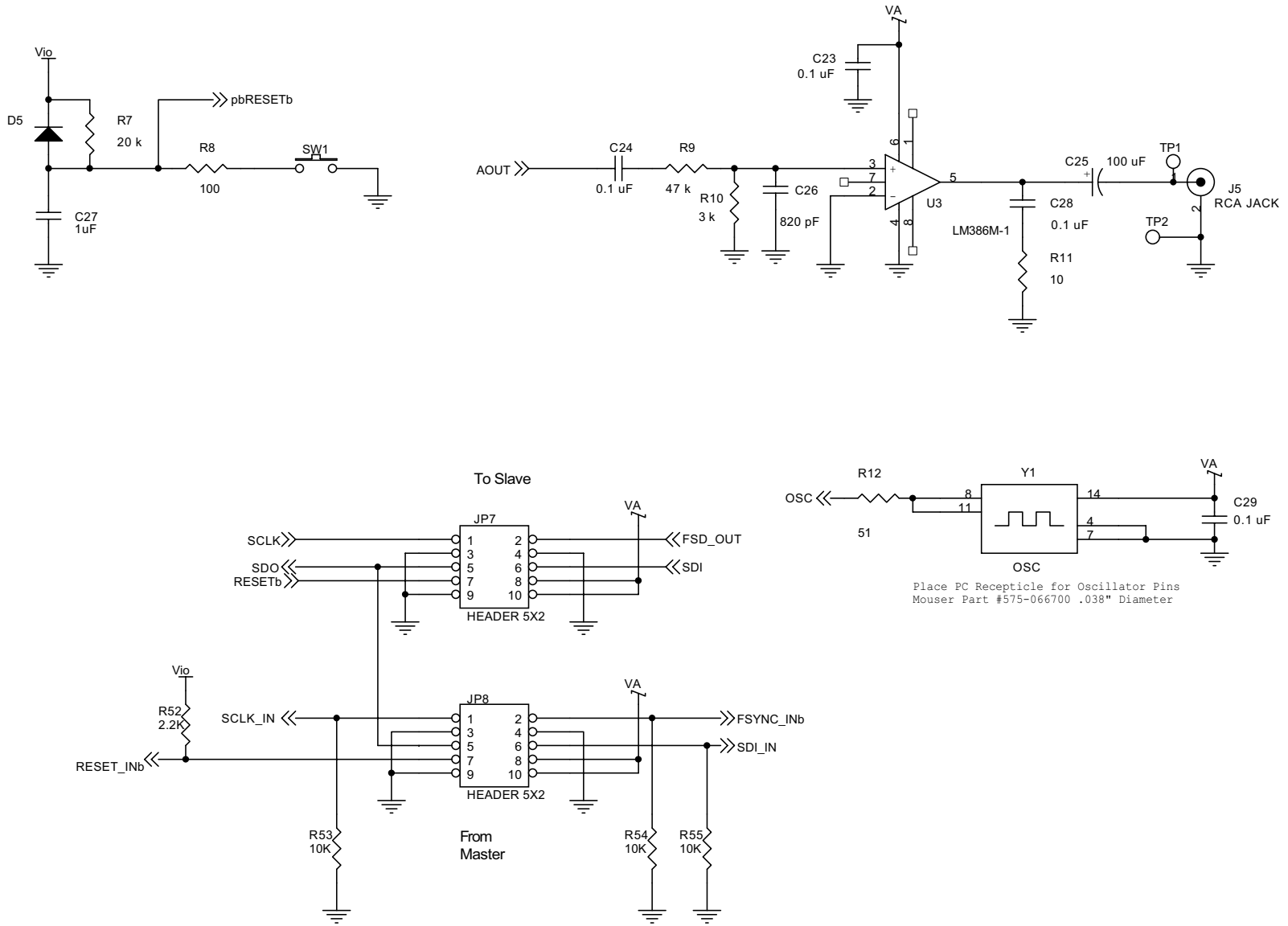


Figure 19. Si30xx Motherboard Schematic (2 of 3)

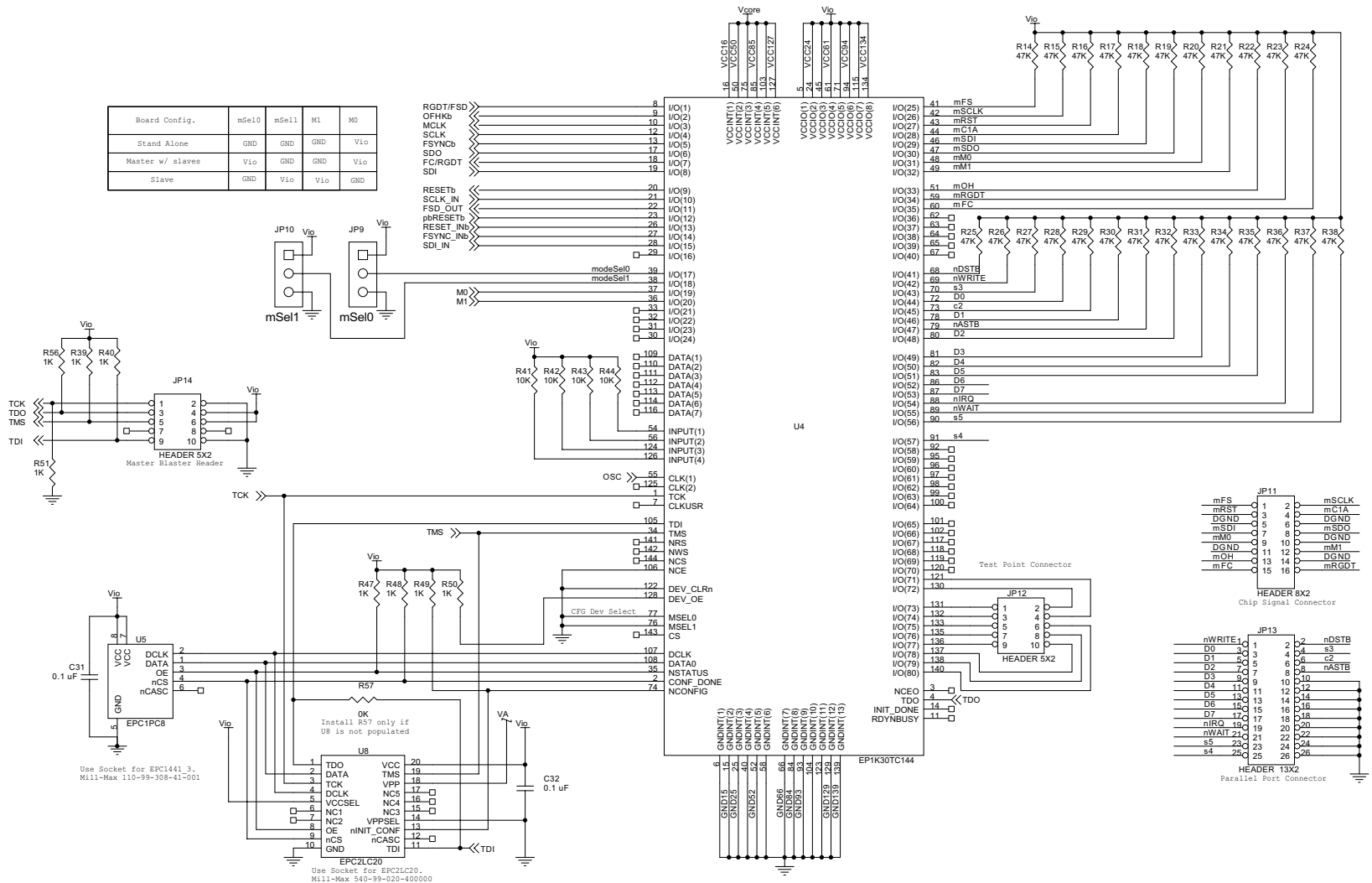


Figure 20. Si30xx Motherboard Schematic (3 of 3)



Bill of Materials: Si30XX Motherboard

Item	Qty	Reference	Part
1	10	C1,C2,C3,C4,C9,C10,C11, C12,C20,C21	10uF, 10 V, ±10%, 1206, , C1206X7R100-106KNE, Venkel
2	14	C5,C6,C7,C8,C13,C14,C15, C16,C23,C24,C28,C29,C31, C32	0.1 uF, 16 V, ±10%, 0603, , C0603X7R160-104KNE, Venkel
3	1	C17	470 uF, 25 V, ±20%, radial 10x16, , UVX1E471MPA, NIC Components
4	2	C18,C22	.1uF, 25V, , 0805, , C0805X7R250-104KNE, Venkel
5	1	C19	4.7uF, 10V, +/-10%, 1206, , TDKC3216X5RA475KT, CLASSIC COMP
6	1	C25	100 uF, 16 V, ±10%, radial 6.3x11, , , TTI
7	1	C26	820 pF, 50 V, ±5%, 0805, , C0805COG500-821JNE, Venkel
8	1	C27	1uF, 10 V, ±10%, 1206, , C1206X7R100-105KNE, Venkel
9	1	C30	.33uF, 25V, , 0805, , C0805G334Z3NT, CLASSIC COMP
10	4	D1,D2,D3,D4	DIODE, 30 V, 0.5 A, SOD-123, , MBR0530T1, Motorola
11	1	D5	DIODE, 400 mA, 75 V, DO-35, , 1N4148, Diodes, Inc.
12	1	FB1	Ferrite Bead on wire, 3x1x4 (mm), , thru-hole 2, , 2743015112, Fair-Rite
13	1	JP1	HEADER 5X2, , , 5x2 100 mil, , TMM-105-01-G-D, Samtec
14	1	JP2	CON24, , , 3x8 100 mil, , TSW-108-07-G-T, Samtec
15	4	JP3,JP4,JP9,JP10	3X1 Header, , , 3x1 100 mil, , 68000-403, Berg Electronics
16	1	JP6	2X1 Header, , , 2x1 100 mil, , 517-6111TN, Mouser
17	1	JP7	HEADER 5X2, , , 10 pin thru-hole, , TSW-105-08-T-D-RA, Samtec
18	1	JP8	HEADER 5X2, , , 10 pin thru-hole, , SSW-105-02-T-D-RA, Samtec
19	1	JP11	HEADER 8X2, , , 8x2 100 mil, ,
20	2	JP14,JP12	HEADER 5X2, , , 5x2 100 mil, ,
21	1	JP13	HEADER 13X2, , , 13X2 100 mil, , 13x2 pin Header with Shroud, Mouser
22	1	J1	RJ-11, , , thru-hole 6, , 154-0L6641, Mouser
23	1	J3	Power Connector, , , thru-hole 2, , TSA-2, Adam Tech
24	1	J4	2.1 mm Power jack, , , thru-hole 3, , ADC-002-1, Adam Tech
25	1	J5	RCA JACK, , , thru-hole, , 16J097, Mouser
26	5	R1,R2,R3,R4,R52	2.2K, , , 0805, , CR0805-10W-222JT, Venkel
27	1	R5	196k, , , 0805, , MCHRIDEZHFX1963E, Classic Comp
28	1	R6	110k, , , 0805, , CR21-114J-T, Classic Comp
29	1	R7	20 k, 1/10 W, ±1%, 0805, , NRC10F2002TR, NIC Components
30	1	R8	100, 1/4 W, ±1%, 1206, , MCR18EZHMFX1000, Rohm
31	1	R9	47 k, 1/10 W, ±5%, 0805, , NRC10J473TR, NIC Components
32	1	R10	3 k, 1/10 W, ±5%, 0805, , NRC10J302TR, NIC Components
33	1	R11	10, 1/10 W, ±1%, 0805, , NRC10F10R0TR, NIC Components
34	1	R12	51, 1/10 W, ±5%, 0805, , CR21-510J-T, AVX
35	1	R13	1.6, , +5%, 1206, , CR1206-8W-1R6JT, Venkel
36	25	R14,R15,R16,R17,R18,R19, R20,R21,R22,R23,R24,R25, R26,R27,R28,R29,R30,R31, R32,R33,R34,R35,R36,R37, R38	47K, , , 0603, , CR0603-16W-473JT, Venkel
37	2	R40,R39	1K, , , 0603, , CR0603-16W-1002FT, Venkel
38	7	R41,R42,R43,R44,R53,R54, R55	10K, , , 0603, , CR0603-16W-1002FT, Venkel
39	6	R47,R48,R49,R50,R51,R56	1K, , , 0603, , MCR03FZHJ102, TTI
40	1	SW1	SW PUSHBUTTON, , , thru-hole 4, , 101-0161, Mouser
41	1	TP1	Test Point, , , thru-hole, , 151-207, Mouser
42	1	TP2	Test Point, , , thru-hole, , 151-203, Mouser
43	1	U1	TPS77601DR, , , 8-Pin SOIC, , , Texas Instruments
44	1	U2	TPS76325DBVR, , , 5-Pin SOT-23, , , Texas Instruments
45	1	U3	OP-AMP, , , M, , LM386M-1, National Semi
46	1	U4	EP1K30TC144, , , TQFP-144, , EP1K30TC144-3, Altera
47	1	U7	7805, , , TO-220AB, , uA7805CKC, Texas Instruments
48	1	U5	Socket, , , DIP-8, , 110-99-308-41-001, Mill-Max
49	6	Y1	PC Receptacle, .038" Diameter, 575-06670, Mouser
50	1	R57	0K, , , 0603, , CR0603-16W-000T, Venkel
51	4	N/A	1/2" Plastic Standoff
52	4	N/A	Plastic Screw

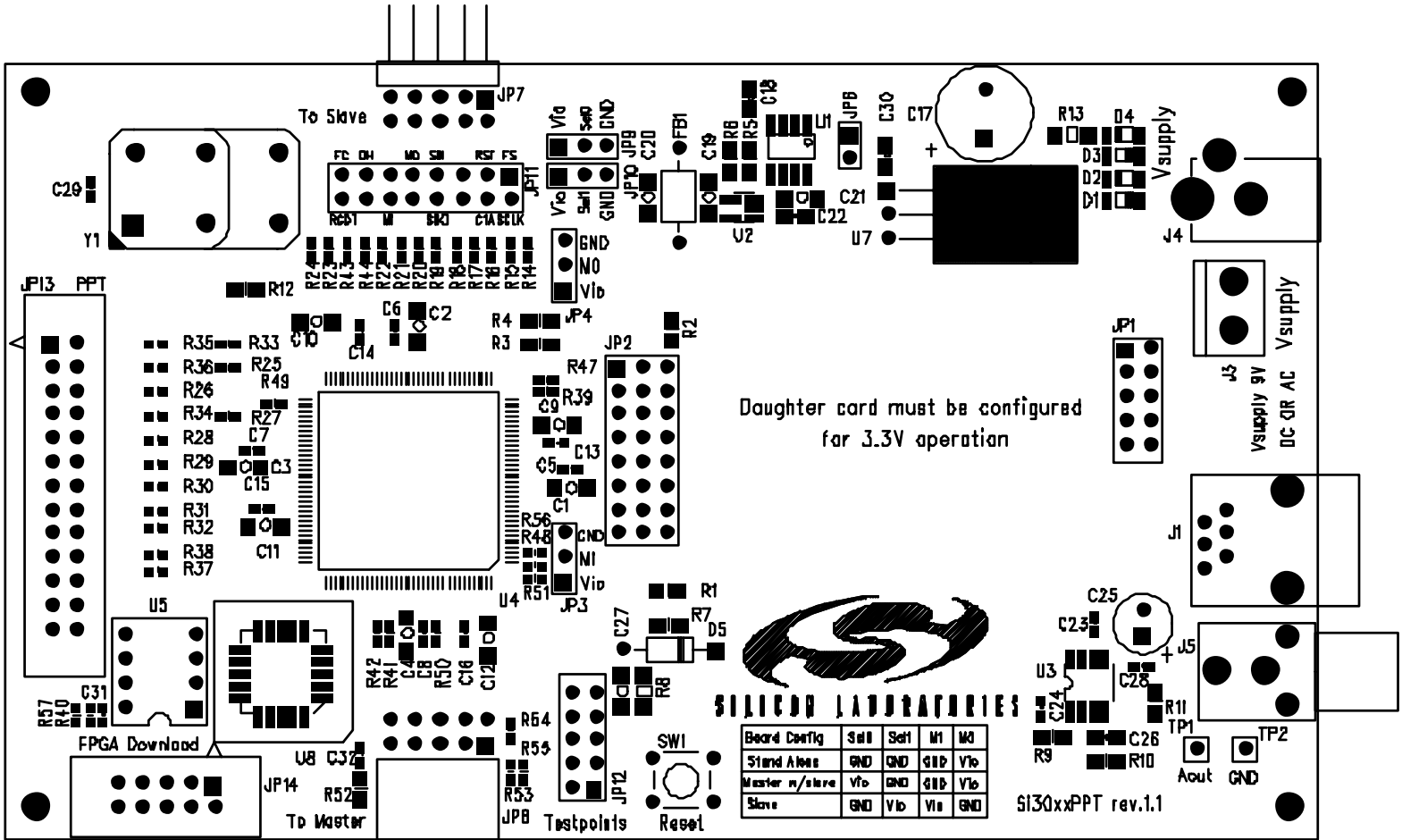


Figure 21. Si30xx Motherboard Silkscreen

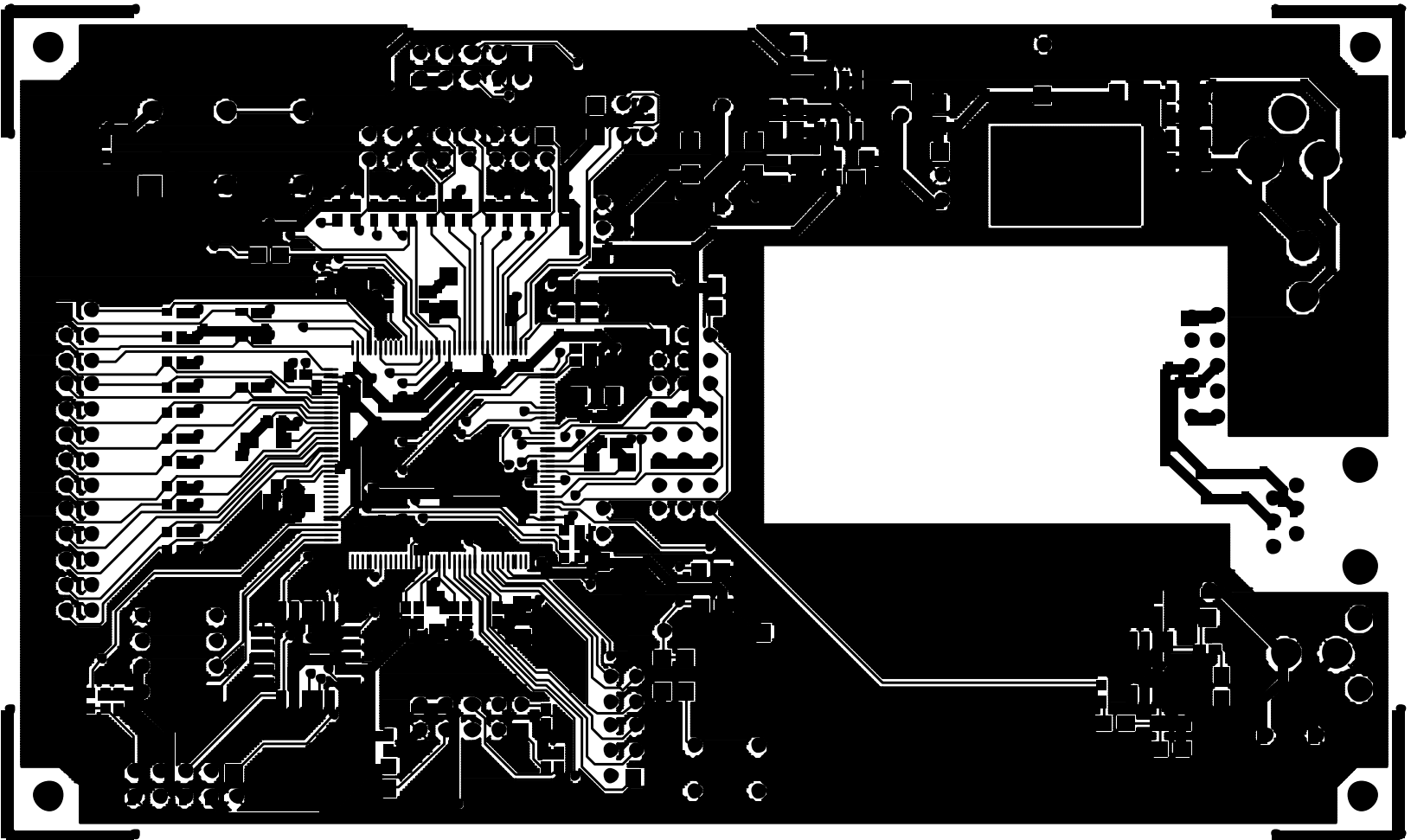


Figure 22. Si30xx Motherboard Component Layer

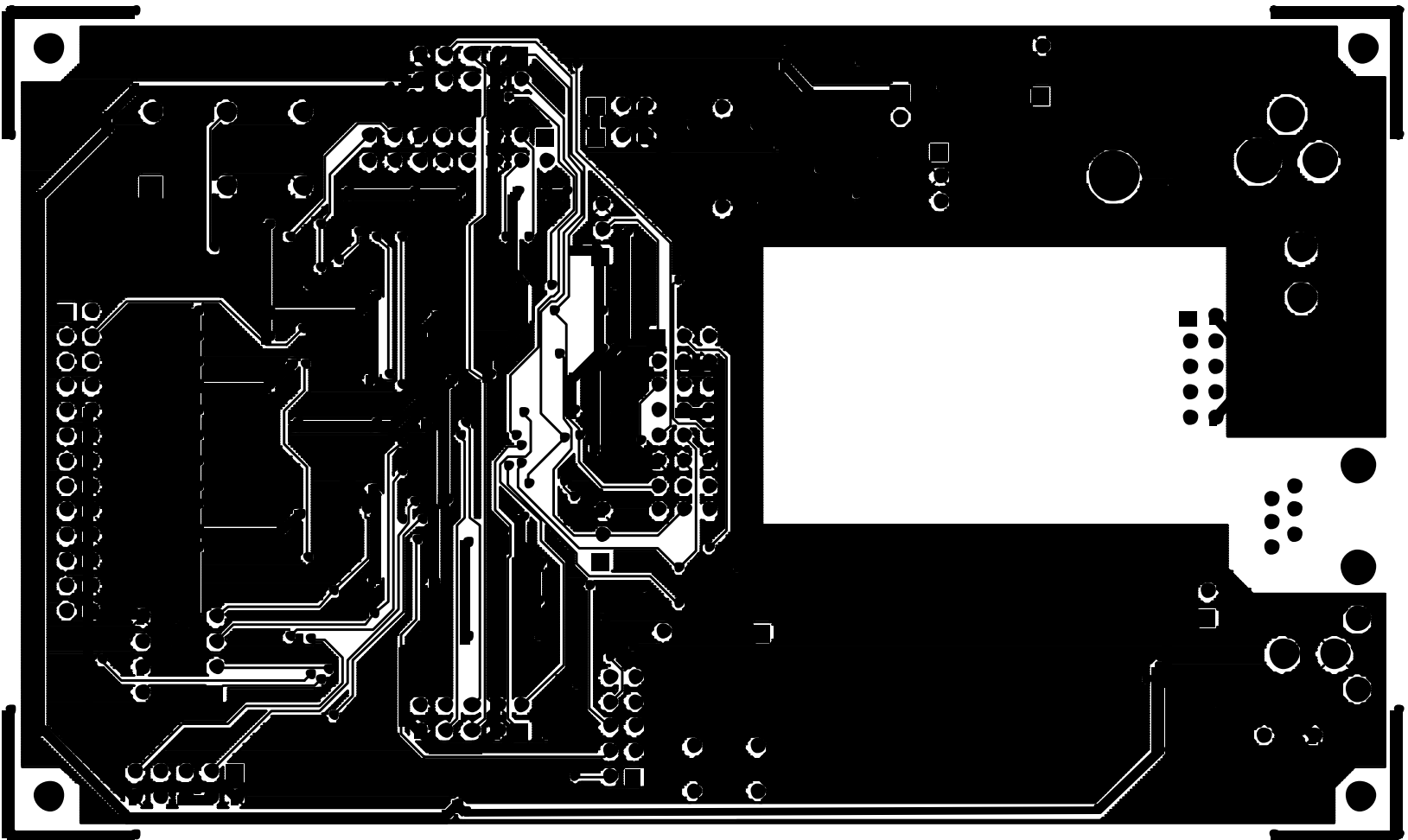


Figure 23. Si30xx Motherboard Solder Layer

Notes:

Si30xxPPT-EVB

Contact Information

Silicon Laboratories Inc.
4635 Boston Lane
Austin, TX 78735
Tel: 1+(512) 416-8500
Fax: 1+(512) 416-9669
Toll Free: 1+(877) 444-3032
Email: productinfo@silabs.com
Internet: www.silabs.com

The information in this document is believed to be accurate in all respects at the time of publication but is subject to change without notice. Silicon Laboratories assumes no responsibility for errors and omissions, and disclaims responsibility for any consequences resulting from the use of information included herein. Additionally, Silicon Laboratories assumes no responsibility for the functioning of undescribed features or parameters. Silicon Laboratories reserves the right to make changes without further notice. Silicon Laboratories makes no warranty, representation or guarantee regarding the suitability of its products for any particular purpose, nor does Silicon Laboratories assume any liability arising out of the application or use of any product or circuit, and specifically disclaims any and all liability, including without limitation consequential or incidental damages. Silicon Laboratories products are not designed, intended, or authorized for use in applications intended to support or sustain life, or for any other application in which the failure of the Silicon Laboratories product could create a situation where personal injury or death may occur. Should Buyer purchase or use Silicon Laboratories products for any such unintended or unauthorized application, Buyer shall indemnify and hold Silicon Laboratories harmless against all claims and damages.

Si-LINK, Silicon Laboratories, and Silicon Labs are trademarks of Silicon Laboratories Inc.

Other products or brandnames mentioned herein are trademarks or registered trademarks of their respective holders.