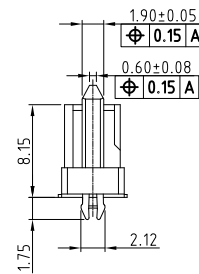
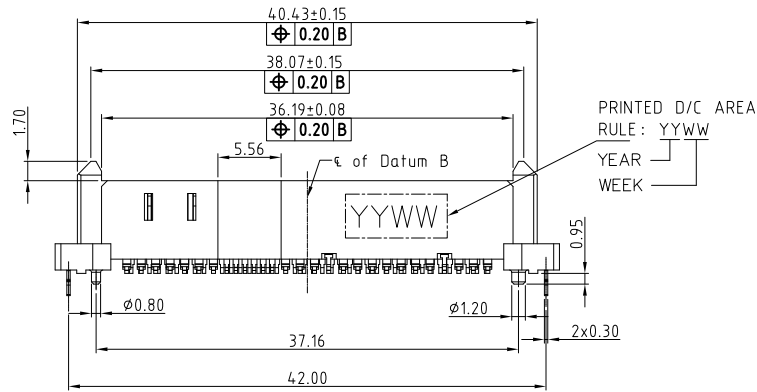
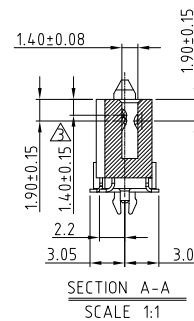
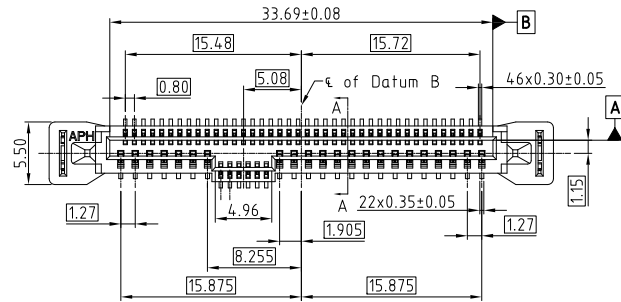
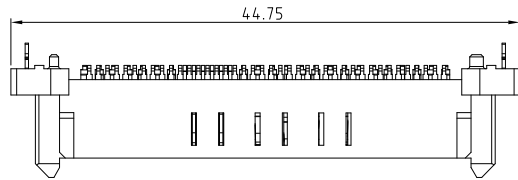


This document is the property of Amphenol Corporation and is delivered on the express condition that it is not to be disclosed, reproduced or used, in whole or in part, for manufacture or sale by anyone other than Amphenol Corporation without its prior consent, & that no right is granted to disclose or to use any information in this document.

CUSTOMER DRAWING

REVISIONS				
SYM	ECN	DESCRIPTION	DATE	APPROVED
1	NA	FIRST RELEASE	8/27/13	IP
2	HK7574	UPDATE THE BOARD LOCK LENGTH TO 1.75mm	7/20/14	IP
3	HK7640	INCREASE DATE CODE	7/19/17	IP
4	NA	INCREASE PACKING DRAWING	08/22/17	IP
5	NA	UPDATED DIMENSION	04/08/19	IP



NOTES

- MATERIAL
 - HOUSING: HIGH TEMPERATURE THERMOPLASTIC, UL94V-0, COLOR:BLACK.
 - CONTACTS : PHOSPHOR BRONZE
PLATING: REFER TO P/N SYSTEM ON MATING AREA.
1.27um MIN NICKEL UNDER PLATED OVERALL.
2.54um MIN PURE MATTE TIN ON SOLDER TAILS.
 - SOLDER CLIPS: COPPER ALLOY
2.54um MIN PURE MATTE TIN OVER 1.27um MIN NICKEL.
- GENERAL SPECIFICATION
 - CURRENT RATING: 1.5A/PER PIN (POWER SECTION).
 - CONTACT RESISTANCE: 30mΩ MAX (INITIAL).
 - INSULATOR RESISTANCE: 1000MΩ MIN.
 - DIELECTRIC WITHSTANDING VOLTAGE: 500 VAC
 - OPERATION TEMPERATURE: -40°C~+85°C
- PREMATING AT P4 & P12
- SUPPORT PCIe GEN3 AND SAS3.0
- DIMENSIONING SHALL BE INTERPRETED PER ASME Y14.5M 1994.
- MATERIAL SHOULD BE FULFILLED AMPHENOL SPEC.# S-SN-002, FOR HALOGEN FREE PRODUCTS, ALSO NEED TO MEET S-SN-004.
- ORDER P/N SYSTEM: PSASF313013XXXX

MATING AREA PLATING ——— PACKING STYLE
 1- 0.76um MIN Au. NIL- TRAY
 2- 0.38um MIN Au. TR- TAPE AND REEL
 3- Gold FLASH
 4- G/F over Pd/Ni

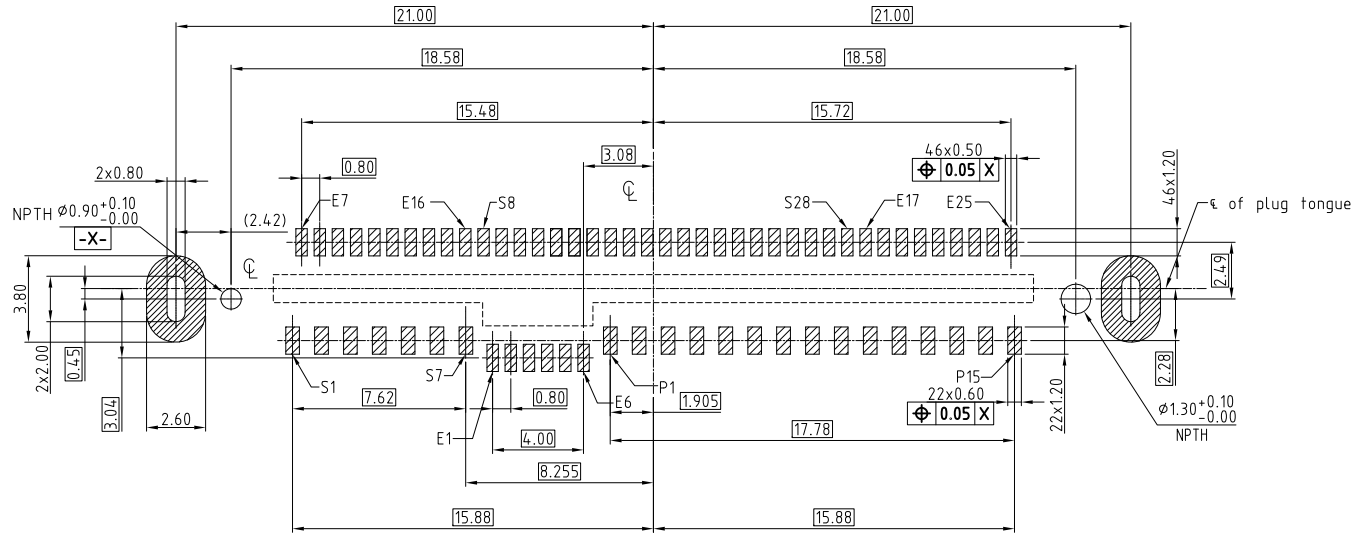


UNLESS OTHERWISE SPECIFIED TOLERANCES U.S. METRIC .XX +/- 0.50 .XX +/- 0.20 .XXX +/- 0.15 FRACTIONS +/- 3' ANGLES +/-	APPROVAL	DATE	Amphenol Amphenol East Asia Limited TITLE PCIe/SAS VERTICAL SMT RECEPTACLE SIZE DRAWING NO. A3 PSASF313013XXX SCALE NONE SHEET 1 OF 3
	DRAWN Jackie Tan	04/08/19	
	CHECKED Xiang Wang	04/08/19	
	CHECKED		
FOR MATERIALS AND FINISHES SEE NOTES	DRAWING FILE : Drawing\PSAS\PSASF313013XXX-S		
REMOVE SHARP EDGES	ANGLE OF PROJECTION		
DIMENSIONS U.S. INCHES (METRIC) (MM)			

This document is the property of Amphenol Corporation and is delivered on the express condition that it is not to be disclosed, reproduced or used, in whole or in part, for manufacture or sale by anyone other than Amphenol Corporation without its prior consent, & that no right is granted to disclose or to use any information in this document.

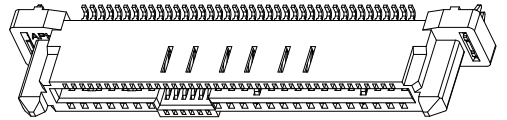
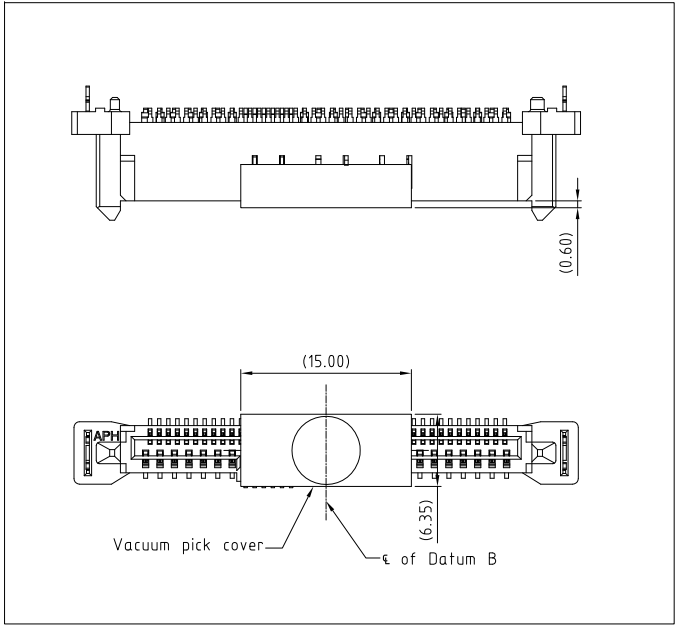
CUSTOMER DRAWING

REVISIONS				
SYM	ECN	DESCRIPTION	DATE	APPROVED
REFER TO SHEET 1				



With Pick-up Cover

RECOMMENDED PCB LAYOUT
GENERAL TOLERANCE ± 0.05 mm

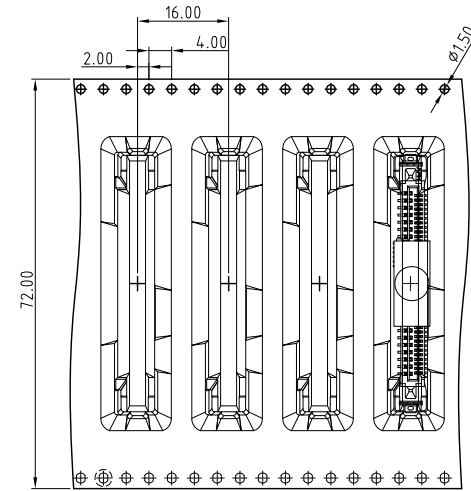
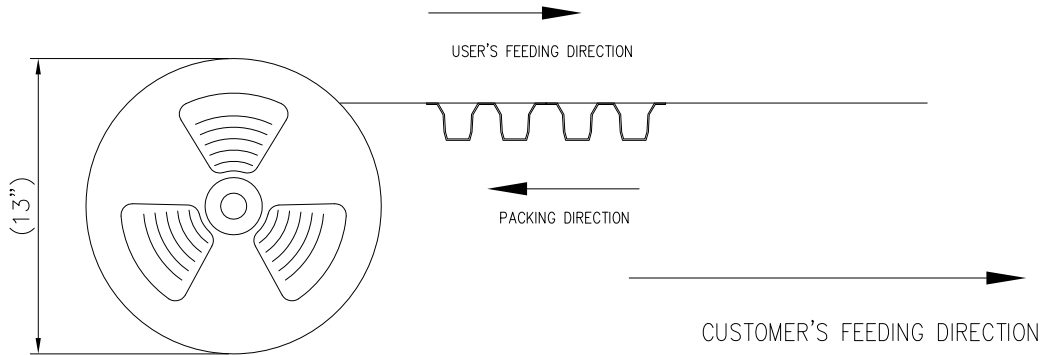
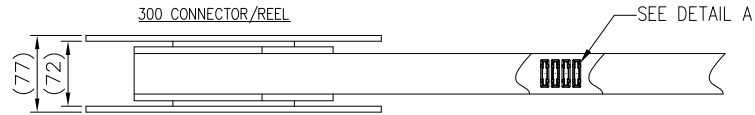


UNLESS OTHERWISE SPECIFIED TOLERANCES		APPROVAL	DATE	Amphenol Amphenol East Asia Limited
U.S. METRIC		DRAWN Jackie Tan	04/08/19	
.XX +/-	0.50	CHECKED Kiang Wang	04/08/19	
.XXX +/-	0.20	CHECKED		
FRACTIONS +/-	3'	DRAWING FILE : Drawing\PSAS\PSASF313013XXX-5		TITLE PCIe/SAS VERTICAL SMT RECEPTACLE
FOR MATERIALS AND FINISHES SEE NOTES				SIZE DRAWING NO. A3 PSASF313013XXX
REMOVE SHARP EDGES		ANGLE OF PROJECTION		REV. 5
DIMENSIONS		U.S. INCHES		SCALE NONE
(METRIC) (MM)		(METRIC) (MM)		SHEET 2 OF 3

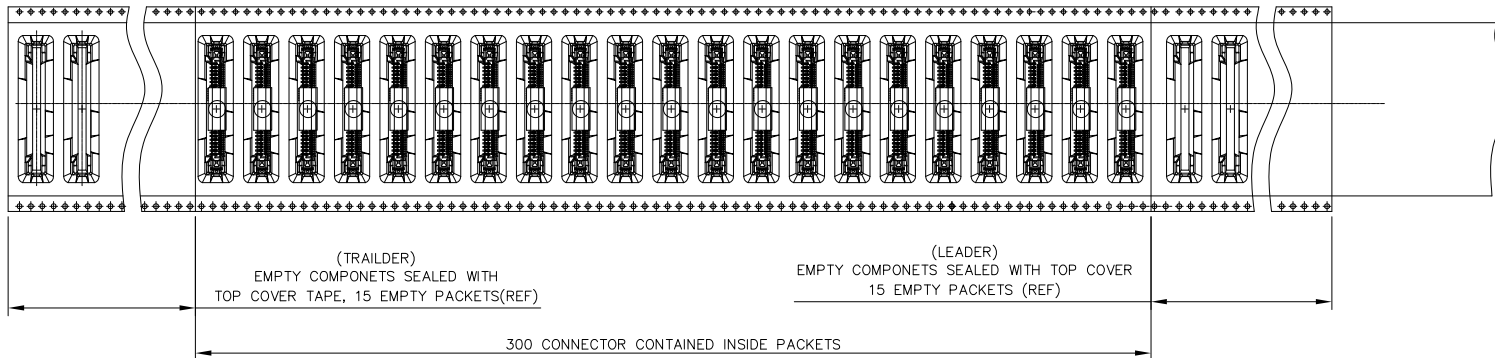
This document is the property of Amphenol Corporation and is delivered on the express condition that it is not to be disclosed, reproduced or used, in whole or in part, for manufacture or sale by anyone other than Amphenol Corporation without its prior consent, & that no right is granted to disclose or to use any information in this document.

CUSTOMER DRAWING

REVISIONS				
SYM	ECN	DESCRIPTION	DATE	APPROVED
REFER TO SHEET 1				



DETAIL A
SCALE 2:1



UNLESS OTHERWISE SPECIFIED		APPROVAL		DATE	Amphenol Amphenol East Asia Limited TITLE PCIe/SAS VERTICAL SMT RECEPTACLE SIZE DRAWING NO. A3 PSASF313013XXX SCALE NONE SHEET 3 OF 3
TOLERANCES		DRAWN Jackie Tan		04/08/19	
U.S. METRIC		CHECKED Xiang Wang		04/08/19	
.XX +/- 0.50		CHECKED			
.XXX +/- 0.25		DRAWING FILE :		Drawing\PSAS\PSASF313013XXX-5	
ANGLES +/- 3°		REMOVE SHARP EDGES		ANGLE OF PROJECTION	
DIMENSIONS		U.S. INCHES			
(METRIC) (MM)					