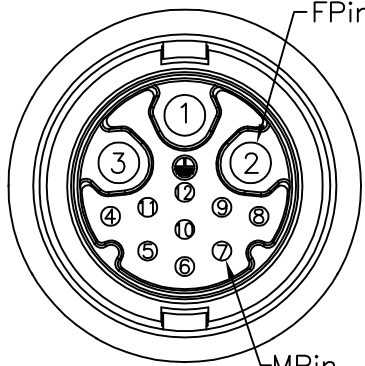
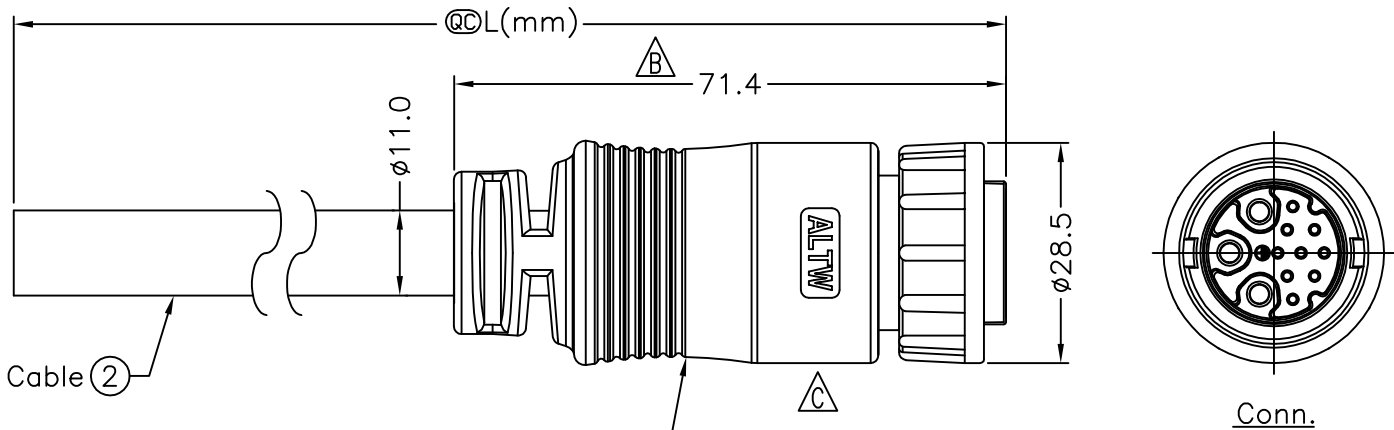


REV.	ECN NO.	DATE	SIGN	DESCRIPTION
B	LEN1140023	2011/03/22	Kevin Wang	Modify The Outermold
C	LEN1610463~467	2016/01/21	Ruru	Change Logo

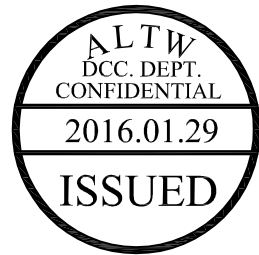


Conn. Pin Assignments Front View



DCD-12AFDM-LL7000 ①  
Color: Black

DCD-12AFDM-LL7AXX  
XX:01~99Meter  
01:01Meter  
02:02Meters  
:  
:  
99:99Meters  
Cable Length(L):01~99Meters



- Note:
- \* @C Important Dimension.
  - \* Waterproof Rate: IP67
  - \* Connector: Nylon+GF, Black
  - \* Pin: Copper Alloy, Gold Plated
  - \* Cable: UL2464 (24AWG\*4P+D+AL/MY)+16AWG\*3C+F+P, PVC Jacket, UV Resistant, OD=11.0mm, Black
  - \* Cable Length Tolerance: 01M±40mm  
02M~05M:±60mm  
06M~10M:±100mm  
11M~30M:±200mm  
31M~99M:±500mm

12	Drain	地線	(24AWG)	Twist 對線
11	Brown	棕	(24AWG)	
10	Black	黑	(24AWG)	
9	Gray	灰	(24AWG)	Twist 對線
8	Blue	藍	(24AWG)	
7	Green	綠	(24AWG)	Twist 對線
6	Yellow	黃	(24AWG)	
5	White	白	(24AWG)	Twist 對線
4	Red	紅	(24AWG)	
3	Blue	藍	(16AWG)	
2	Brown	棕	(16AWG)	
1	Green/Yellow	綠/黃	(16AWG)	
Conn.	Wire Color			
	Pin Out			

UNIT:mm	
TOLERANCE	±0.5 mm

TITLE		Cable Connector 180° FConn 3FPin(20A)+9MPin(5A)	
SCALE	Free	SHEET	1 OF 1
REV.	C	SIZE	A4
		QC : Inspection Item	

**Amphenol LTW**  
安費諾亮泰企業股份有限公司

ITEM NO	DRAWN BY	DATE
	Ruru	2016/01/21
DWG NO	CHECKED BY	DATE
DCD-12AFDM-LL7AXX	Rita	2016/01/21
CUSTOMER	APPROVED BY	DATE
ALTW	Lisa	2016/01/21

THIS DOCUMENT IS SUBJECT TO CHANGE WITHOUT NOTICE. IT IS CONFIDENTIAL AND A PROPERTY OF Amphenol LTW. DISCLOSURE TO THIRD PARTY HAS TO BE AUTHORIZED BY Amphenol LTW.

A B C D E F