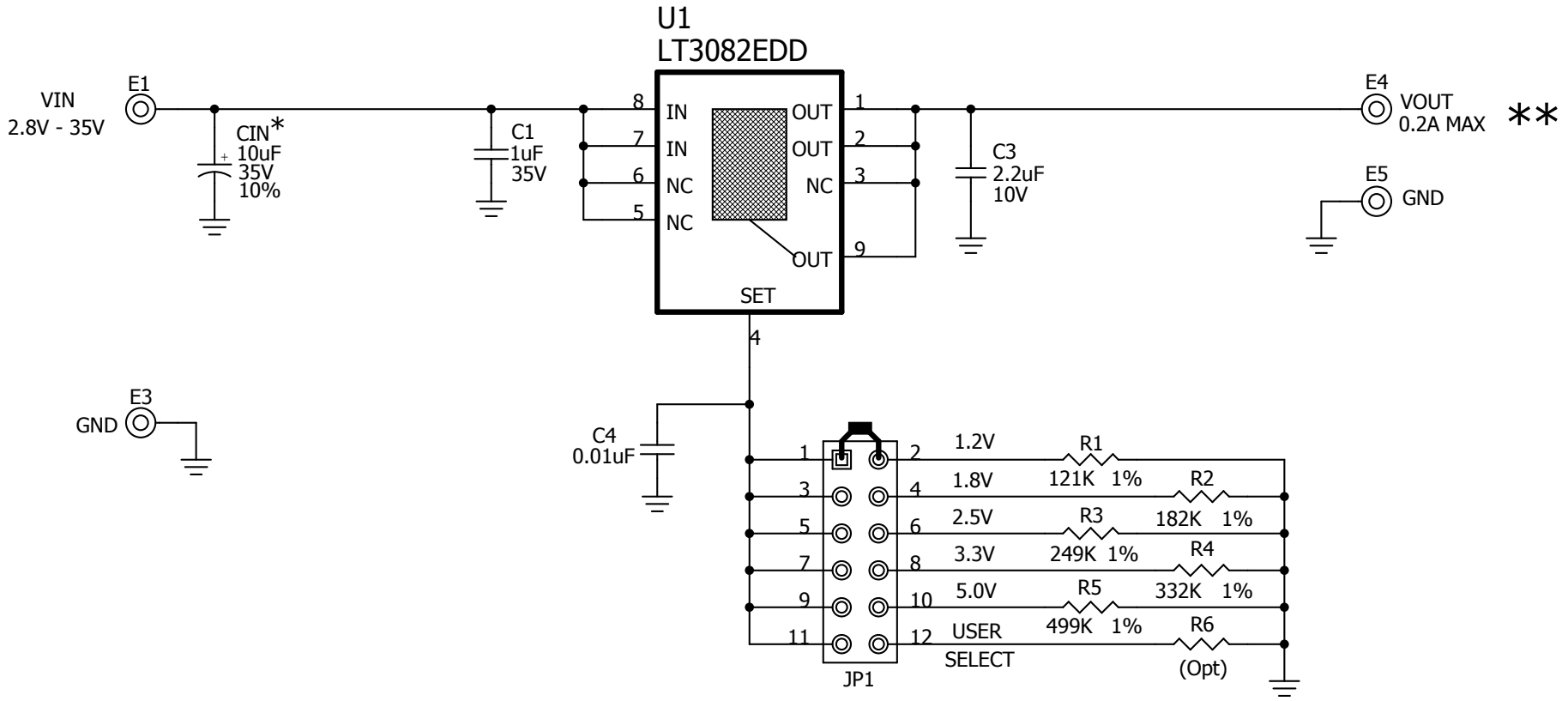


REVISION #				REVISION HISTORY		
SD	PC	FD	AD	DESCRIPTION	DATE	APPROVED
0	0	0	0	1st Release		



\* CIN IS OPTIONAL, FOR VIN DAMPING PURPOSE ONLY.

\*\* MINIMUM LOAD CURRENT ≥ 0.5mA REQUIRED.

This circuit is proprietary to Linear Technology and supplied for use with Linear Technology parts.  
**Customer Notice** Linear Technology has made a best effort to design a circuit that meets customer-supplied specifications; however, it remains the customers responsibility to verify proper and reliable operation in the actual application. Component substitution and printed circuit board layout may significantly affect circuit performance or reliability. Contact Linear Applications Engineering for assistance.

APPROVALS	
<b>DRAWN:</b>	<i>Rudy Bautista</i>
<b>ENGINEER:</b>	Tiger Zhou
<b>APPROVED:</b>	
<b>CHECKED:</b>	

**LINEAR TECHNOLOGY CORPORATION**  
1630 McCARTHY BLVD  
MILPITAS, CA. 95035  
(408)432-1900  
(408)434-0507 (FAX)

www.linear.com  
LTC Confidential -  
For Customer Use Only

Title: LT3082EDD Adjustable Single Resistor LDO Regulator

SD	Document Number	<b>DEMO CIRCUIT 1447A</b>	Rev <b>0</b>
----	-----------------	---------------------------	-----------------