

# CGA9N3X7S2A106K230KE

TDK Item Description : CGA9N3X7S2A106KT\*\*\*S



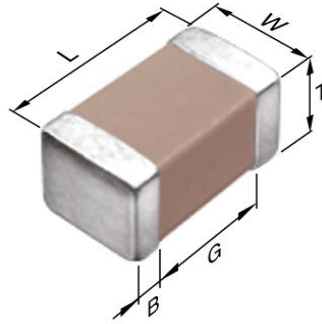
Equivalent C5750X7S2A106K for Automotive

## Application & Main Feature

Automotive Grade ( Soft Termination )

## Series

CGA9(5750) [EIA CC2220]



## Dimensions

L	5.70mm +0.5,-0.4mm
W	5.00mm +/-0.4mm
T	2.30mm +0.3,-0.2mm
B	0.20mm Min.
G	

## Temperature Characteristic

X7S (-55 to 125 degC +/-22%)

## Rated Voltage

2A (100Vdc)

## Capacitance

10uF

## Capacitance Tolerance

K (+/-10%)

## Dissipation Factor

5% Max.

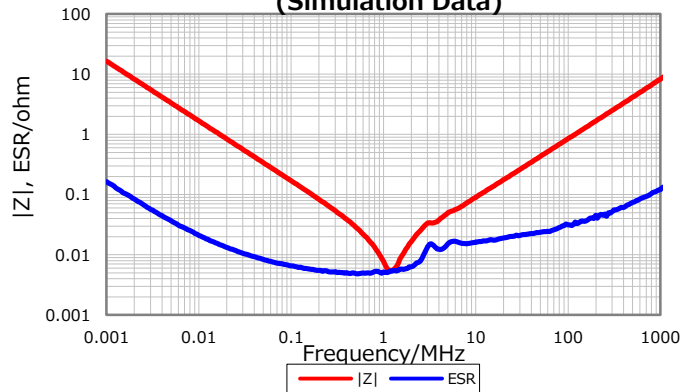
## Insulation Resistance

50Mohm Min.

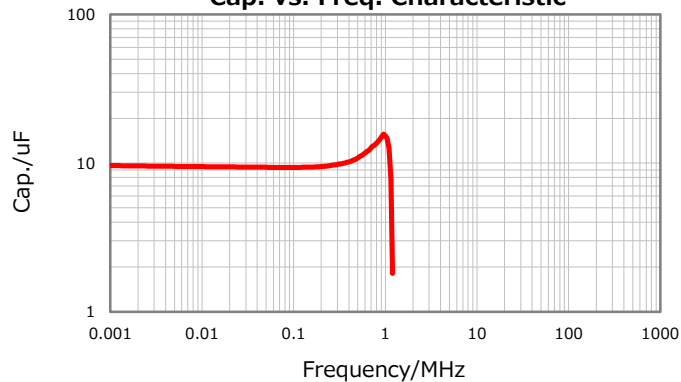
## AEC-Q200

Yes

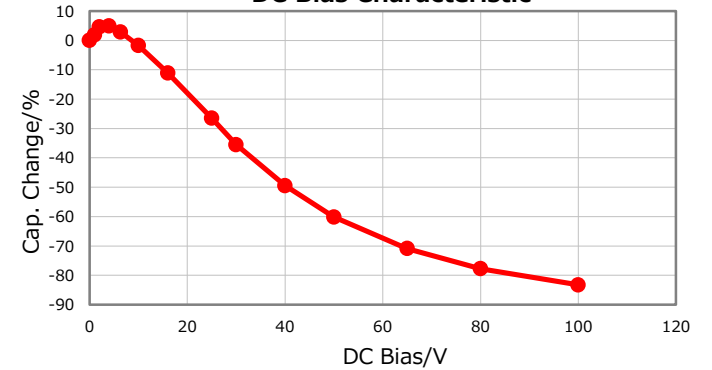
**|Z|, ESR vs. Freq. Characteristics (Simulation Data)**



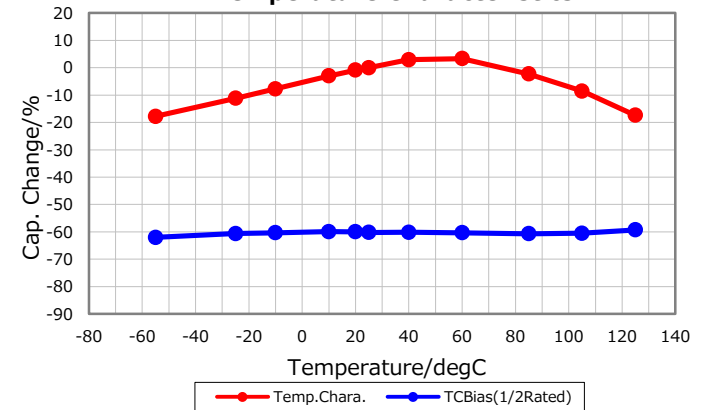
**Cap. vs. Freq. Characteristic**



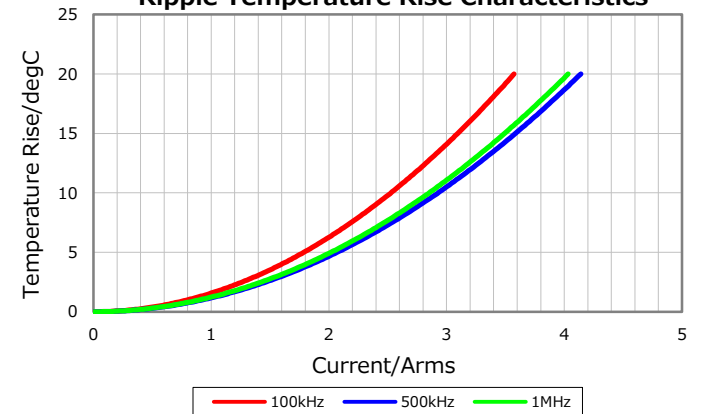
**DC Bias Characteristic**



**Temperature Characteristics**



**Ripple Temperature Rise Characteristics**



Characterization Sheet ( Multilayer Ceramic Chip Capacitors )



All specifications are subject to change without notice.

March 17, 2017