

Type BLC-06B Fuse Block MID Limiter Fuses



www.optifuse.com (619) 593-5050

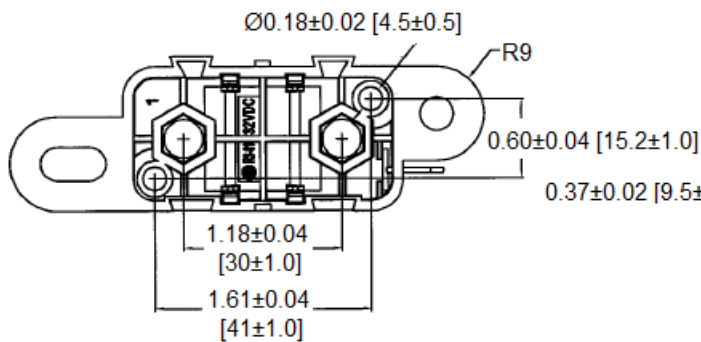
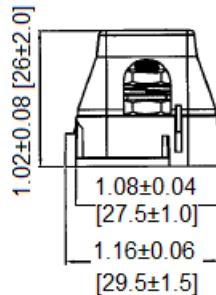
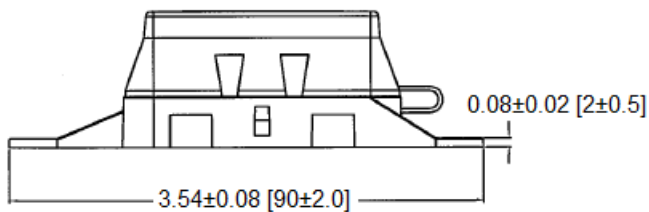
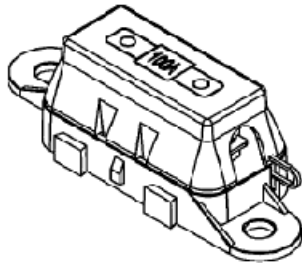
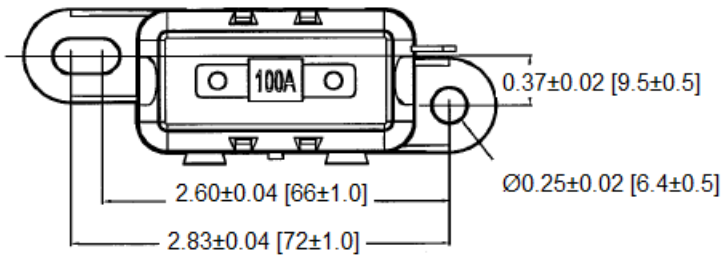
Specifications:

- Voltage Rating:** 32VDC
- Current Rating:** 30A~100A (max.)
- Wire Sizes:** #2-8AWG
- Fuse Type:** For Use with AMI fuse
- Torque Rating:** 20 in-lb (2.25Nm) max
- Mounting Torque Rating:** 44 in-lb (5Nm) max
M6 screws with washers(recommended)
- Temperature Rating:** -40 °C to 125 °C
- Terminals:** M5 Threaded Studs and Hex Nuts for fuse mounting

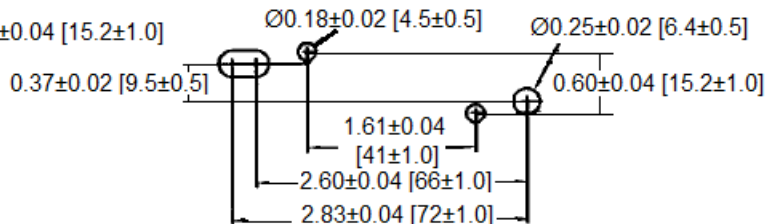
Material:

- Cover:** Nylon-66 (Black)
- Housing:** PBT.(Black)
- Screw:** Ni-Plated Steel Studs

Mechanical Dimensions: Inches [mm]



MOUNTING HOLE DIMENSIONS



Warning:



- Operation beyond the specified maximum ratings or improper use may result in damage and possible electrical arcing and/or flame.
- Avoid contact of device with chemical solvent. Prolonged contact may damage the device performance.