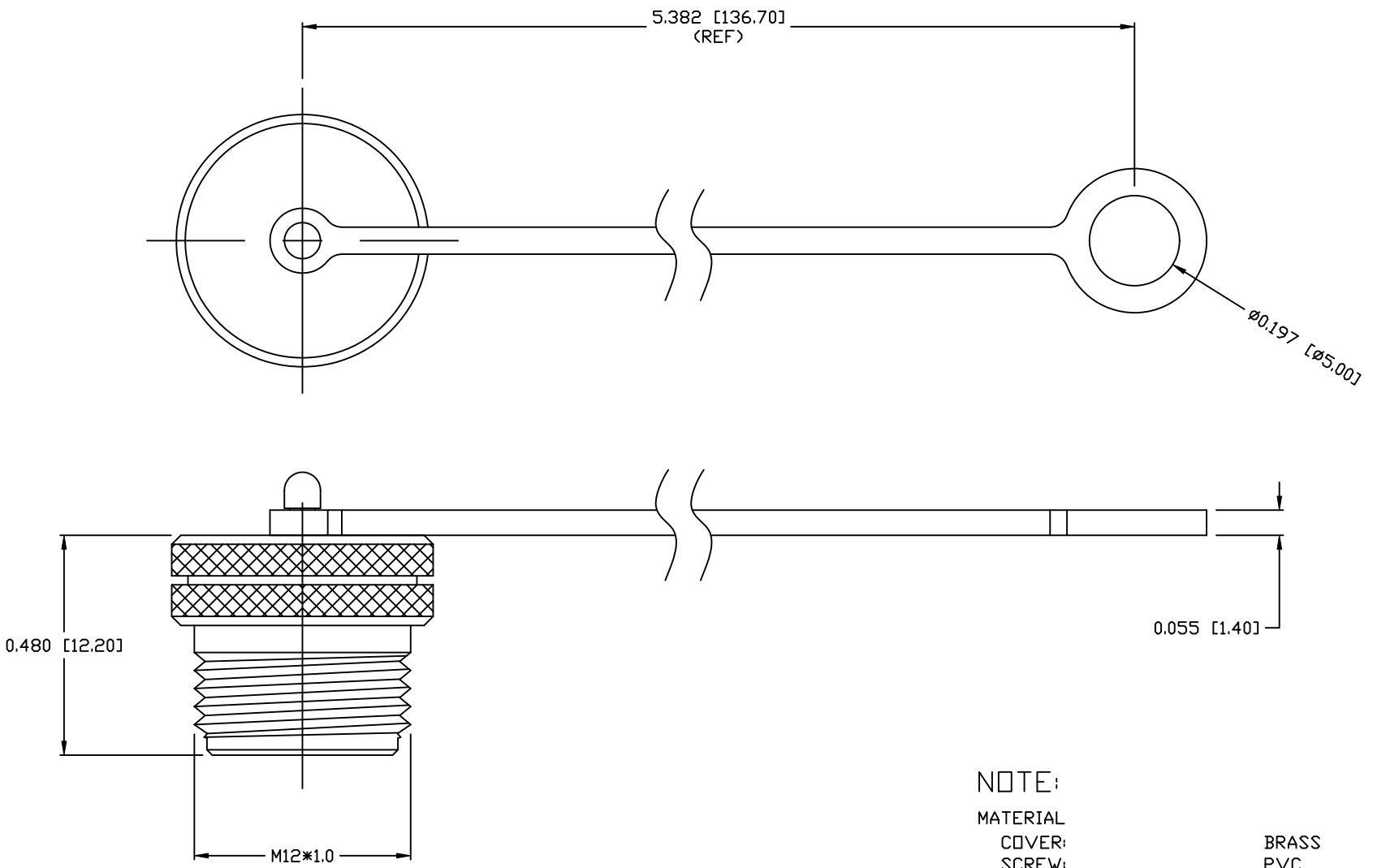


DESCRIPTION: M12 FEMALE DUST COVER WITH TETHER



NOTE:
 MATERIAL
 COVER: BRASS
 SCREW: PVC
 TETHER: PVC
 FINISH
 COVER: NICKEL PLATED
 NUT: NICKEL PLATED

** USED WITH M12 FEMALE IP67 CIRCULAR CONNECTORS **

RoHS COMPLIANT

DO NOT SCALE FROM DRAWING



THESE DRAWINGS AND SPECIFICATIONS ARE THE PROPERTY OF NorComp AND SHALL NOT BE REPRODUCED, COPIED OR USED AS THE BASIS FOR THE MANUFACTURE OR SALE OF APPARATUS WITHOUT WRITTEN PERMISSION.

DRAWN: M. SIGMON DATE: 09-16-15
 CHECKED: DATE:

NorComp

SCALE: N.T.S.	SHEET 1 OF 1	REV 0
DWG NO. 8582T3M-DC		