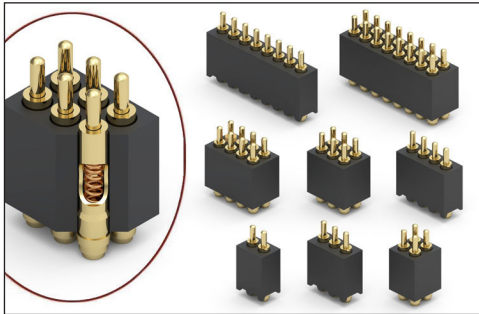


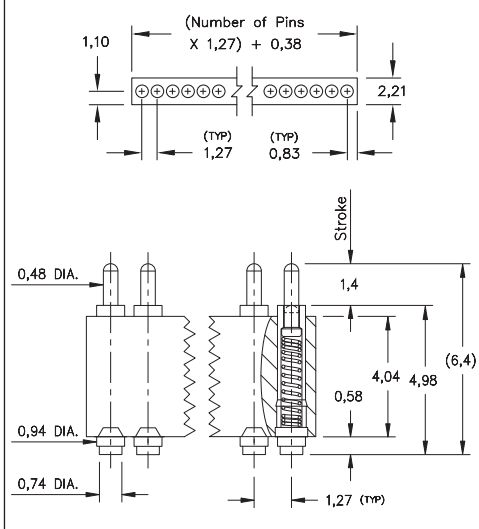
SPRING-LOADED CONNECTORS

SERIES 854 & 855 • 1,27 GRID SURFACE MOUNT, HIGH DENSITY • SINGLE AND DOUBLE ROW STRIPS

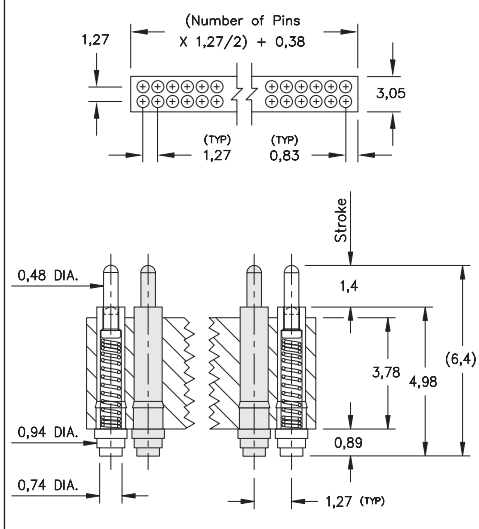


- Modular contacts for use on 1,27 grid, supplied in single and double row contact strips
- Precision-machined piston / base and gold-plated components assure up to 1,000,000 cycle life durability
- Pistons have a 0,7 mid. stroke and a 1,4 max. stroke
- Low resistance, high current contacts are rated at 2 amps continuous, 3 amps peak
- High temperature thermoplastic insulators are suitable for surface mount processes
- 854 & 855 series contact strips are designed for manual placement onto 1,02 Ø solder pads
- 855 series is also available on tape & reel packaging, see page 19.1

SINGLE ROW Series 854



DOUBLE ROW Series 855



ORDERING INFORMATION

Single Row Series 854

854-22-0XX-30-001101

Specify number of contacts 02-20

Double Row Series 855

855-22-0XX-30-001101

Specify number of contacts 04-40

For 855 Tape & Reel packaging, see page 19.1

Technical Specifications

Materials:

Contact piston & base: Machined copper alloy plated 0,51µm gold over 2,54µm nickel
 Spring: Beryllium copper-plated 0,25µm gold
 Insulator: High temperature thermoplastic, rated UL94 V-0

Mechanical:

Spring force @ initial height: 25 grams
 Spring force @ mid stroke (0,7): 60 grams
 Durability: Up to 100,000 cycles

Electrical:

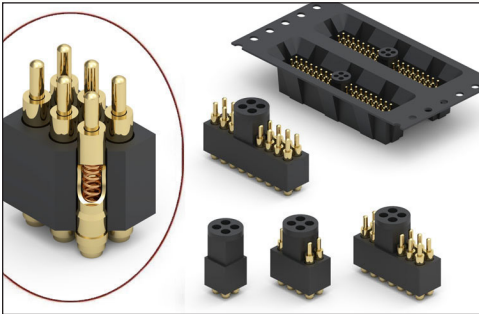
Voltage rating: 100Vrms/150Vdc
 Current rating: 2A (continuous), 3A (peak) per contact
 Contact resistance: 20mΩ max.
 Insulation resistance: 10,000MΩ min.
 Dielectric strength: 700Vrms min.
 Capacitance: 1pF max.

RoHS-2
2011/65/EU



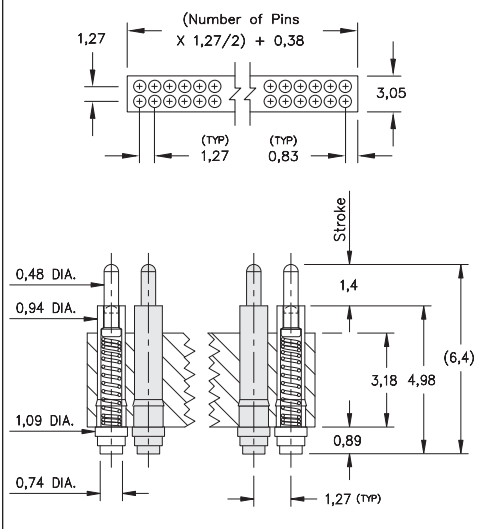
SPRING-LOADED CONNECTORS

SERIES 855 • 1,27 GRID SURFACE MOUNT, HIGH DENSITY • DOUBLE ROW STRIPS ON TAPE & REEL

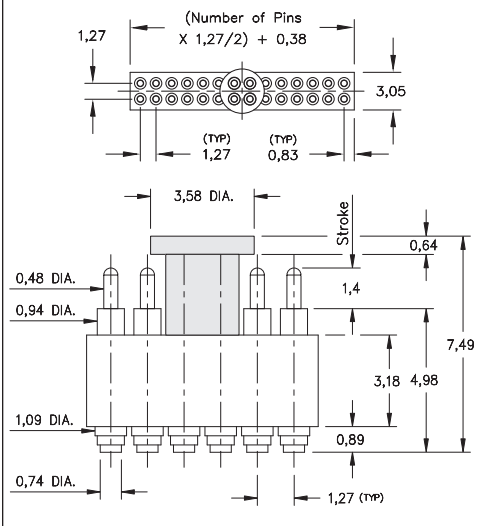


- Modular contacts for use on 1,27 grid, supplied in single and double row contact strips
- Precision-machined piston / base and gold-plated components assure up to 1,000,000 cycle life durability
- Pistons have a 0,7 mid. stroke and a 1,4 max. stroke
- Low resistance, high current contacts are rated at 2 amps continuous, 3 amps peak
- High temperature thermoplastic insulators are suitable for surface mount processes
- 855 series is available on carrier tape for automated pick and place assembly. Tape and Reel packaging per EIA-481. For details contact Mill-Max Technical support

DOUBLE ROW Series 855



Series 855 w/ removable pick n place cap



ORDERING INFORMATION

Double Row Series 855

855-22-0XX-30-002191

Specify number or pins
04-40

Tape & reel packaged = 191
660 parts per 330mm reel

Positions: 6, 10, 14, 18, 22, 26, 30, 34, 38 the Pick n Place Vacuum Cap will be offset from center by 0,64mm

Positions: 4, 8, 12, 16, 20, 24, 28, 32, 36, 40 the Pick n Place Vacuum Cap will be centered

Technical Specifications

Materials:

Contact piston & base: Machined copper alloy plated 0,51 µm gold over 2,54 µm nickel
Spring: Beryllium copper-plated 0,25 µm gold
Insulator: High temperature thermoplastic, rated UL94 V-0

Mechanical:

Spring force @ initial height: 25 grams
Spring force @ mid stroke (0,7): 60 grams
Durability: Up to 100,000 cycles

Electrical:

Voltage rating: 100Vrms/150Vdc
Current rating: 2A (continuous), 3A (peak) per contact
Contact resistance: 20mΩ max.
Insulation resistance: 10,000MΩ min.
Dielectric strength: 700Vrms min.
Capacitance: 1pF max.

RoHS-2
2011/65/EU

