

Table with 4 columns: PART NUMBER, REV, FEED TYPE, DESCRIPTION, PROGRAMMED MEMORY CHIP. Includes parts 2150001-1 to 7-2150001-7.

Table with 3 columns: CRIMP, SIZE, TYPE. Includes WIRE and INSUL dimensions.

Table with 4 columns: WIRE STRIP LENGTH, INSULATION DIAMETER RANGE, TERMINAL APPL SPEC, and a diagram of a wire terminal.

Table with 4 columns: 42547-1, 42547-2, 60007-2, -

Table with 4 columns: WIRE SIZE, CRIMP HEIGHT mm[INCH], FINE ADJUST REF SETTING. Lists 22AWG, 24AWG, 26AWG.



- 1 RECOMMENDED SPARE PARTS
2 GREASE BEARING SURFACES LIGHTLY
3. LUBRICATE DAILY PER THE APPLICATOR INSTRUCTION SHEET SUPPLIED WITH THE APPLICATOR.
4 APPLICATOR SPECIFIC DATA TO BE ENTERED INTO BLANK MEMORY CHIP AT ASSEMBLY.
5. ADJUSTMENT OF THE STRIPPER MAY BE REQUIRED WHEN MOVING THE APPLICATOR BETWEEN BENCH AND LEADMAKER APPLICATIONS.
6. FOR THE PACIFIC VERSION OF THIS APPLICATOR, SEE LOG 2150001-9
7 GREASE THREADS, GROOVE AND O-RING ON ITEMS 35 & 252.
8 MAGNET MUST BE ORIENTED CORRECTLY IN ORDER TO PROPERLY ACTUATE THE COUNTER.
9 CUT TO LENGTH AT ASSEMBLY.

Table with 3 columns: FEED TYPE TO CONVERT TO, RETROFIT KIT, ADDITIONAL PARTS REQ'D. Lists MECHANICAL, PNEUMATIC, SERVO conversions.

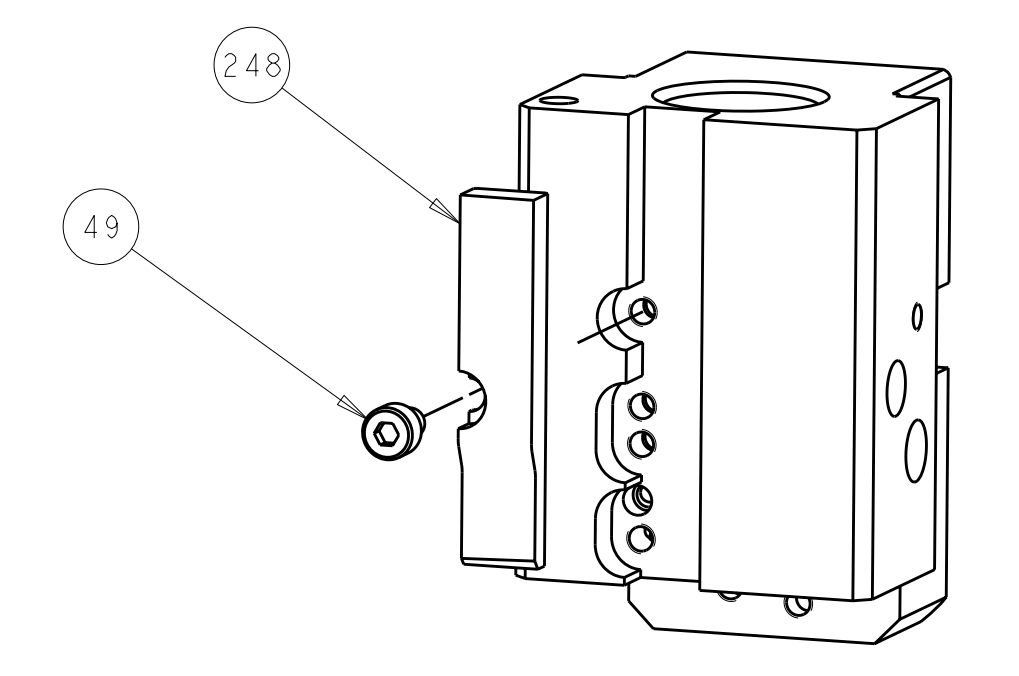
SUPERSEDED BY 2150236-1
SUPERSEDED BY 2150236-2
SUPERSEDED BY 2150236-5
SUPERSEDED BY 2150236-6
SUPERSEDED BY 2150236-7

Table with 4 columns: P, LTR, DESCRIPTION, DATE, DWN, APVD. Shows revision 1 (ORIGINAL) dated 04MAR2011 and revision 2 (-4 IC WAS A -3) dated 23MAR2011.

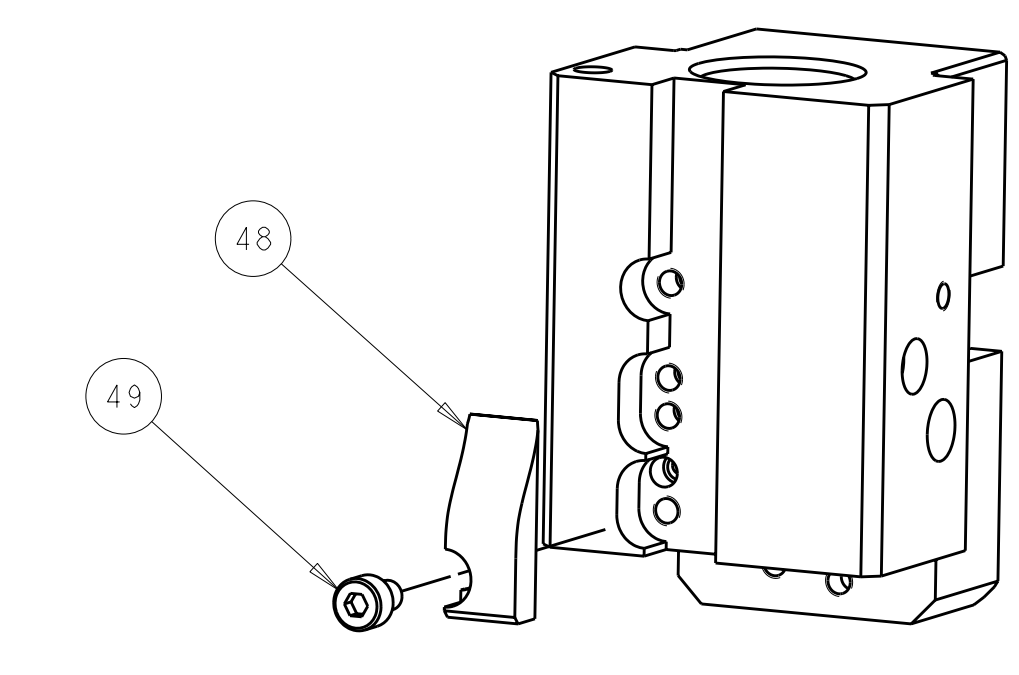
Main parts list table with 6 columns: PART NO, DESCRIPTION, ITEM NO. Lists parts from 8-21084-0 to 1-456403-3.

Technical drawing information block including dimensions, tolerances, dimensions in mm, material, finish, weight, and customer accessible production drawing information.

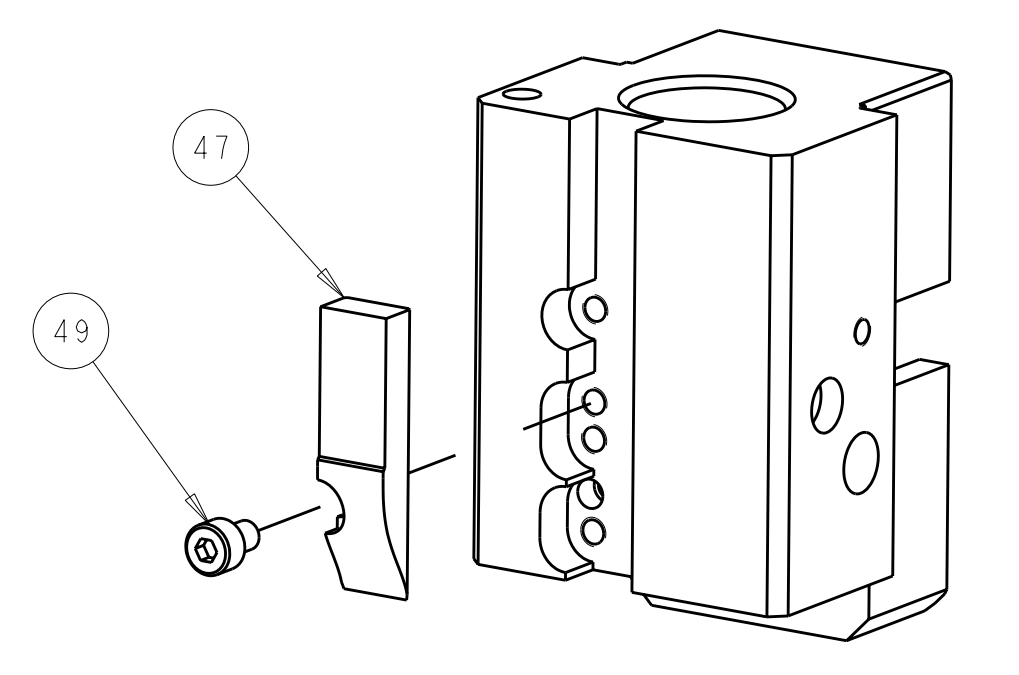
LOC		DIST		REVISIONS			
				REV	DATE	BY	APPD
-	-	-	-	-	-	-	-
-	-	-	-	1	SEE SHEET 1	-	-



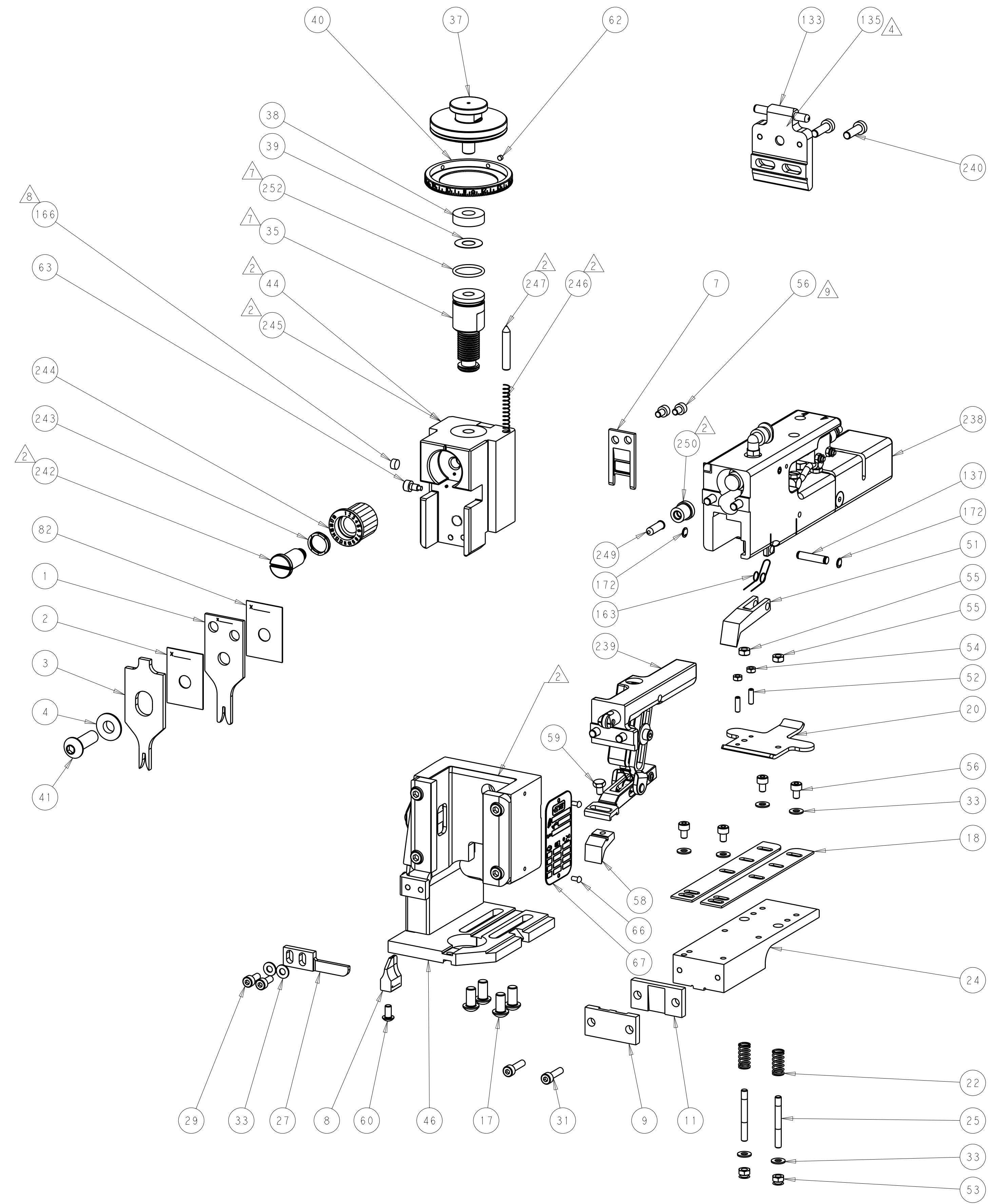
AIR FEED



MECH. PRE FEED



MECH. POST FEED



<small>THIS DRAWING IS UNPUBLISHED. RELEASED FOR PUBLICATION BY TYCO ELECTRONICS CORPORATION. IT IS SUBJECT TO CHANGE WITHOUT NOTICE AND WITHOUT OBLIGATION. SHOULD BE CONTACTED FOR THE LATEST REVISION.</small>		DWN: R. STAKEM 15MAR2011 CHK: G. BAILEY 15MAR2011 APVD: T. ELBIN 7MAR2011	NAME: TE Connectivity Harrisburg, PA 17105-3608
DIMENSIONS: mm 	TOLERANCES UNLESS OTHERWISE SPECIFIED: 9 PLC ±.5 1 PLC ±0.13 5 PLC ±0.013 4 PLC ±0.0001 ANGLES ±.	PRODUCT SPEC: APPLICATION SPEC:	SIZE: CAGE CODE: DRAWING NO: A1 00779 C-2150001
MATERIAL: -	FINISH: -	WEIGHT: -	RESTRICTED TO: -
CUSTOMER ACCESSIBLE PRODUCTION DRAWING		SCALE: 1:1	SHEET 2 OF 2 REV A1