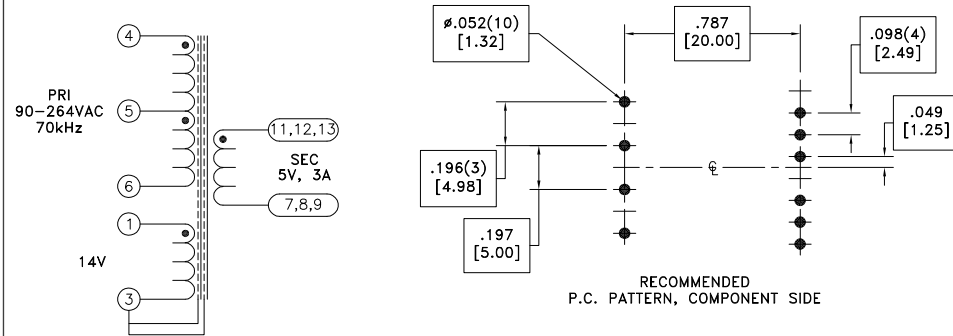
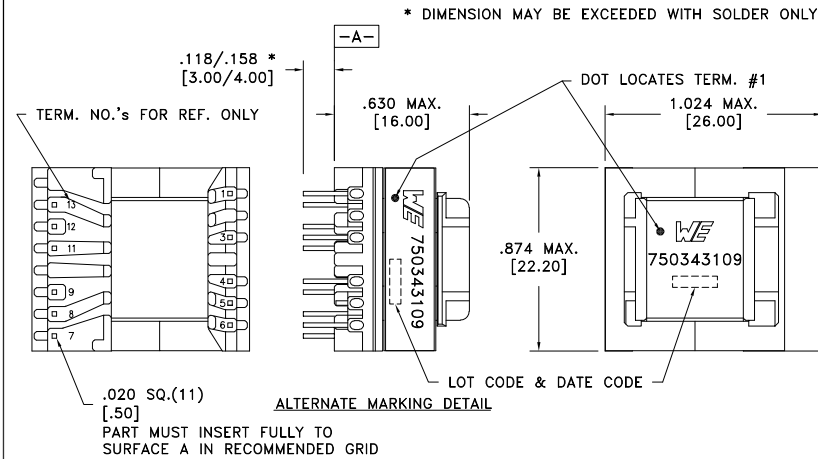


CUSTOMER TERMINAL	RoHS	LEAD(Pb)-FREE
Sn96%, Ag4%	Yes	Yes



Application of the transformer allows for the leadwires between terminals 7&8&9 and 11&12&13 to solder bridge.

ELECTRICAL SPECIFICATIONS @ 25°C unless otherwise noted:

PARAMETER	TEST CONDITIONS	VALUE
D.C. RESISTANCE	4-6 @20°C	0.710 ohms max.
D.C. RESISTANCE	11-7 tie(7+8+9, 11+12+13), @20°C	0.015 ohms max.
D.C. RESISTANCE	1-3 @20°C	0.047 ohms max.
INDUCTANCE	4-6 10kHz, 1.0VAC, Ls	490.0uH ±7%
LEAKAGE INDUCTANCE	4-6 tie(1+3+7+8+9+11+12+13), 100kHz, 100mVAC, Ls	10uH max.
DIELECTRIC	4-11 tie(6+1, 7+8+9, 11+12+13), 3750VAC, 1 second	3000VAC, 1 minute
DIELECTRIC	11-Core tie(7+8+9, 11+12+13), 3750VAC, 1 second	3000VAC, 1 minute
URNS RATIO	(4-6):(1-3)	6.44:1, ±2%
URNS RATIO	(4-6):(11-7), tie(7+8+9, 11+12+13)	14.5:1, ±2%

GENERAL SPECIFICATIONS:

OPERATING TEMPERATURE RANGE: -40°C to +125°C including temp rise.

Designed to comply with UL1310.

- Ⓟ Designed to comply with the following requirements as defined by IEC62368-1, EN62368-1, UL62368-1/CSA62368-1 and AS/NZS62368.1:
 - Reinforced insulation for a primary circuit at a working voltage of 265Vrms, 400Vpeak, Overvoltage Category II, Pollution Degree 2.

Wire insulation & RoHS status not affected by wire color.
Wire insulation color may vary depending on availability.

REV.	DATE	Packaging Specifications Method: Tray PKG-0736 www.we-online.com/midcom		Tolerances unless otherwise specified: Angles: ±1° Fractions: ±1/64 Decimals: ±.005 [.13] Footprint: ±.001 [.03]	DRAWING TITLE TRANSFORMER	PART NO. 750343109
6B	7/20	SEE REVISION SHEET FOR REVISION LEVEL	CONVENTION PLACEMENT	This drawing is dual dimensioned. Dimensions in brackets are in millimeters.	eiSos p/n: 750343109	compliant RoHS
6A	3/16					SPECIFICATION SHEET 1 OF 1