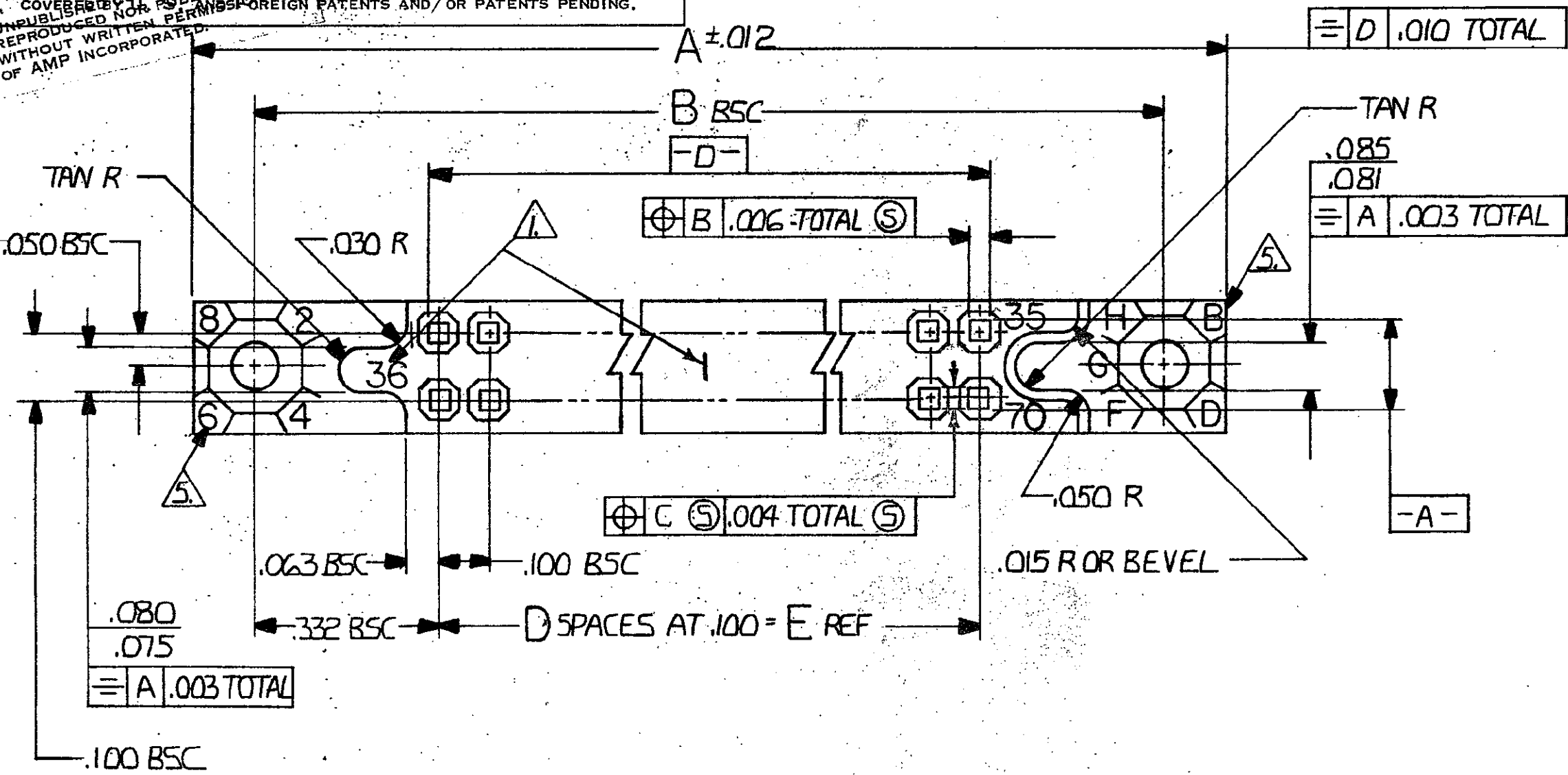


© COPYRIGHT 1976 BY AMP INCORPORATED, HARRISBURG, PA.
 ALL INTERNATIONAL RIGHTS RESERVED. AMP INCORPORATED PRODUCTS
 COVERED BY PATENTS AND PATENTS PENDING.
 UNPUBLISHED OR PUBLISHED FOREIGN PATENTS AND/OR PATENTS PENDING.
 REPRODUCED OR TRANSMITTED IN ANY FORM OR BY ANY MEANS
 WITHOUT WRITTEN PERMISSION OF AMP INCORPORATED.

REVISIONS					
P	F	ZONE	DESCRIPTION	DATE	APPROVED
		F	ECO-08-020831	PY 10-08	BW

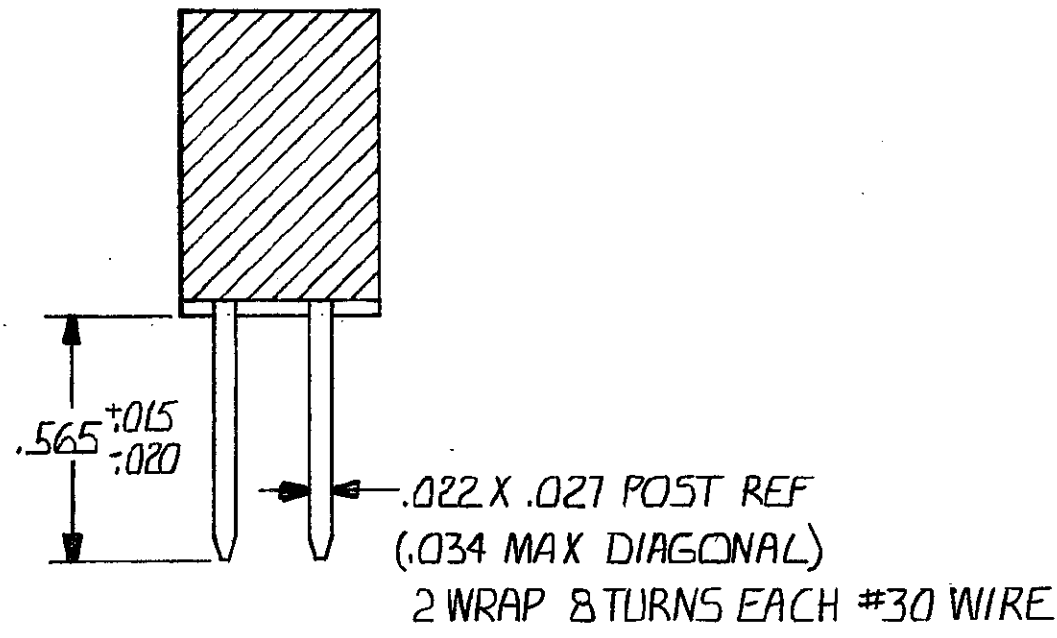
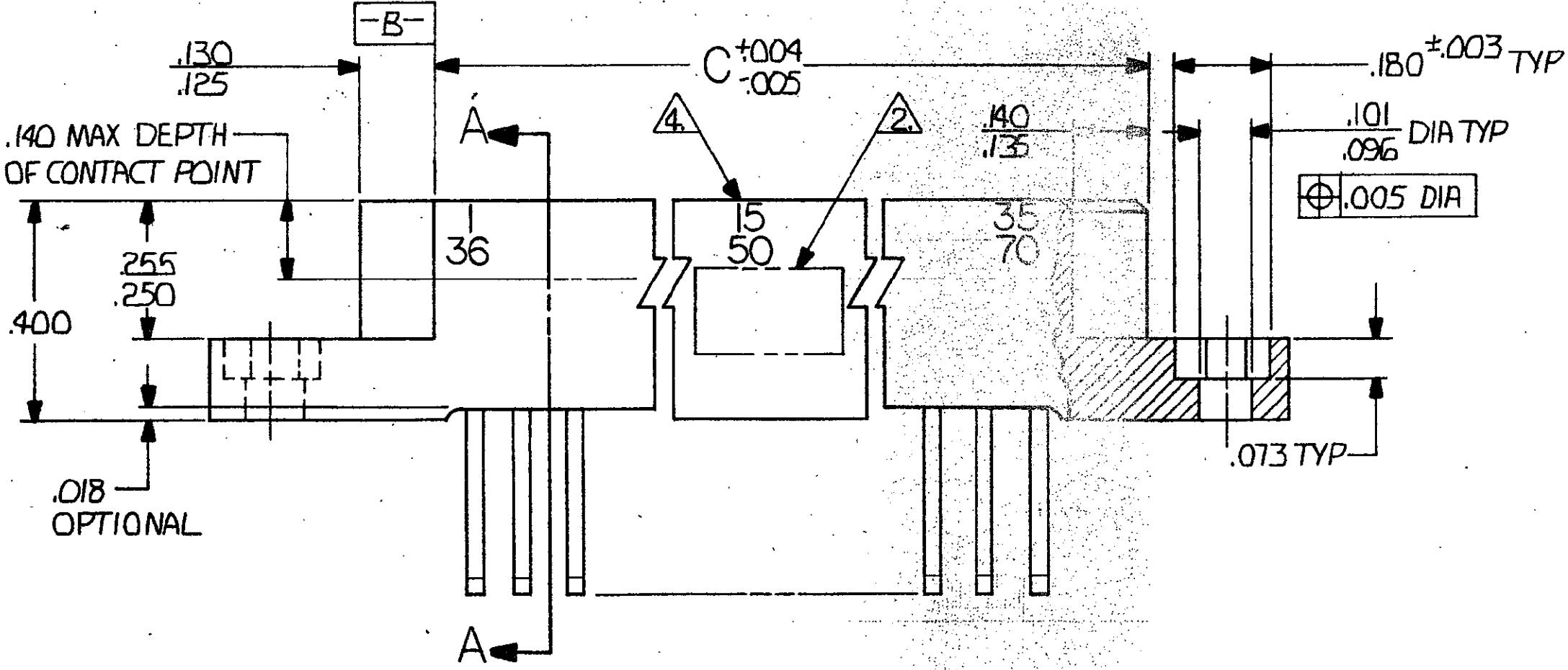
D
S
C

D
C



B

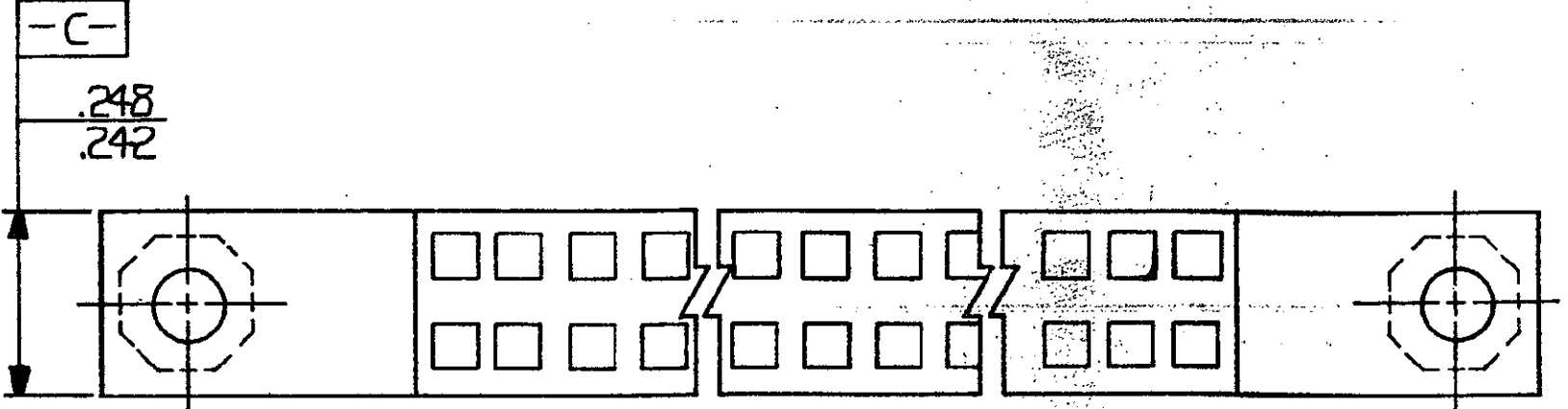
B



SECTION A-A
 WRAP-TYPE CONTACT (TYPE V)
 PC MOUNT

A

A



UNLESS OTHERWISE SPECIFIED DIMENSIONS ARE IN INCHES. TOLERANCES ON: DECIMALS ±.005 ANGLES		CONTRACT NO DR Robert Wolber 11-12-76 CHK R. Williams 11-23-76 APPD R. Williams 11-23-76 APPD D. Myers 11-29-76 DSGN APPD OTHER APPD		PART NO	
MATERIAL 7.8		FINISH 8.		AMP INCORPORATED Harrisburg, Pa.	
NAME BOX CONNECTOR RECEPTACLE ASSY .100 GRID EXTERNAL KEYING		SIZE CODE IDENT NO C 00779		DRAWING NO 530780	
SCALE 4-1		SHEET 1 OF 2		REV F	

DRAWING MADE IN THIRD ANGLE PROJECTION

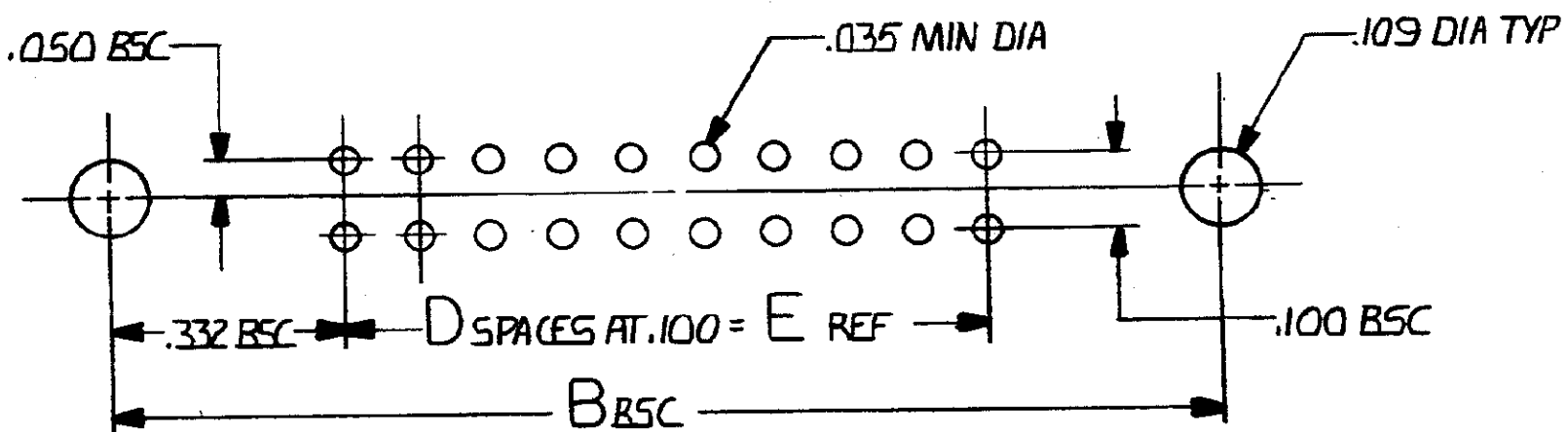
© COPYRIGHT 19 BY AMP INCORPORATED, HARRISBURG, PA.
ALL INTERNATIONAL RIGHTS RESERVED. AMP INCORPORATED PRODUCTS
COVERED BY U. S. AND FOREIGN PATENTS AND/OR PATENTS PENDING.

UNPUBLISHED COPY NOT TO BE
REPRODUCED NOR PUBLISHED
WITHOUT WRITTEN PERMISSION
OF AMP INCORPORATED

LOC DIST
DF FO

REVISIONS				DATE	APPROVED
P	F	ZONE	LTR	DESCRIPTION	
				SEE SHEET 1 OF 2	

- 1. NUMBERS AND LINES INDICATING EVERY FIVE CAVITIES MARKED ON MATING FACE.
- 2. AMP PART NUMBER DATE CODE, 00779 & MILITARY PART NUMBER MARKED IN THIS AREA. SIDE OPTIONAL
- 3. MUST MEET ALL APPLICABLE REQUIREMENTS OF MIL-C-55302.
- 4. NUMBERS INDICATING EVERY FIVE CAVITIES MARKED ON SIDE
- 5. KEY POSITION IDENTIFICATION MOLDED ON SURFACES SHOWN.
- 6. USE EXTERNAL KEY NUMBER 530341-1 MATES WITH PART NUMBER 530339.
- 7. HOUSING MATERIAL: DIALLYL PHTHALATE COLOR: BLUE PER MIL-M-14 TYPE 50G-F.
- 8. CONTACT MATERIAL: BERYLLIUM COPPER .000050 GOLD OVER NICKEL.



RECOMMENDED PRINTED CIRCUIT BOARD LAYOUT

M55302/27-221	71	140 ⁷⁰	6.900	69	7.165	7.565	7.855	140	M530780-3
M55302/27-220	68	134 ⁶⁷	6.600	66	6.865	7.265	7.555	134	M530780-2
M55302/27-219	66	130 ⁶⁵	6.400	64	6.665	7.065	7.355	130	M530780-1
M55302/27-218	61	120 ⁶⁰	5.900	59	6.165	6.565	6.855	120	M530780-0
M 55302/27-162	56	110 ⁵⁵	5.400	54	5.665	6.065	6.355	110	M530780-9
M 55302/27-161	51	100 ⁵⁰	4.900	49	5.165	5.565	5.855	100	M530780-8
M 55302/27-160	46	90 ⁴⁵	4.400	44	4.665	5.065	5.355	90	M530780-7
M 55302/27-159	41	80 ⁴⁰	3.900	39	4.165	4.565	4.855	80	M530780-6
M 55302/27-158	36	70 ³⁵	3.400	34	3.665	4.065	4.355	70	M530780-5
M 55302/27-157	31	60 ³⁰	2.900	29	3.165	3.565	3.855	60	M530780-4
M 55302/27-156	26	50 ²⁵	2.400	24	2.665	3.065	3.355	50	M530780-3
M 55302/27-155	21	40 ²⁰	1.900	19	2.165	2.565	2.855	40	M530780-2
M 55302/27-154	16	30 ¹⁵	1.400	14	1.665	2.065	2.355	30	M530780-1
M 55302									
PART NUMBER	CONTACT IDENTIFICATION NO		E	D	C	B	A	NO OF CONTACTS	PART NO

UNLESS OTHERWISE SPECIFIED DIMENSIONS ARE IN INCHES. TOLERANCES ON: DECIMALS ± .005 ANGLES ± .005	CONTRACT NO		AMP INCORPORATED Harrisburg, Pa.	
	DR Robert Wilben 11-15-76			
MATERIAL	CHK R. Williams 11-23-76		NAME BOX CONNECTOR RECEPTACLE	
	APPD R. Williams 11-23-76		ASSY .100GRID EXTERNAL	
FINISH	APPD D.G. Myers 11-29-76		KEYING	
	DSGN APPD		SIZE C	CODE 00779
OTHER APPD		IDENT NO 530780	DRAWING NO 530780	REV F
		SCALE 4-1	SHEET 2 OF 2	

CUSTOMER DRAWING

082080