



Door-coupling rotary operating mechanism for circuit breaker Size S3 Handle emergency switching-off !!! Phased-out product !!! Successor is SIRIUS 3RV2 Preferred successor type is >>3RV2946-2C<<

General technical data		
product brand name		SIRIUS
product designation		door-coupling rotary operating mechanism for heavy-duty operating conditions
size of the circuit-breaker		S3
design of the product		EMERGENCY OFF door-coupling rotary operating mechanism
suitability for use		circuit-breakers S3
ambient temperature		
• during storage	°C	-50 ... +80
• during operation	°C	-20 ... +70
operating frequency maximum	1/h	15
color of the actuating element		red / yellow
Installation/ mounting/ dimensions		
mounting position		any
fastening method		screw fixing
width	mm	75
height	mm	75
depth	mm	78
length	mm	300
diameter	mm	40
required spacing for grounded parts		
• forwards	mm	0
• backwards	mm	0
• upwards	mm	0
• at the side	mm	0
• downwards	mm	0
Certificates/ approvals		
certificate of suitability		CE / UL / CSA
General Product Approval		Declaration of Conformity



[Confirmation](#)



Marine / Shipping

other



Confirmation



Further information

Information- and Downloadcenter (Catalogs, Brochures,...)

<https://www.siemens.com/ic10>

Industry Mall (Online ordering system)

<https://mall.industry.siemens.com/mall/en/en/Catalog/product?mlfb=3RV1946-2C>

Cax online generator

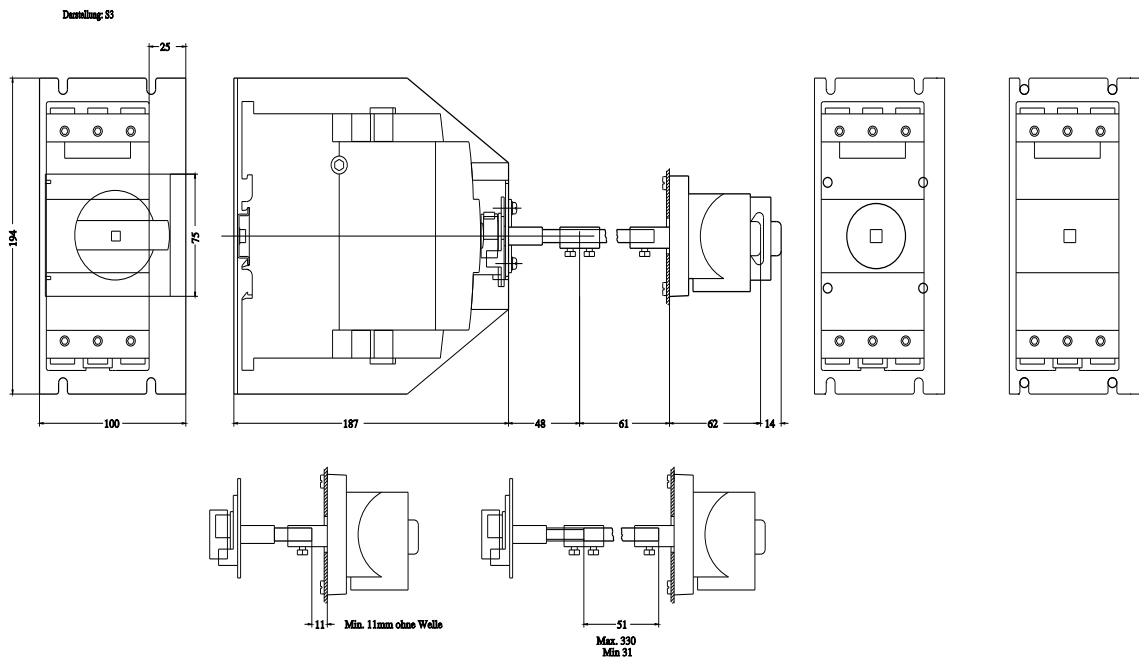
<http://support.automation.siemens.com/WW/CAXorder/default.aspx?lang=en&mlfb=3RV1946-2C>

Service&Support (Manuals, Certificates, Characteristics, FAQs,...)

<https://support.industry.siemens.com/cs/ww/en/ps/3RV1946-2C>

Image database (product images, 2D dimension drawings, 3D models, device circuit diagrams, EPLAN macros, ...)

http://www.automation.siemens.com/bilddb/cax_de.aspx?mlfb=3RV1946-2C&lang=en



last modified:

12/23/2020