

Telephone Pliers

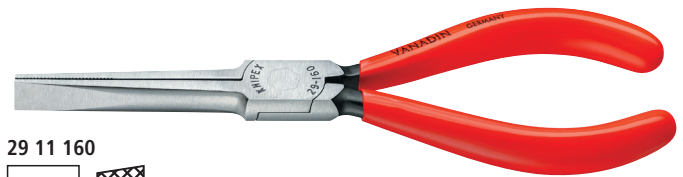
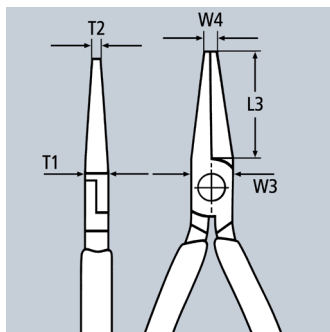
DIN ISO 5745

29

- > cross-hatched gripping surfaces, knurled
- > chrome vanadium electric steel; forged, oil-hardened

29 21 160

Extra slim fine tips; suitable for soldering work



29 11 160



29 21 160



Product Number	Packaging	↔ Inch mm	Pliers	Head	Handles	Dimensions					⚖ lbs	
						L3 Inch mm	W3 Inch mm	T1 Inch mm	W4 Inch mm	T2 Inch mm		
29 11 160		6 1/4 160		black atramentized	polished	plastic coated	2 11/64 55.0	35/64 14.0	5/16 8.0	3/32 2.5	21/64 8.5	0.23
29 21 160		6 1/4 160		black atramentized	polished	plastic coated	2 1/8 54.0	35/64 14.0	23/64 9.0	5/64 2.0	5/64 2.0	0.25