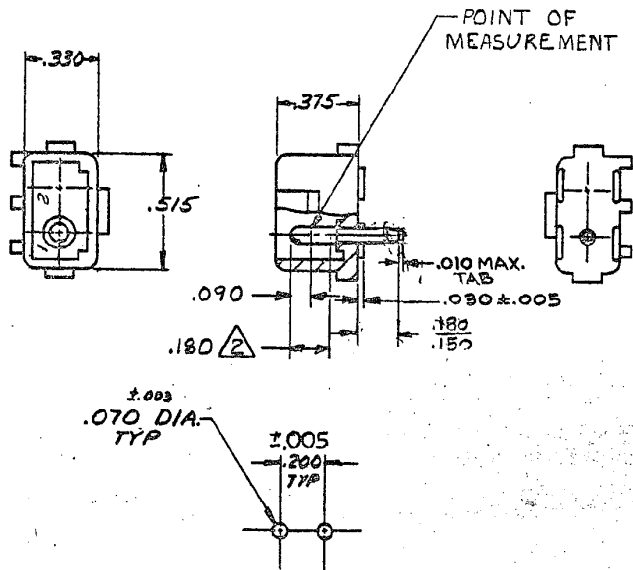


WAS P-73-G101



RECOMMENDED LAYOUT FOR
.062 THICK P.C. BOARD

1. PARTS COMPLY WITH TE SOLDERABILITY
SPEC. NO. 109-11-3
2. CONTACT IS PLATED OVERALL WITH .000050 NICKEL, THEN .000030 GOLD OVER CONTACT LENGTH INDICATED AND TIN PLATED ON SOLDER TAIL END.

SUPERSEDED BY
1586530-2

350.539-1 NYLON - NATURAL COPPER ALLOY - PRE-TIN
ASSEMBLY NO. HSG MATL & COLOR / PIN MATL & FINISH

1973 EIA INCORPORATED. ALL RIGHTS RESERVED. AND PRODUCTS COVERED BY PATENTS AND/OR PATENTS PENDING.		CUSTOMER COPY REFERENCE ONLY	
DR <i>g. Edmon</i>		MATERIAL AND FINISH SEE TABLE	
CHK <i>EM [signature]</i>		TE Connectivity 884 DIA. PIN	
DE <i>J. Kunkle</i>		TYPE POSITIVE LOCK	
REV <i>J. Kunkle</i>		LOC CM	
		NO 350539	
		REV N3	

2 CIRCUIT MATE-N-LOK
P.C. BOARD HEADER

REV	DESCRIPTION	DATE
N3	REVISED PER ECR-18-008156	16JUN2018
N2	REVISED PER ECR-13-008342	12NOV15
N1	REVISED PER ECO-11-005294	08APR11
LTR	REVISION RECORD	

DIMENSIONS IN INCHES. DO NOT SCALE PRINT.