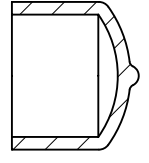
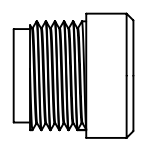
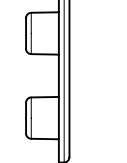
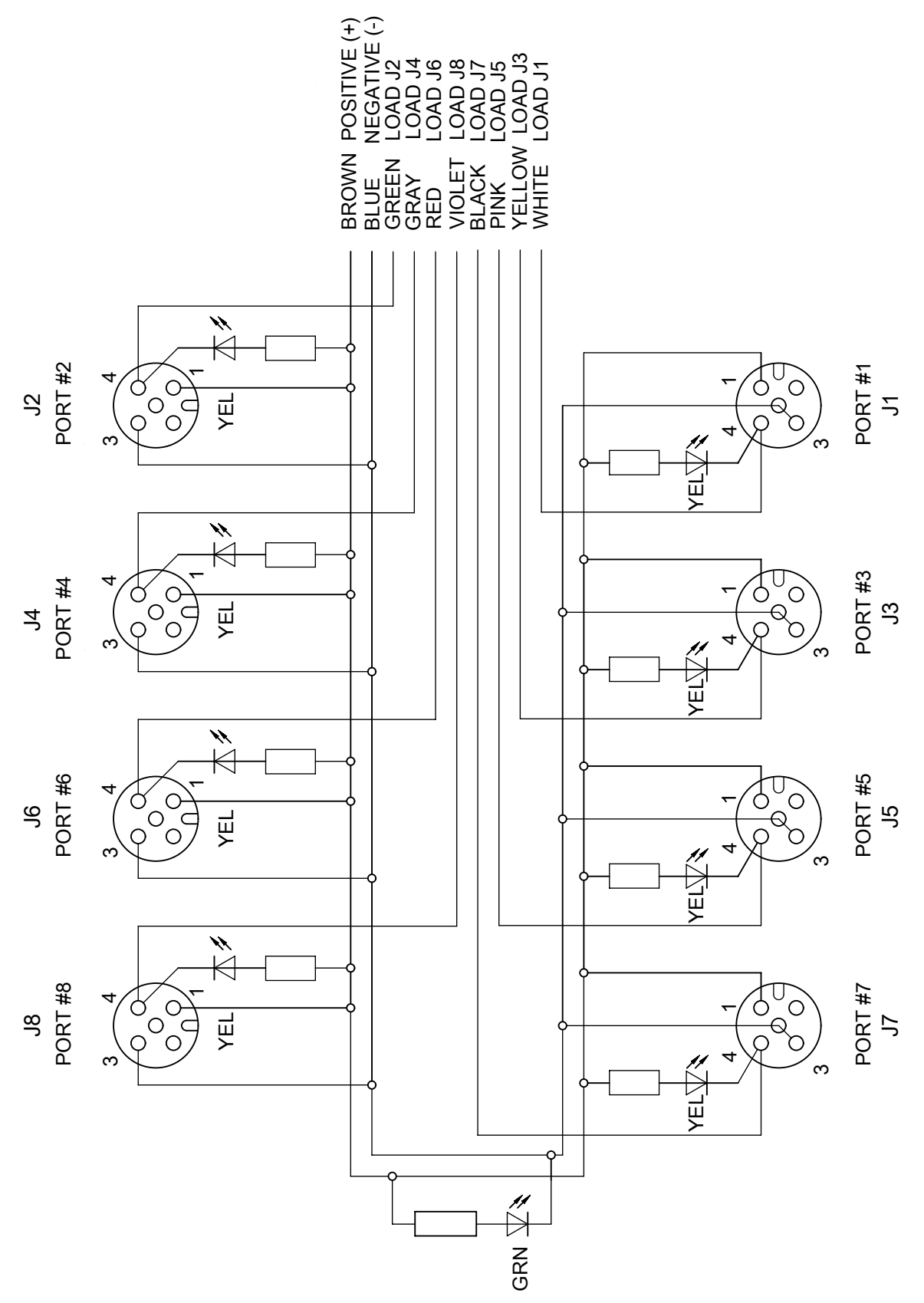
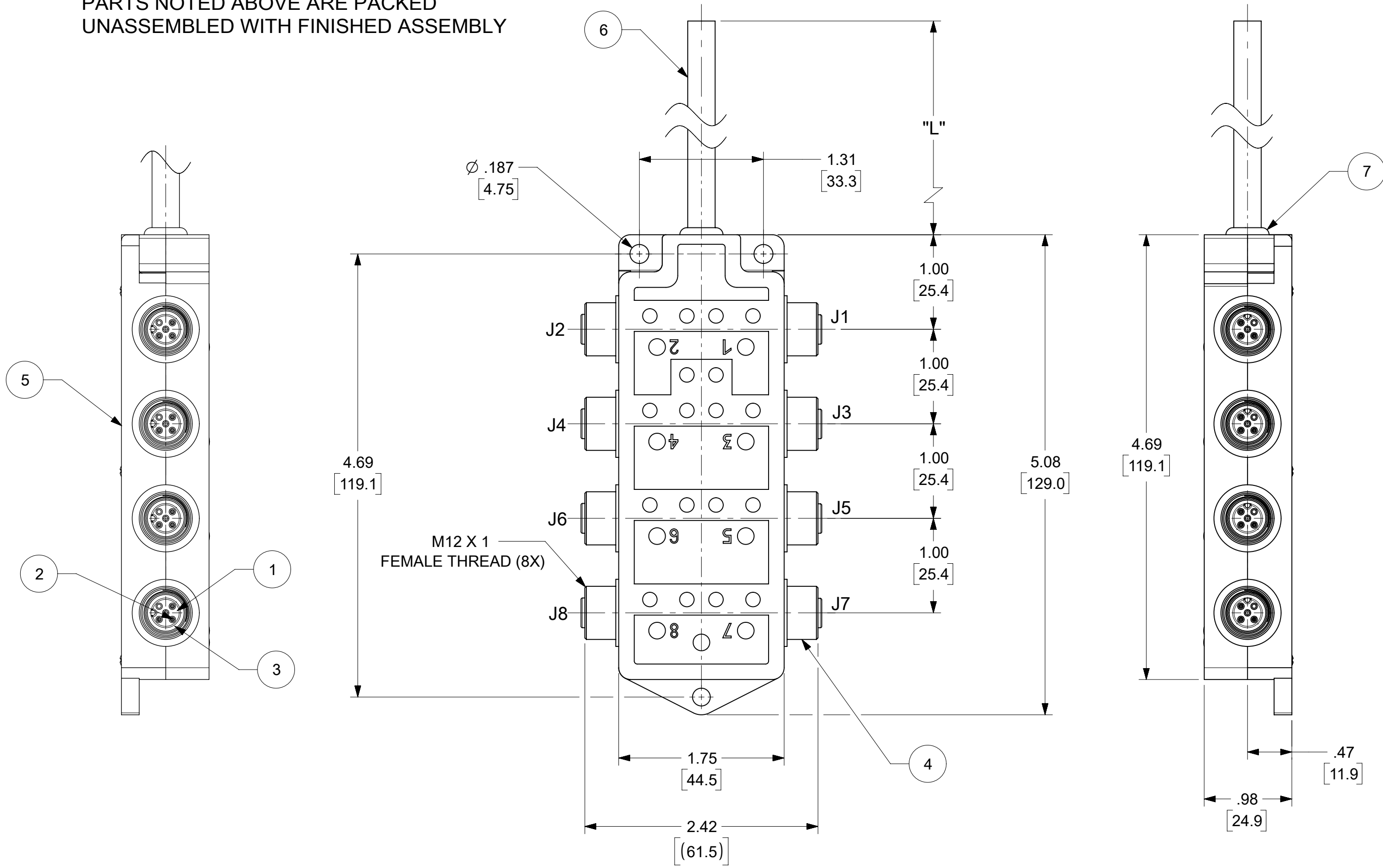


MATERIAL NO.	ENGINEERING NO.	"L"
1201150043	803P801	5M (16FT 5IN)

**CABLE LENGTH TOLERANCES**  
 <.3M [1FT]: +19mm-0 [ +.75in-0]  
 .3 - .9M [1 - 3FT]: +44.5mm-0 [+1.75in-0]  
 .9 - 1.8M [3 - 6FT]: +55.6mm-0 [+2.19in-0]  
 1.8 - 3.7M [6 - 12FT]: +88.9mm-0 [+3.50in-0]  
 3.7 - 7.3M [12 - 24FT]: +165.1mm-0 [+6.50in-0]  
 7.3-14.6M [24 - 48FT]: +317.5mm-0 [+12.50in-0]  
 14.6 - 30.5M [48-100FT]: +622.3mm-0 [+24.50in-0]  
 OVER 30M [100FT] +2% OF FINISHED LENGTH

DUST PROTECTOR	BLANKING PLUG	MPIS ID LABEL
		
1201160026 (70-1710)	1203090067 (BG12103)	1203080681 (BG12490)

PARTS NOTED ABOVE ARE PACKED UNASSEMBLED WITH FINISHED ASSEMBLY



WIRING SCHEMATIC

NOTE: KEYWAY ORIENTATION SHOWN IN WIRING SCHEMATIC DOES NOT REFLECT THE ACTUAL KEYWAY ON THE PRODUCT.

7	GROMMET	NITRILE	BLACK
6	CABLE	PVC JACKET	YELLOW
5	HOUSING, 8 PORT	NYLON	YELLOW
4	RECEPTACLE SHELL	ZINC DIE-CAST	BLACK E-COAT
3	O-RING	NITRILE	RED
2	CONTACT SOCKET	COPPER ALLOY	GOLD PLATED
1	INSERT	NYLON	BLACK
ITEM	DESCRIPTION	MATERIAL	FINISH

**NOTES:**  
 1. MATERIAL: AS NOTED  
 2. FINISH: AS NOTED  
 3. ELECTRICAL:  
 VOLTAGE: 10-30 VDC  
 CURRENT: 4A  
 4. TEMP RATING: -20°C TO +80°  
 5. PROTECTION: IP67 (WHEN MATED)  
 6. ALL DIMS ARE FOR REFERENCE UNLESS NOTED OTHERWISE.

FUNCTIONAL SYMBOLS FA = 0 FC = 0 FP = 0	THIS DRAWING CONTAINS INFORMATION THAT IS PROPRIETARY TO MOLEX ELECTRONIC TECHNOLOGIES, LLC AND SHOULD NOT BE USED WITHOUT WRITTEN PERMISSION		CURRENT REV DESC: DOCUMENT WAS IN AUTOCAD - RECREATED IT IN NX. INSERT MATERIAL WERE PVC. ADDED KEYWAY ORIENTATION NOTE AND LABEL VIEW.	
	DIMENSION UNITS: INCH[MM]		SCALE: NTS	
	GENERAL TOLERANCES (UNLESS SPECIFIED)			
	4 PLACES ±		MM INCH	
DIVISIONAL SYMBOLS	3 PLACES ±		EC NO: 747740	
	2 PLACES ±		DRWN: VASUTHKARP 2023/05/02	
	1 PLACE ±		CHK'D: MBRZOZOWSKI 2023/05/03	
	0 PLACES ±		APPR: BWOODMAN 2023/05/03	
ANGULAR TOL ± °		INITIAL REVISION:		
DRAFT WHERE APPLICABLE MUST REMAIN WITHIN DIMENSIONS		DRWN: IRV 1992/03/26		
THIRD ANGLE PROJECTION		DRAWING: C-SIZE		
SERIES: 120115		DOCUMENT NUMBER: 1201150043		
MATERIAL NUMBER: SEE TABLE		CUSTOMER: GENERAL MARKET		
SHEET NUMBER: 1 OF 1		DOC TYPE: PSD		



MICRO-CHANGE MPIS  
 8 PORT SIDE MOUNT, 3P FEM. RECPT., PNP

PRODUCT CUSTOMER DRAWING

DOCUMENT NUMBER: 1201150043

DOC TYPE: PSD

DOC PART: 000

REVISION: A2