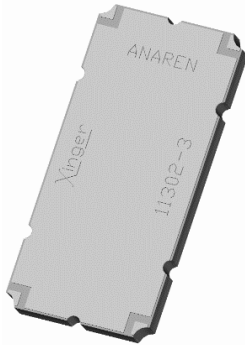




Hybrid Coupler
3 dB, 90°



Description:

The 11302-3 is a low profile 3dB hybrid coupler in an easy to use surface mount package for applications in the 225 - 400 MHz band. The 11302-3 is ideal for balanced amplifiers and signal distribution and is an ideal solution for the ever increasing demands for smaller printed circuit boards. Parts have been run through rigorous qualification and units are 100% tested. They are manufactured using materials with x and y thermal expansion coefficients compatible with common substrates.

Features:

- 225 - 400 MHz
- Low loss
- High Isolation
- 90° Quadrature
- Surface Mountable
- Tape And Reel
- Convenient Package
- 100% Tested

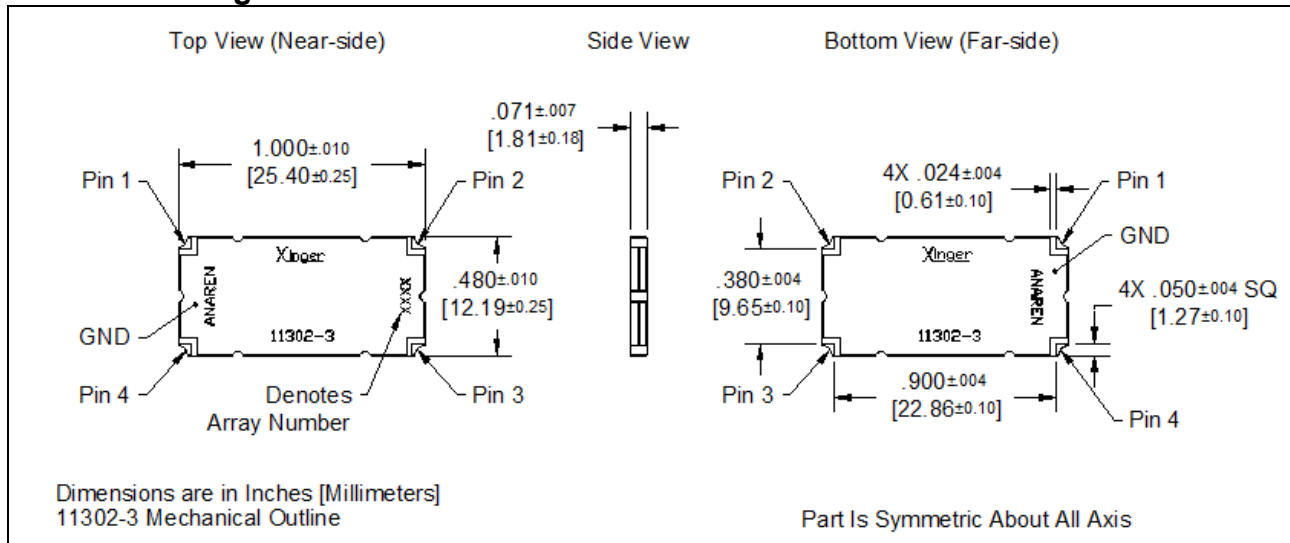
Detailed Electrical Specifications:

Frequency	Isolation	Insertion Loss	VSWR	
MHz	dB Min	dB Max	Max:1	
225-400	15	0.55	1.40	
Amplitude Balance	Phase Balance	Power	ΘJC	Operating Temp.
dB Max	Degrees	Ave. CW Watts	°C/ Watt	°C
± 0.50	± 4	100	5.9	-55 to +85

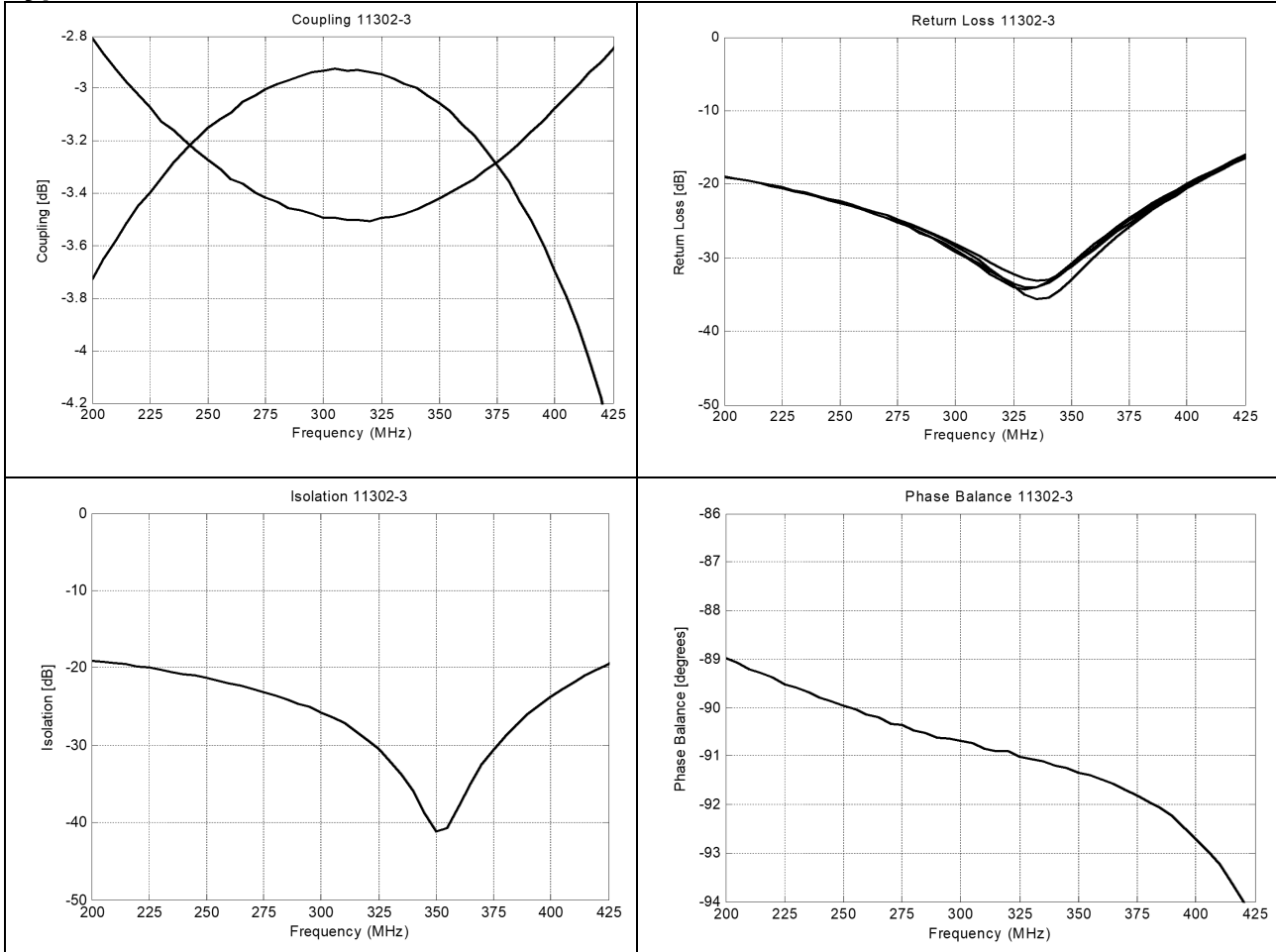
*Specifications subject to change without notice.

**Specification based on performance of unit properly installed on microstrip printed circuit boards with 50 Ω nominal impedance.

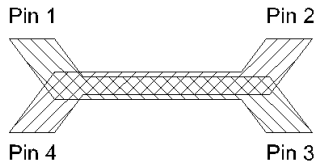
Outline Drawing:



Typical Performance: 200 MHz to 425 MHz.

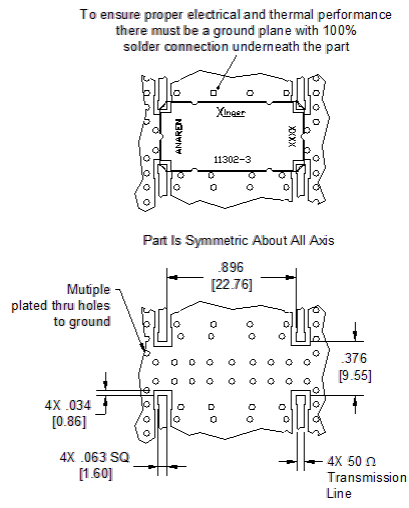


Pin Configuration



Hybrid Coupler Pin Configuration				
	Pin 1	Pin 2	Pin 3	Pin 4
Configuration #1	Input	Isolated	-3dB, -90°	-3dB, 0°
Configuration #2	Isolated	Input	-3dB, 0°	-3dB, -90°
Configuration #3	-3dB, -90°	-3dB, 0°	Input	Isolated
Configuration #4	-3dB, 0°	-3dB, -90°	Isolated	Input

Mounting Footprint



Packaging

Parts are available in both reel and tube. Packaging follows EIA 481-2. Parts are provided in tape and reel as shown below. Minimum order quantities are 500 per reel and 19 per tube

