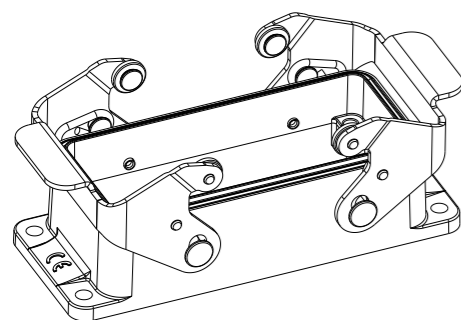
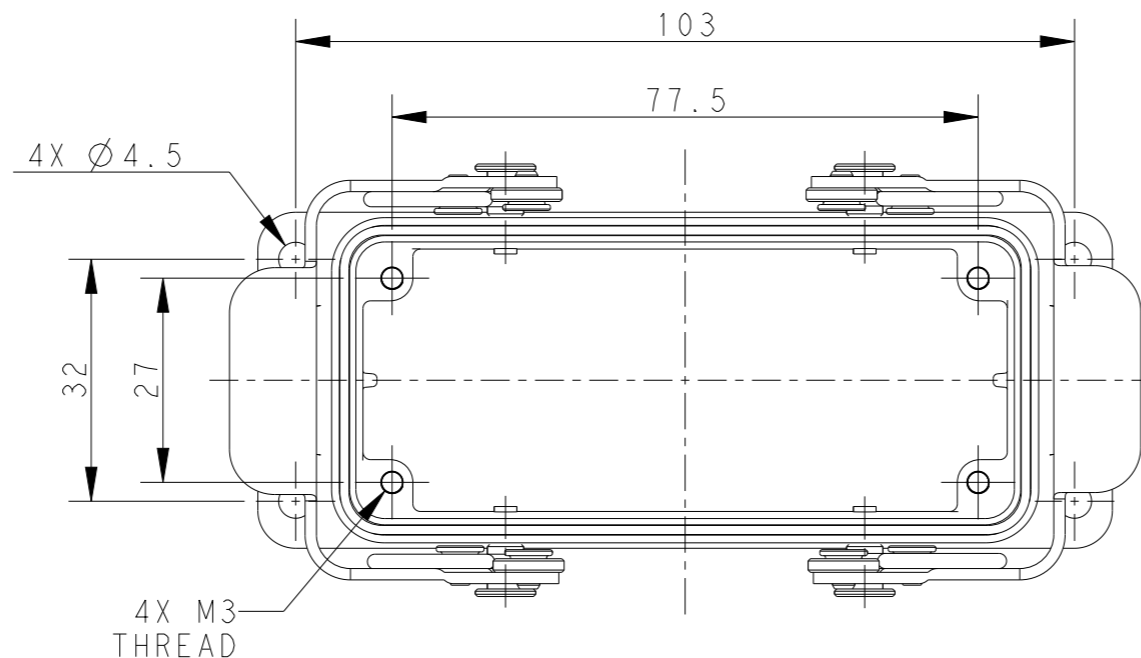


P	LTR	DESCRIPTION	DATE	DWN	APVD
A		INITIAL RELEASE	16AUG2016	DW	CW
B		ECR-20-014388	08DEC2020	WQR	CW
B1		ECR-21-105138	30JUN2021	WQR	CW



SCALE 1:2

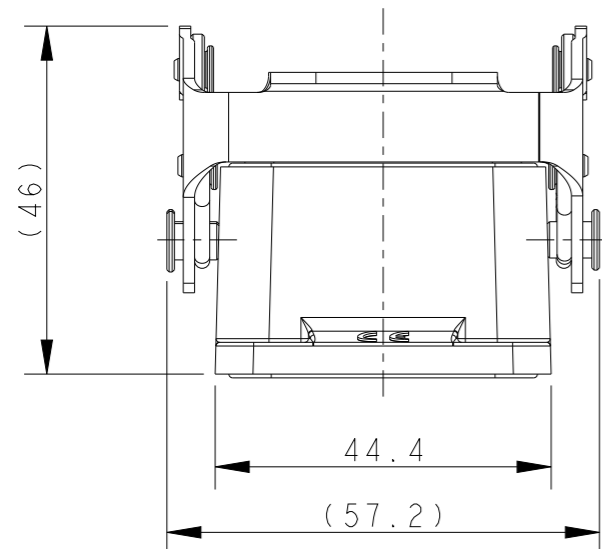


NOTES:

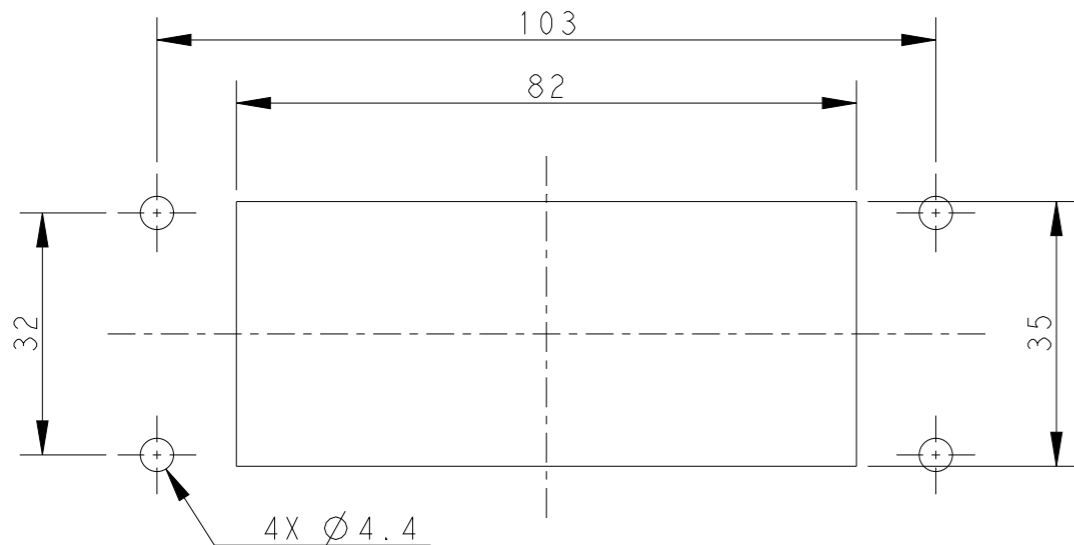
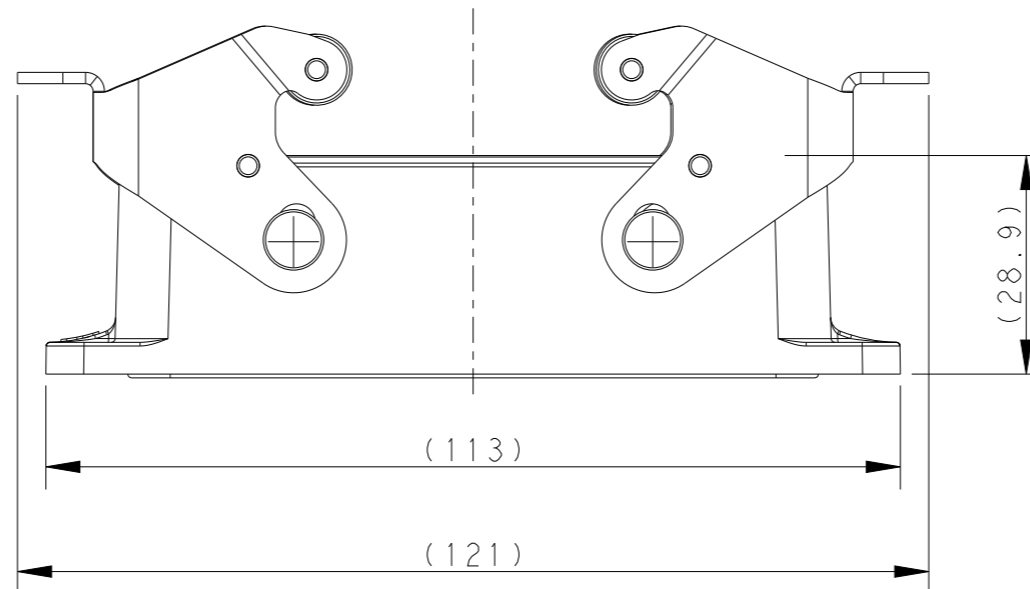
- 1. TECHNICAL CHARACTERISTICS:
 HOUSING MATERIAL: DIE CAST ALUMINIUM ALLOY
 SURFACE: CONDUCTIVE PAINTING
 SEAL MATERIAL: CONDUCTIVE NBR
 DEGREE OF PROTECTION: IP65 (MATED)

注释:

- 1. 技术参数:
 下壳材料: 铝合金
 表面处理: 喷导电漆
 密封材料: 导电NBR
 防护等级: IP65(配合)




PANEL CUT OUT



T1415163000-000	HI6B-AGS-EMC	HI6B EMC BULKHEAD HOUSING, STAINLESS STEEL LOCKING HI6B 带屏蔽下壳, 开孔安装, 不锈钢双扣
-----------------	--------------	---

PART NUMBER 料号	PART DESCRIPTION 描述
-------------------	------------------------

THIS DRAWING IS A CONTROLLED DOCUMENT.		DWN 16AUG2016 DAVID WANG	 TE Connectivity	NAME H16B-AGS-EMC		
DIMENSIONS: mm		CHK 16AUG2016 CHRIS WANG				
TOLERANCES UNLESS OTHERWISE SPECIFIED:		APVD 16AUG2016 XIANG XU				
0 PLC ±- 1 PLC ±- 2 PLC ±- 3 PLC ±- 4 PLC ±- ANGLES ±-		PRODUCT SPEC 108-137016				
MATERIAL	FINISH	APPLICATION SPEC 114-137016	SIZE	CAGE CODE	DRAWING NO	RESTRICTED TO
-	-	WEIGHT	A3	00779	©-T1415163000000	-
Customer Drawing			SCALE 1:1	SHEET 1 OF 1	REV B1	