

### Features

- Frequency range : 32.768 kHz
- SMD : Ceramic package
- External dimensions (mm)  
L : 1.6 x W : 1.0 x H : 0.5
- RoHS compliant & Pb free

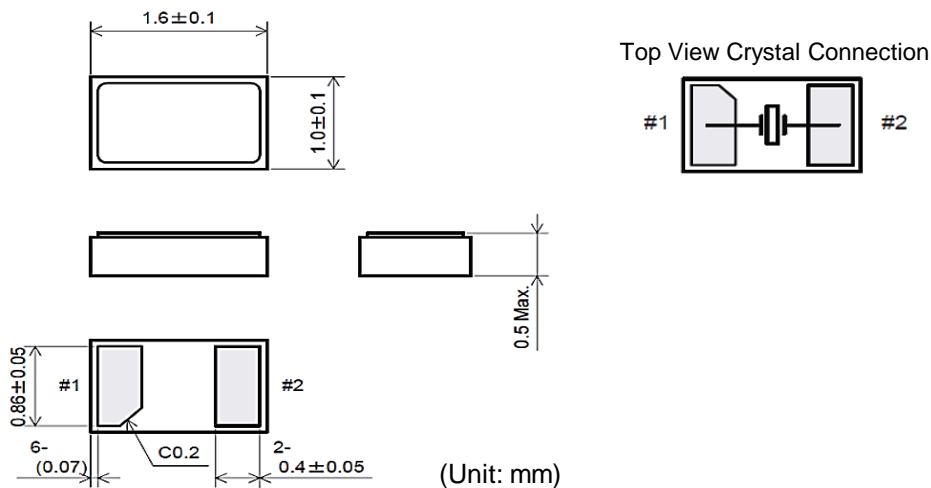
### Applications

- Smart phone
- Compact portable consumer devices
- Communication devices
- Consumer products

### Electrical Characteristics

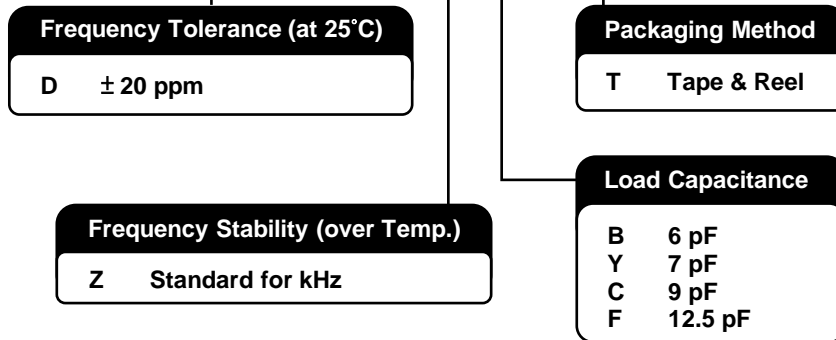
Item	Symbol	QT1C	Conditions
Nominal Frequency	$f_0$	32.768 kHz	
Frequency Tolerance	$\Delta f/f_0$	$\pm 20$ ppm	at 25°C
Load Capacitance	$C_L$	6pF, 7pF, 9pF, 12.5pF	
Operating Temperature Range	$T_{OTR}$	-40°C ~ +85°C	
Storage Temperature Range	$T_{STR}$	-55°C ~ +125°C	
Turnover Temperature	$T_M$	25°C $\pm$ 5°C	
Temperature Coefficient	$\beta$	-0.04 ppm/°C <sup>2</sup> Max.	
Motional Capacitance	$C_1$	6.4 fF Typ.	
Motional Resistance (ESR)	$R_1$	90 kΩ Max.	at 25°C
Drive Level	$D_L$	0.1μW Typ. / 0.5μW Max.	
Aging	$\Delta f/f_0$	$\pm 3$ ppm Max.	at 25°C $\pm$ 3°C, first year
Shunt Capacitance	$C_0$	1.3 pF Typ.	

### Dimensions

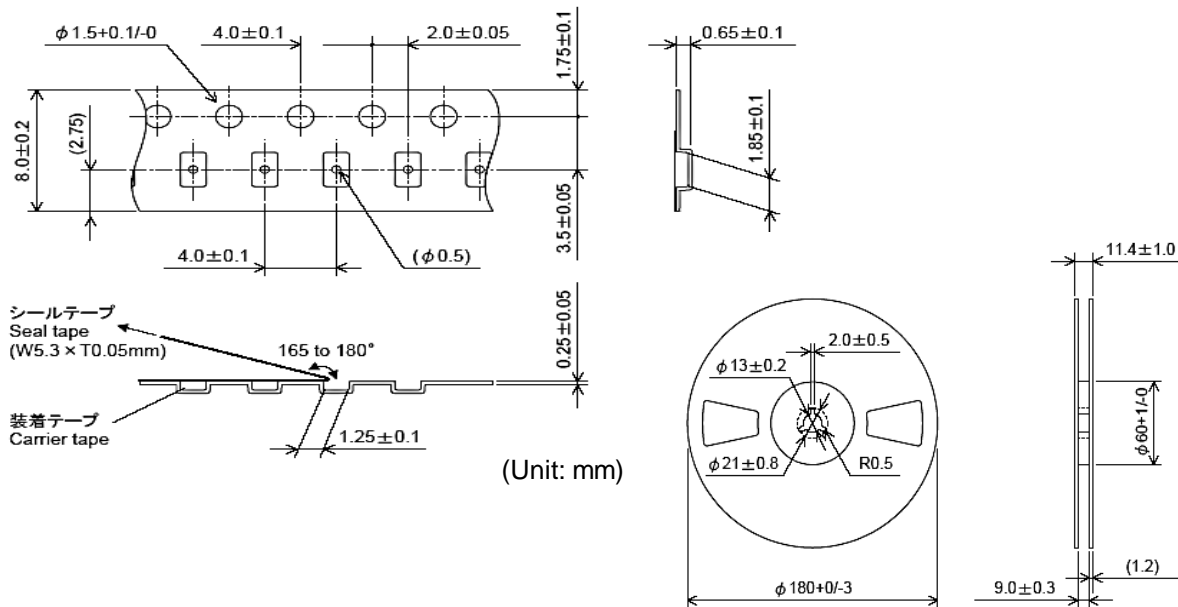


## Ordering Information

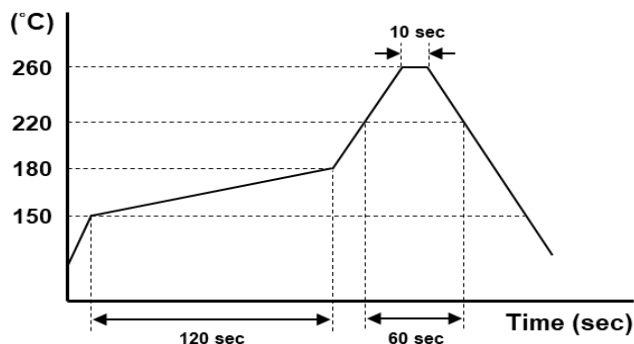
**QT1C - 32.768K D Z F - T**



## Packing



## Reflow Profile



Total time : Max. 200 sec.  
Solder melting point : 220°C