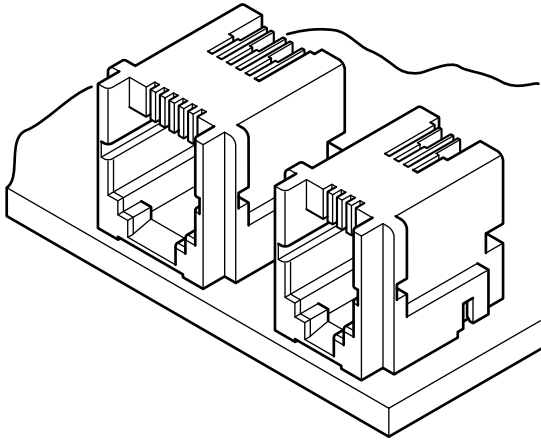


# MJ CONNECTOR

Modular jack connectors



- Upper contact point (Normal type)
- Metal hook
- Shielding effect
- Grounding
- Correspond to high-speed LAN transmission (MJ-88U-SD315K-T)

## Specifications

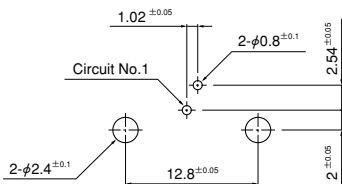
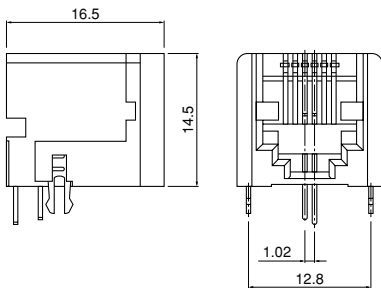
- Current rating: 1.3 A AC, DC
  - Voltage rating: 250 V AC, DC
  - Temperature range: -40°C to +80°C  
(including temperature rise in applying electrical current)
  - Contact resistance: Initial value/ 20 mΩ max.  
After environmental tests/ 40 mΩ max.
  - Insulation resistance: 1,000 MΩ min.
  - Withstanding voltage: 1,000 VAC/minute
  - Applicable PC board thickness: 1.6 mm  
2.4 mm (8 circuits straight type)
- \* Refer to "General Instruction and Notice when using Terminals and Connectors" at the end of this catalog.  
\* Contact JST for details.  
\* Compliant with RoHS.

## Standards

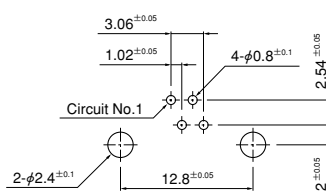
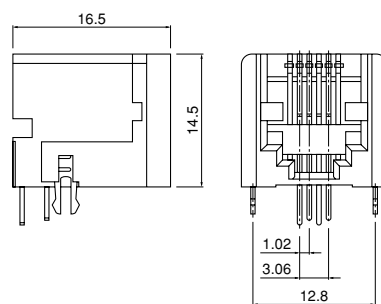
- Ⓜ Recognized E174260
- Ⓢ Certified LR20812  
Conforms to FCC Standard  
(6 circuits and 8 circuits MJ connector)

## Connector

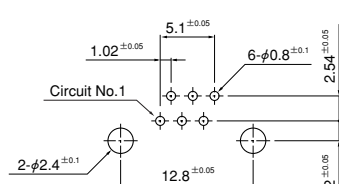
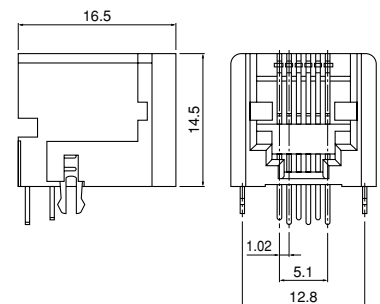
### Normal type 2/6 type



### 4/6 type



### 6/6 type



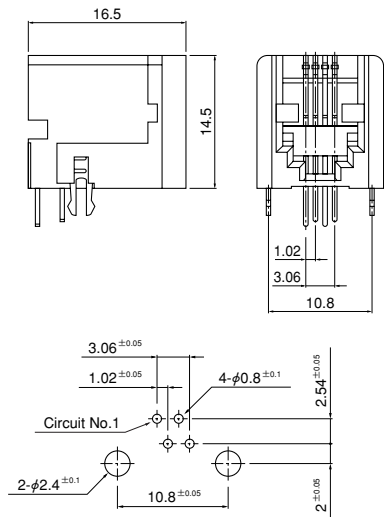
Note: 1. Tolerances are non-cumulative: ±0.05 mm for all centers.

2. Hole dimensions differ according to the type of PC board and piercing method. The dimensions above should serve as a guideline. Contact JST for details.

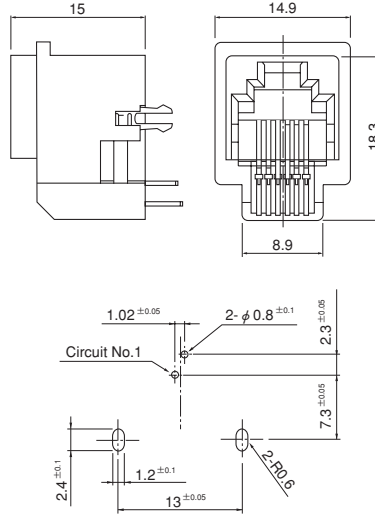
# MJ CONNECTOR

## Connector and PC board layout (viewed from component side)

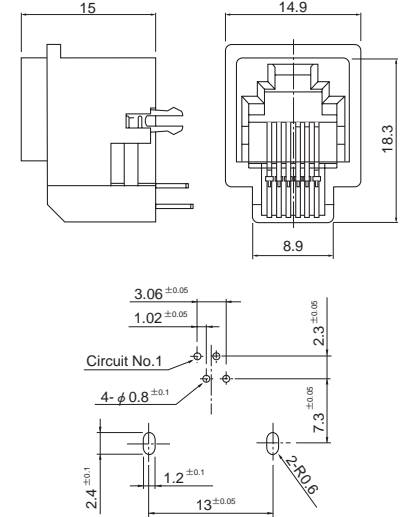
**Normal type  
4/4 type**



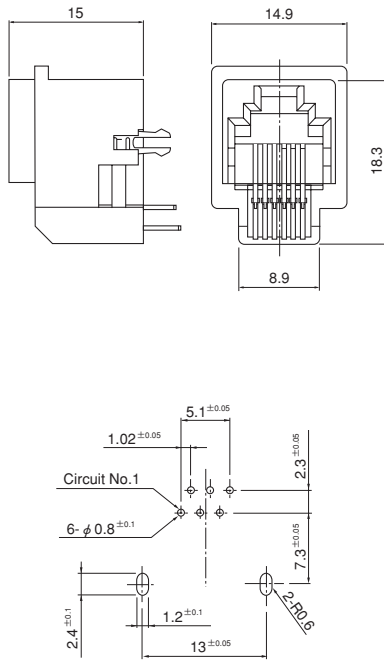
**Straight type  
2/6 type**



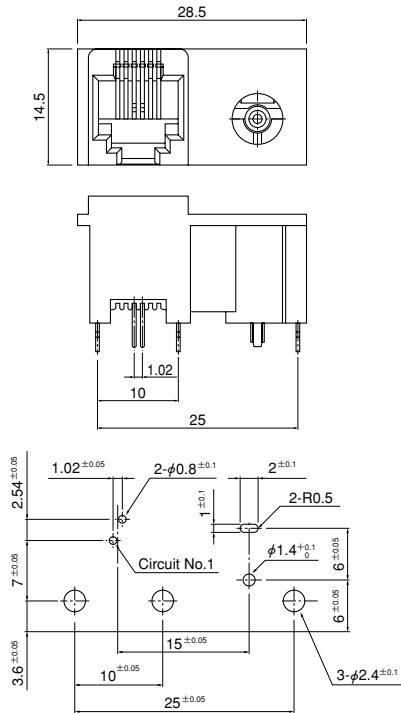
**4/6 type**



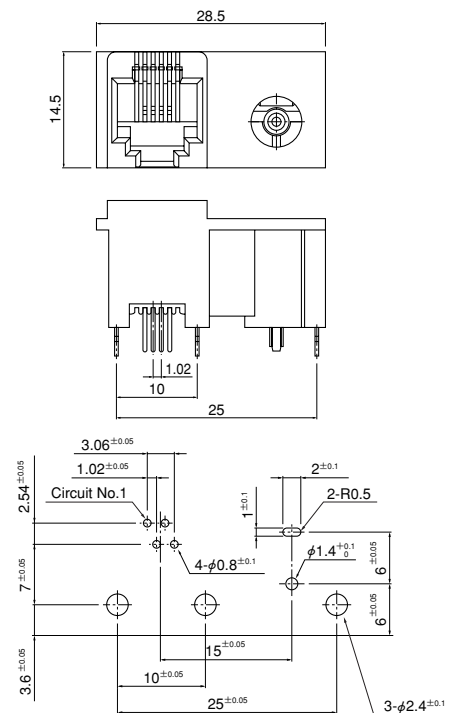
**Straight type  
6/6 type**



**2/6 type with DC jack**



**4/6 type with DC jack**



	Type	Circuits	Model No.	Q'ty/box
Normal type	2/6	2	<b>MJ-62J-RD315</b>	270
	4/6	4	<b>MJ-64J-RD315</b>	270
	6/6	6	<b>MJ-66J-RD315</b>	270
Straight type	4/4	4	<b>MJ-44J-RD315</b>	306
	2/6	2	<b>MJ-62C-SD335</b>	180
	4/6	4	<b>MJ-64C-SD335</b>	180
	6/6	6	<b>MJ-66C-SD335</b>	180
	2/6 with DC jack	2	<b>MJ-62D-SD335</b>	108
4/6 with DC jack	4	<b>MJ-64D-SD335</b>	108	

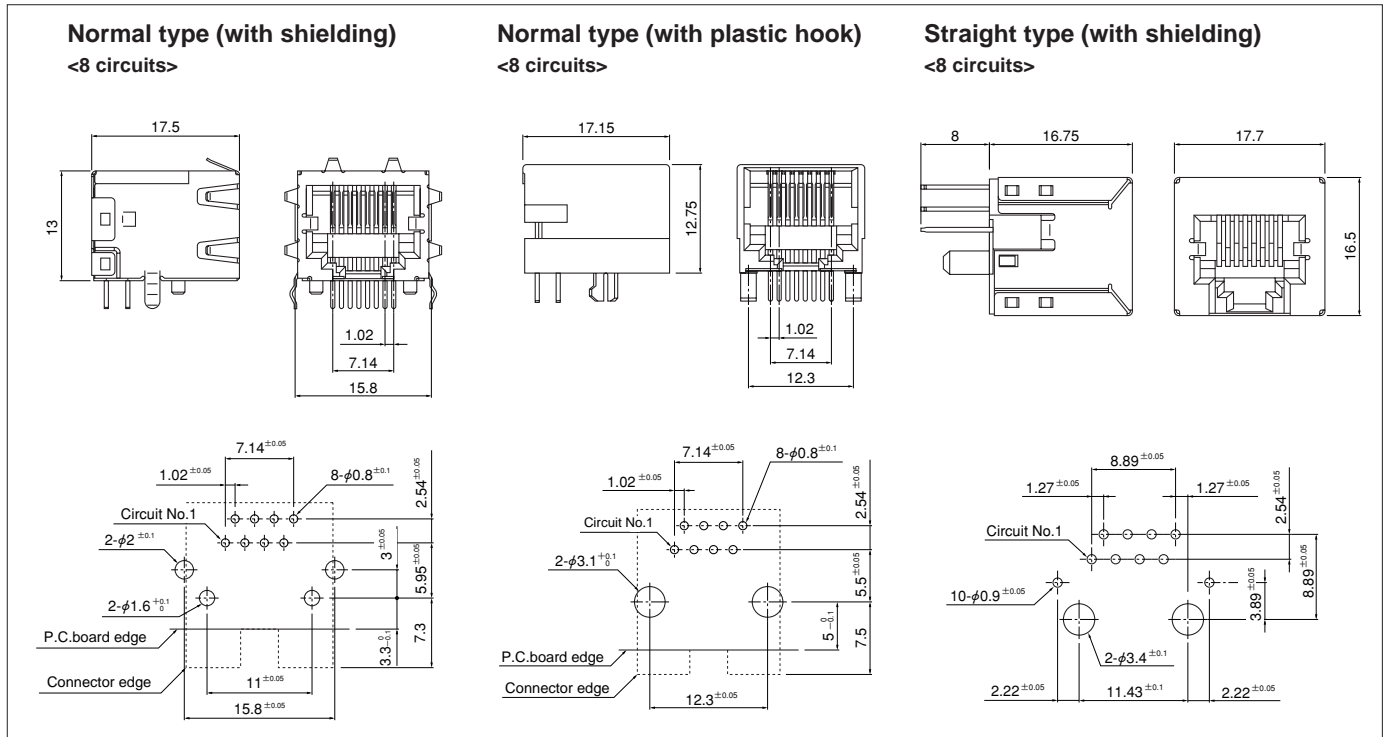
Material and Finish
Contact: Normal type/ Phosphor bronze, nickel-undercoated, Mating part; gold-plated 1.27 μm min. Solder tail; tin-plated (reflow treatment)
Straight type/ Phosphor bronze, nickel-undercoated, Mating part; gold-plated 1.27 μm min. Overall; gold-plated (flash)
Housing: Glass-filled PBT, UL94V-0 Hook pin: Brass, tin-plated (reflow treatment) Moving contact (spring): Copper alloy, tin-plated (reflow treatment) [with-DC-jack type only] Stationary contact (pin): Brass, nickel-undercoated, tin/copper alloy-plated [with-DC-jack type only]

Note: 1. Tolerances are non-cumulative: ±0.05 mm for all centers.  
2. Hole dimensions differ according to the type of PC board and piercing method.  
The dimensions above should serve as a guideline. Contact JST for details.

**RoHS compliance** Normal type displays (LF)(SN) on a label.  
The product with DC jack displays (LF) on a label.

# MJ CONNECTOR

## Connector and PC board layout (viewed from component side)



Type	Circuits	Model No.	Q'ty/box
Normal type (with shielding)	8	<b>MJ-88H-RD315K</b>	520
Normal type (with plastic hook)	8	<b>MJ-88R-RD315K</b>	520
Straight type (with shielding)	8	<b>MJ-88U-SD315K-T</b>	144

### Material and Finish

Contact: Phosphor bronze, nickel-undercoated,  
Mating part: gold-plated 1.27  $\mu\text{m}$  min.  
Solder tail: tin-plated (reflow treatment)  
Housing: Glass-filled PBT, UL94V-0 (Normal type)  
Glass-filled LCP, UL94V-0 (Straight type)  
Shield cover: Phosphor bronze, tin-plated (reflow treatment) [Normal type, Straight type]  
Shield pin: Phosphor bronze, copper-undercoated, tin-plated (reflow treatment) [Straight type]

**RoHS compliance** This product displays (LF)(SN) on a label.

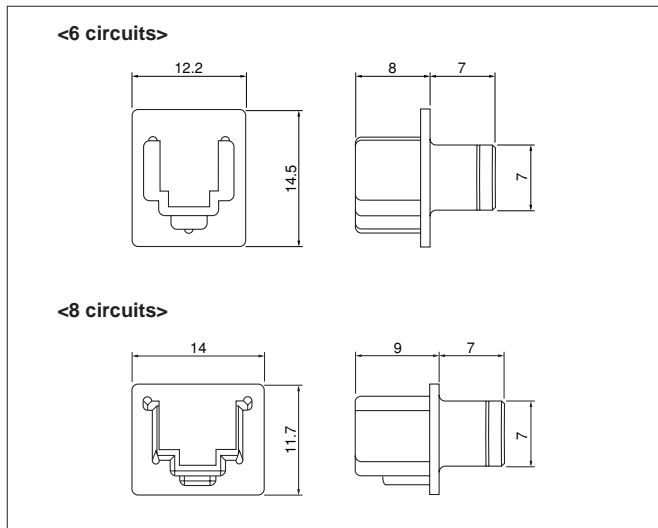
Note: 1. Tolerances are non-cumulative:  $\pm 0.05$  mm for all centers.

2. Hole dimensions differ according to the type of PC board and piercing method.

The dimensions above should serve as a guideline. Contact JST for details.

3. Straight type product is designed for pressing the boss of housing into a PC board and mounting it on a PC board.

## Cap for dust



Circuits	Model No.	Q'ty/box
6	<b>MJ-JP56K</b>	500
8	<b>MJ-JP68K</b>	1,000

### Material

MJ-JP56K: PA 66, UL94V-0  
MJ-JP68K: PBT, UL94V-0

**RoHS compliance**

Note: Not UL/CSA approved.