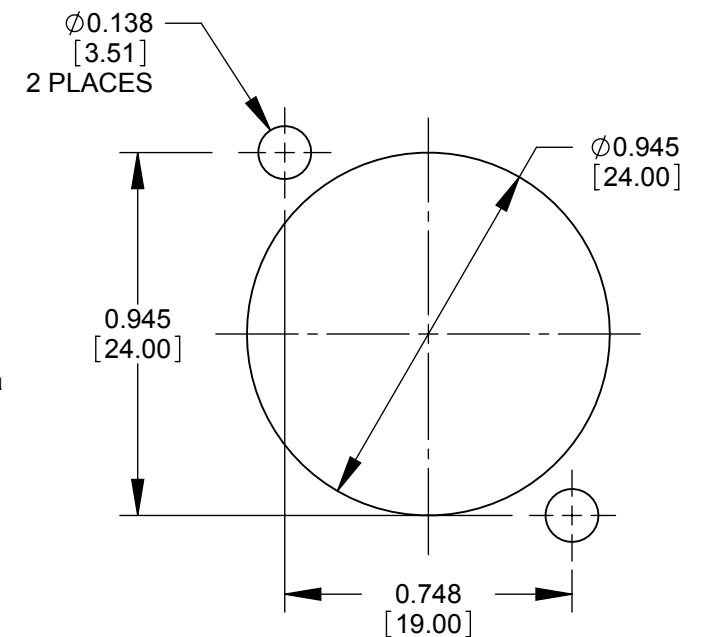
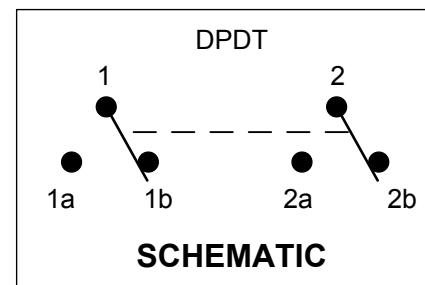


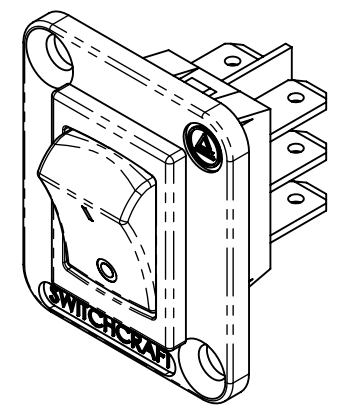
REAR VIEW
TERMINAL ARRANGEMENT



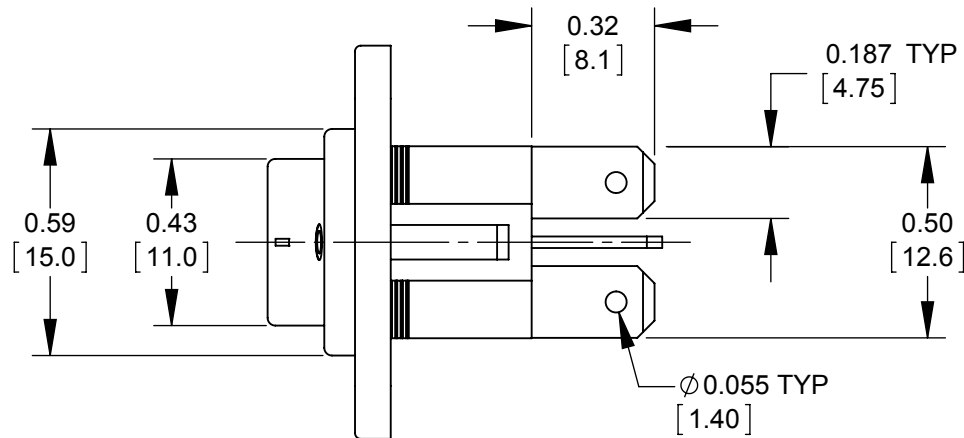
RECOMMENDED
PANEL CUT-OUT



SCHEMATIC



CUSTOMER DRAWING



PART NUMBER	FLANGE FINISH
EHRRL	NICKEL
EHRRLB	BLACK

NOTES:

- SWITCH SPECIFICATIONS:
RECTANGULAR ROCKER SWITCH, UL RECOGNIZED
BLACK WITH WHITE "I/O" MARKINGS
CIRCUIT: DPDT
CIRCUIT FUNCTION: ON-ON
RATING: 16A @ 125-250 VAC, 105° C per UL1054
CONTACT RESISTANCE: 0.01Ω MAX. AT 10mA (INITIAL)
INSULATION RESISTANCE: 10⁹MΩ MIN.
DIELECTRIC WITHSTANDING VOLTAGE: 2,500 V FOR 1 MINUTE
ELECTRICAL LIFE: 100,000 CYCLES, NO LOAD, MINIMUM
TERMINAL STYLE: 0.187" [4.75] QUICK CONNECT TABS, SILVER PLATED
- MATERIAL:
FLANGE - ZINC, SEE TABLE FOR FINISH
SWITCH HOUSING AND KNOB - THERMOPLASTIC
SWITCH TERMINALS & CONTACTS - COPPER ALLOY, AND/OR
COPPER ALLOY SILVER PLATED
- FOR FLANGE MOUNTING SCREWS TO BE SHIPPED WITH ASSEMBLY,
ADD THE SUFFIX "PKG" TO THE PART NUMBER.
- THESE PRODUCTS ARE RoHS COMPLIANT.

REV	ECO NUMBER	DATE	BY	APVD
A	26781	6-9-11	TO	TJK
REVISIONS				

UNLESS OTHERWISE SPECIFIED

- ALL DIMENSIONS IN INCHES
- TWO PLACE DECIMALS ±0.02
- THREE PLACE DECIMALS ±0.005

DO NOT SCALE DRAWING

THIS DRAWING DESCRIBES A DESIGN CONSIDERED PROPRIETARY IN NATURE, DEVELOPED AND MANUFACTURED BY SWITCHCRAFT INC. AND IS RELEASED ON A CONFIDENTIAL BASIS FOR IDENTIFICATION PURPOSES ONLY.

SIZE	WIDTH	MULT	LBS/M	TEMPER
FINISH				
SPEC No.			MATERIAL	
FIRST USED ON			SCALE	
*			2:1	
DATE DRAWN	BY	CHKD	APVD	
07/28/09	BS	PNK	SRC	
		01/31/11	01/31/11	
NAME			PART No.	
EH SERIES DPDT RECTANGULAR ROCKER SWITCH, RoHS			EHRRL SERIES	
				REV
				A

Switchcraft®

SHEET 1 OF 1