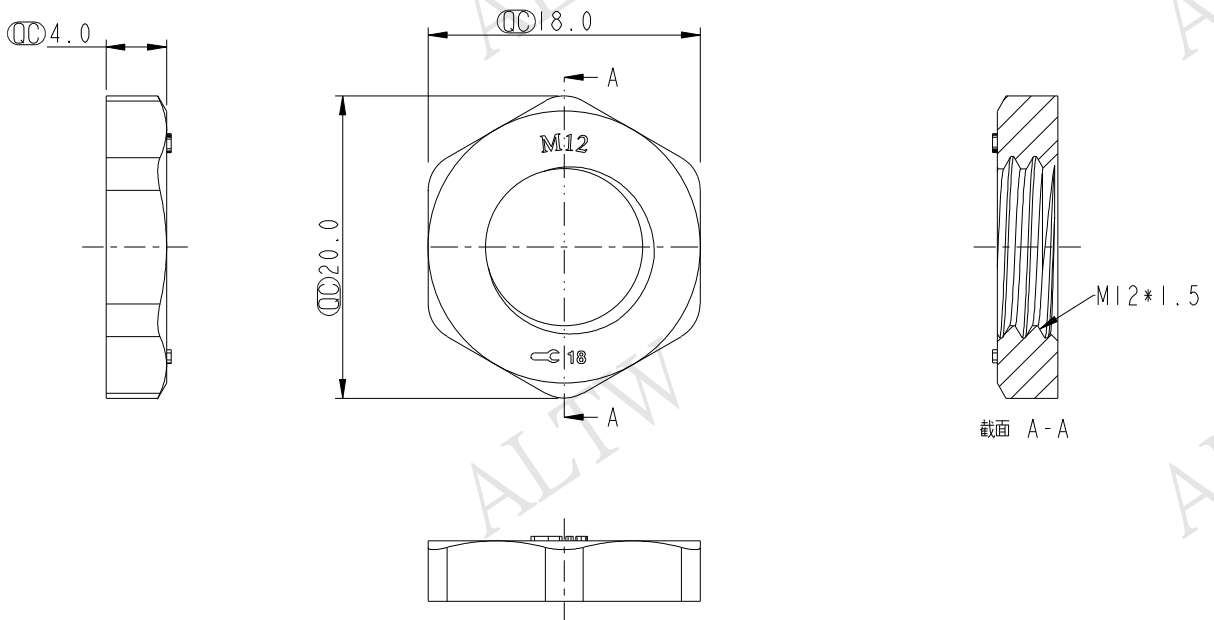


REV.	ECN NO.	DATE	SIGN	DESCRIPTION



Note:  
 \*  $\varnothing$  Important Dimension.  
 \* Material: Nylon+GF  
 \* Color: Black

UNIT: mm		TITLE NUT (M12*1.5)			ITEM NO APTP-ABKPA012-001		DRAWN BY Jinhai		DATE 2017-03-29			
		SCALE 2:1			SIZE A4		DWG NO APTP-ABKPA012-001		CHECKED BY Feng-li		DATE 2017-03-29	
		REV. A			WC-REV. A.1		CUSTOMER ALTW		APPROVED BY Jerry		DATE 2017-03-29	
TOLERANCE .X ±0.25 .XX ±0.1 .XXX ±0.05 ANGLES ±1°			SHEET 1 OF 1 WC-REV. A.1 $\varnothing$ : Inspection item			Amphenol LTW 安費諾亮泰企業股份有限公司		FMW10702-01-02A1				

THIS DOCUMENT IS SUBJECT TO CHANGE WITHOUT NOTICE. IT IS CONFIDENTIAL AND A PROPERTY OF AMPHENOL LTW. DISCLOSURE TO THIRD PARTY HAS TO BE AUTHORIZED BY AMPHENOL LTW.