



LAYOUT SHOWN AS EXAMPLE

Keying Shown as example

**CHARACTERISTICS**

- Standard : Based on MIL-DTL-38999 Series III
- Shell Material : Composite
- Shell Plating : Olive drab Cadmium
- Insulator : Thermoplastic
- Contacts : Copper Alloy
- Seals & Grommet : Silicon Elastomer
- Contact Plating : Gold over copper Alloy 0.8µm minimum
- Durability : 500 Mating cycles
- Delivered with Souriau contacts and Accessories
- Temperature Range : -65°C to +175°C
- Salt Spray : 2000 hours
- Mass : 30.1 g ± 10%

| Connector dimension |             |
|---------------------|-------------|
| Dim                 | Nominal     |
| P                   | 3.25±0.2    |
| PP                  | 4.93±0.2    |
| R1                  | 31.75       |
| R2                  | 29.36       |
| S                   | 39.7±0.3    |
| V'                  | 18.7+1.4/-0 |
| W'                  | 2.1/4.35    |
| Z'                  | 32 Max      |
| VV THREAD           | M31x1-6g    |

SOURIAU shall not be liable for any non-conformity or damage due to a use of the Products which does not comply with the Specifications issued by either of the Parties or by a third party (professional recommendation, technical notice.)

|         |                             |
|---------|-----------------------------|
| Country | Jurisdiction & Control List |
| FR      | Not Listed                  |

**PN: 8D021J41AB**

|              |            |                          |                         |
|--------------|------------|--------------------------|-------------------------|
| A            | 02-11-2016 | First Release            |                         |
| ISS          | DATE       | Latest modification - by | MOD N°                  |
| Designed By: |            | Date:                    | <b>CUSTOMER DRAWING</b> |

BASIC SERIES: 8D 0 - 21 J 41 A B

SHELL TYPE : Square Flange Receptacle

CONTACT TYPE : Standard Crimp Contact

SHELL SIZE : 21

PLATING : J = Olive drab Cadmium

ORIENTATION : B

CONTACT TYPE : PIN(500 Matings)

CONTACT LAYOUT : 21-41

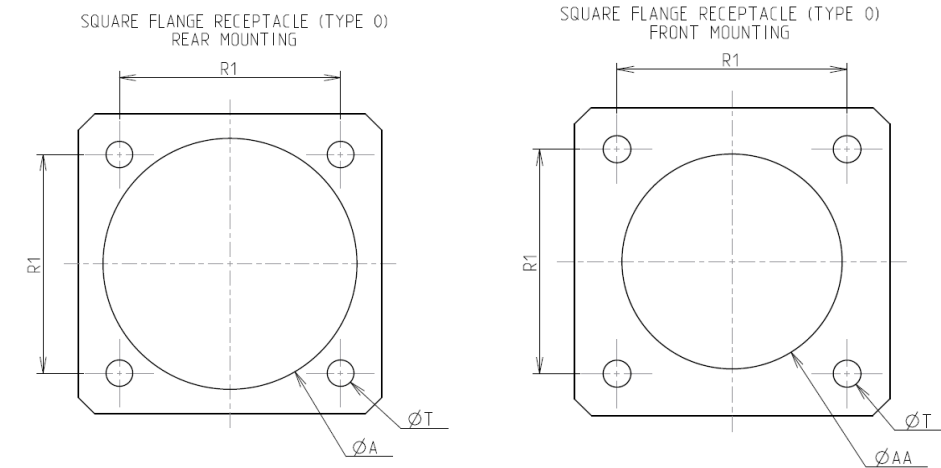
|                                    |                                |                                |   |
|------------------------------------|--------------------------------|--------------------------------|---|
| <b>TITLE</b>                       | Composite Receptacle 8D series |                                |   |
| SCALE                              | NA                             | General linear Tolerances: ±-- | NPRDS / PROJECT<br><b>859</b>   |
| <b>SOURIAU</b>                     | <b>WWW.SOURIAU.COM</b>         |                                | This document is the property of SOURIAU it must not be reproduced or communicated without permission |
| FORMAT                             | <b>A3</b>                      |                                | SHEET<br>1/2  |
| <b>SOURIAU DRG N° 8D021J41AB-C</b> |                                |                                |   |

Contact Layout



| Insert arrangement 21-41 |                 |                    |               |                |                  |            |
|--------------------------|-----------------|--------------------|---------------|----------------|------------------|------------|
| Shell size               | Arrangement no. | Number of contacts | Size contacts | Service rating | Contact location | Supersedes |
| 21                       | -41             | 41                 | 20            | I              | All              | MS20055-41 |

Panel Cutout



| Dim | Nominal    |
|-----|------------|
| ØA  | 36.12 min  |
| ØAA | 32.16 min  |
| R1  | 31.75      |
| ØT  | 3.25 ±0.13 |

SOURIAU shall not be liable for any non-conformity or damage due to a use of the Products which does not comply with the Specifications issued by either of the Parties or by a third party (professional recommendation, technical notice.)

| Country | Jurisdiction & Control List |
|---------|-----------------------------|
| FR      | Not Listed                  |

**PN: 8D021J41AB**

|                |                                       |                                |   |
|----------------|---------------------------------------|--------------------------------|---|
| A              | 02-11-2016                            | First Release                  |   |
| ISS            | DATE                                  | Latest modification - by       | MOD N°  |
| Designed By:   |                                       | Date:                          | <b>CUSTOMER DRAWING</b>   |
| <b>TITLE</b>   | <b>Composite Receptacle 8D series</b> |                                |   |
| SCALE          |                                       | General linear Tolerances: ±-- | NPRDS / PROJECT<br><b>859</b>   |
| NA             |                                       |                                |   |
| <b>SOURIAU</b> | <b>WWW.SOURIAU.COM</b>                |                                | This document is the property of SOURIAU it must not be reproduced or communicated without permission |
| FORMAT         | <b>SOURIAU DRG N° 8D021J41AB-C</b>    |                                | SHEET<br>2/2  |