

NUMBER C-179467  
METRIC

ALL DIMENSIONS IN MM. DO NOT SCALE PRINT

PRINT DIST

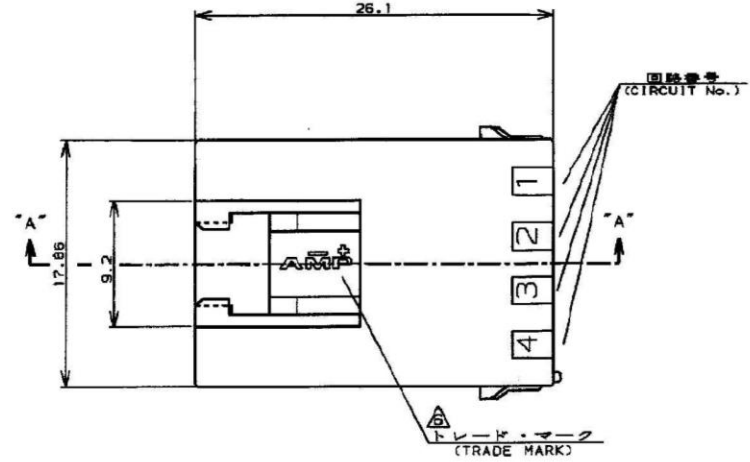
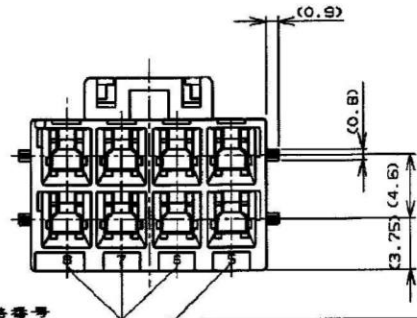
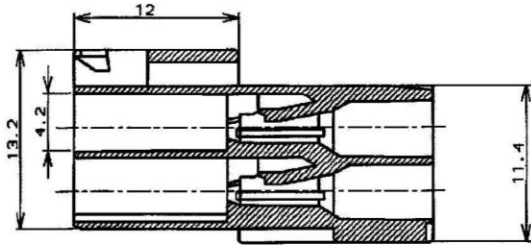
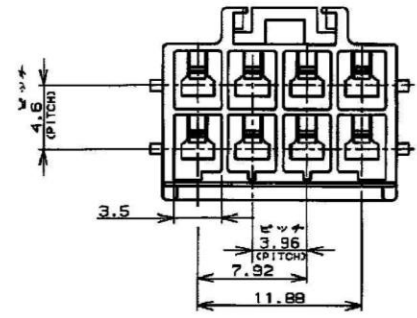


表1 (TABLE 1)

トレードマーク (TRADE MARK)	生産場所 (MANUFACTURING PLACE)
—AMP OR AMP	日本 (JAPAN)
—+AMP OR AMP	中国 (CHINA(PRC))
*AMP OR AMP	韓国 (KOREA)



- 断 面 "A"-"A" (SECT)
- NOTE:
- PRODUCT SPEC. 108-5410
  - APPLICABLE CONTACT P/N  
TAB CONTACT: 177917-[K\*20-#16AWG]  
177915-[K\*26-#22AWG]
  - MATING CONN. P/N  
PLUS HSG: 177902-[ ]  
REC CONTACT: 177915-[K\*20-#16AWG]  
177914-[K\*26-#22AWG]
  - APPLICABLE PLATE P/N: 177920-[ ]
  - INSTRUCTION SHEET: 411-5638
- SEE TABLE 1

7. PART 5-179467-1 COMPLY WITH GLOW WIRE REQUIREMENT FOR PARTS OF NON-METALLIC MATERIAL SUPPORTING A CURRENT-CARRYING CONNECTION DETAILED IN IEC 60335-1, SECTION 30(GWT)

8. PART 179467-7 COMPLY WITH HOT WIRE REQUIREMENT, PA86, UL 94V-0. HOT WIRE IGNITION (HWI) VERSION ARE MOLDED IN A RESIN THAT COMPLES WITH TE HOT WIRE IGNITION TEST 109-32028 AND ARE RECOMMENDED FOR USE WITH HWI HOUSING THAT ALSO COMPLY.

△ Preliminary-not for production

自然色 (NATURAL)	B	179467-7 △
自然色 (NATURAL)	B	5-179467-1
青 (BLUE)	↑	↑ -6
黄 (YELLOW)	↑	↑ -4
自然色 (NATURAL)	B	179467-1
ハウジング色別 (HOUSING COLOR)	極限 (Pos.)	型番 (P/N)

- 注:
- 通用製品規格: 108-5410
  - 通用コンタクト型番  
タブ・コンタクト: 177917-[K\*20-#16AWG]  
177915-[K\*26-#22AWG]
  - 鉄合相手側製品型番  
プラグ・ハウジング: 177902-[ ]  
リセ・コンタクト: 177915-[K\*20-#16AWG]  
177914-[K\*26-#22AWG]
  - 通用プレート型番: 177920-[ ]
  - 取扱説明書: 411-5638
- △ 表1参照
10. APPLICATION SPEC: 114-5175

REV. 履歴 (REVISION RECORD)		DR		CHK		DATE		SPEC. 仕様 (SPECIFICATION)		MATERIAL 材料 (MATERIAL)		FINISH 仕上 (FINISH)		NAME 名称 (NAME)	
B4	REVISED PER ECR-19-017851	SM	DZ			20NOV 2019		線径 (WIRE RANGE)	絶縁材料 (INSULATION DIA.)	AMP Tycos Electronics AMP K.K. Kawasaki, Japan					
B3	REVISED ECR-14-017020	WW	D.Z			14NOV 2014		mm# (AWG - )	mm#	アンパ パワー ダブルロック コネクタ					
B2	REVISED ECR-14-013449	WW	D.Z			14NOV 2014		6/6 ナイロン (UL94V-0)	6/6 NYLON (UL94V-0)	自然色 (NATURAL) B 179467-1					
B1	REVISED ECR-13-019881	A.Z	D.Z			23DEC 2013		6/6 ナイロン (UL94V-0)	6/6 NYLON (UL94V-0)	ハウジング色別 (HOUSING COLOR) 極限 (Pos.) 型番 (P/N)					
B	変更 F300-1389-01	NY	NY			11JUN 19		仕上 (FINISH)		AMP POWER DOUBLE LOCK CONN. 3.05mm PITCH CAP HOUSING 8 Pos (FREE HANGING)					
A	変更 F300-0953-08	TY	NS			24MAR 98		一般公差		SIZE LOC 番号 (No.)		B J C-179467			
O	作成 F300-1011-84	Y.K	Y.K			8.AUG 84		DR. 20/JUL/84 DE. 20/JUL/84		尺規 (SCALE)		REV. B4 SHEET 1 OF 1			
LTR	変更 (REVISION RECORD)	DR	CHK	DATE	CHK.	5/AUG/84	APP.	M. SHINDO Y. KASHIWA		REV. B4		SHEET 1 OF 1			

CUSTOMER DRAWING

1028600