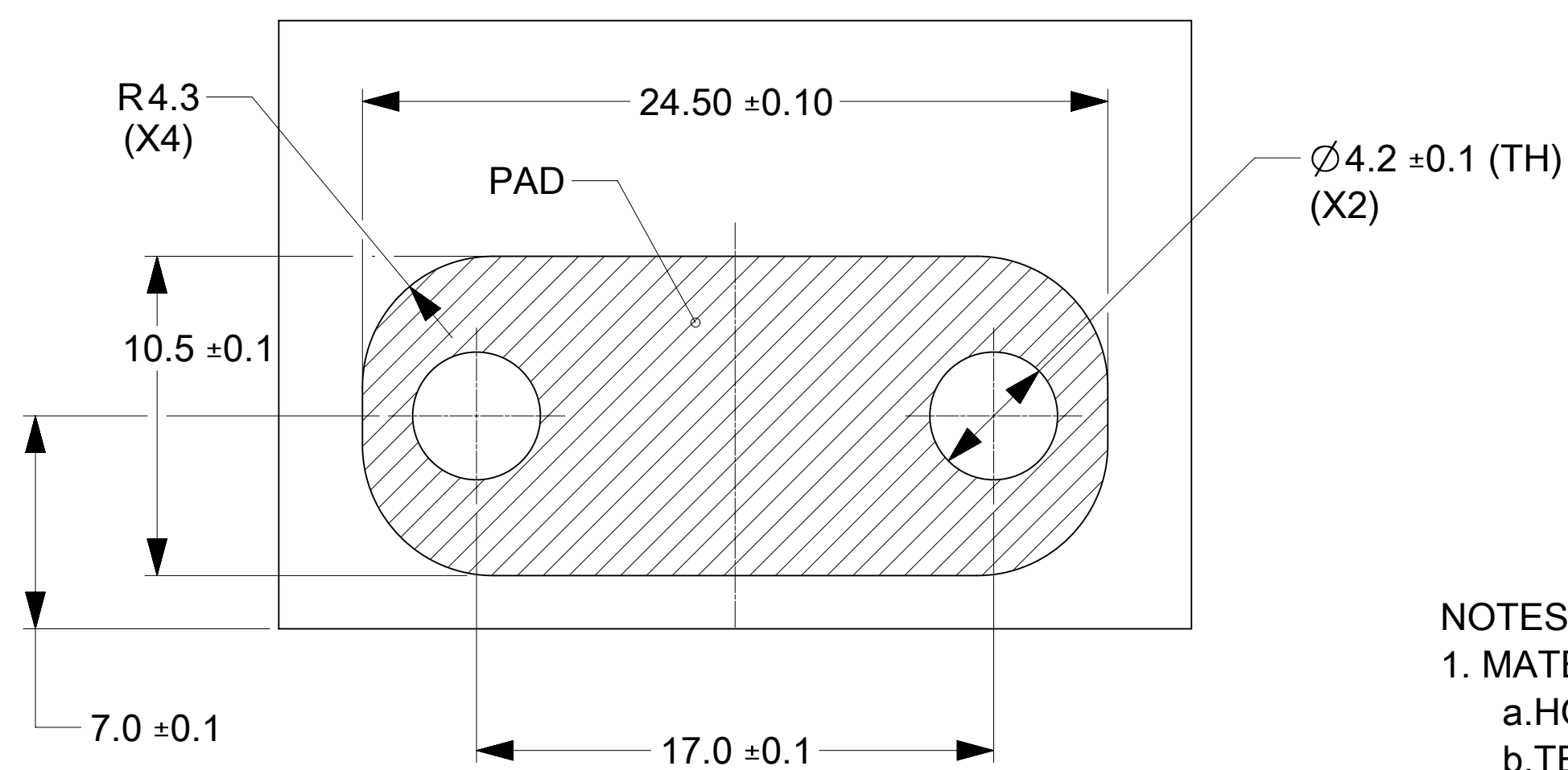
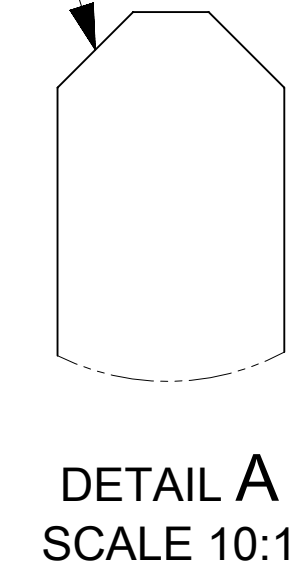


PCB, BUSBAR, SCREWS AND NUTS
IN THESE VIEWS ARE SHOWN FOR REFERENCE ONLY

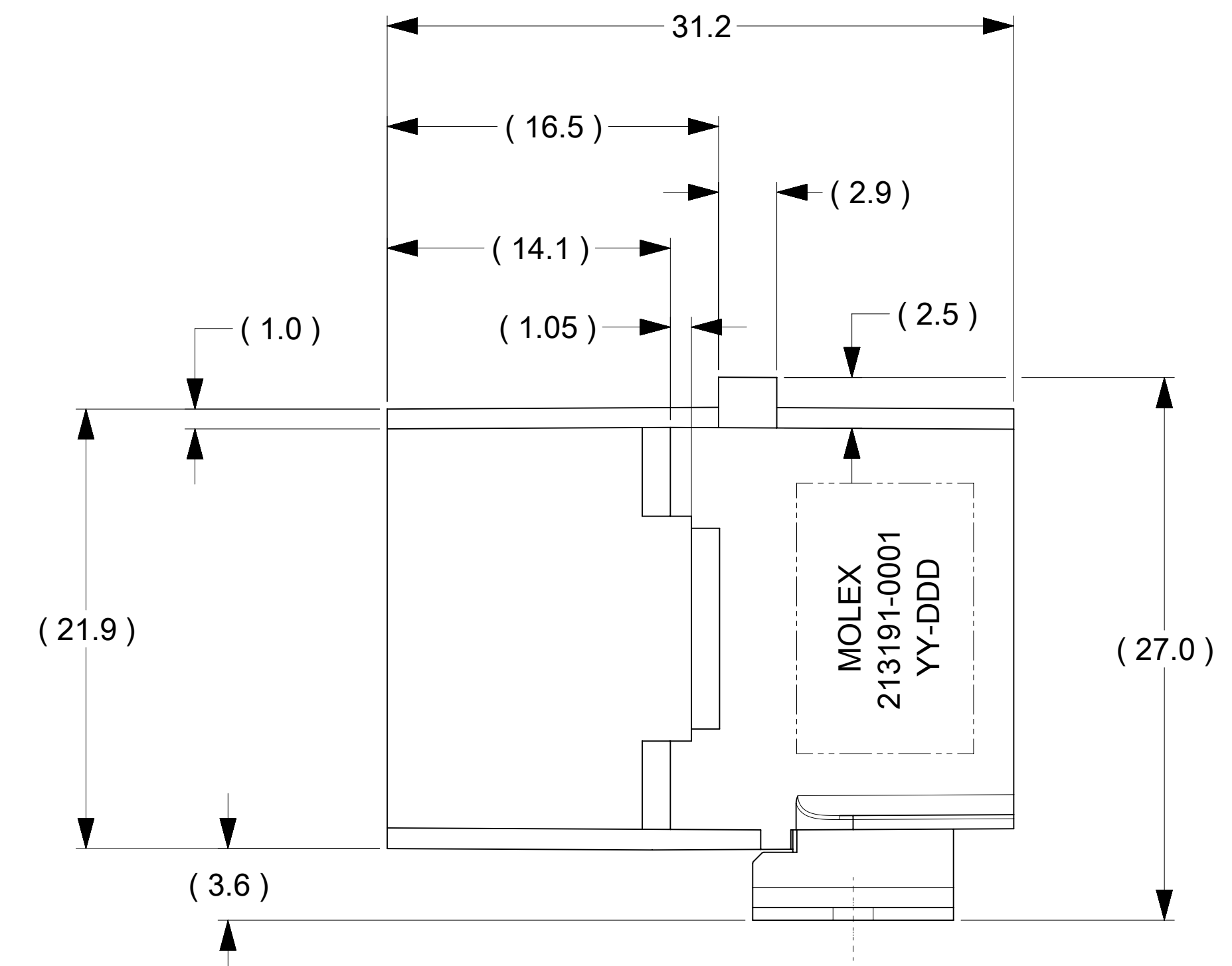


0.5 MIN. CHAMFERED
EDGE RECOMMENDED



NOTES:

- MATERIALS:
 - HOUSING BODY: POLYMER. UL94V-0; BLACK.
 - TERMINALS: COPPER ALLOY.
 - RIVET: COPPER ALLOY.
- PLATING:
 - CONTACT AREAS: 3.18 MIN MICRON SILVER, OVER 1.27 MIN. MICRON NICKEL.
 - TAB AREAS: 3.18 MIN. MICRON TIN, OVER 1.27 MIN. MICRON NICKEL.
 - REST: 1.27 MIN. MICRON NICKEL OVERALL.
- LUBRICATION: LUBED IN CONTACT AREA.
- REFERENCE DOCUMENT: 2131910001-PS, 2131910001-AS
- MODULE ASSEMBLY IS RoHS COMPLIANT.
- FINAL ASSEMBLY TO BE PACKAGED AND LABELED PER PACKAGING DRAWING NUMBER 2131910001-PK.
- MATED BUSBAR SHOULD BE PLATED WITH SILVER OVER NICKEL.



RECOMMENDED PCB LAYOUT

THIS DRAWING CONTAINS INFORMATION THAT IS PROPRIETARY TO MOLEX ELECTRONIC TECHNOLOGIES, LLC AND SHOULD NOT BE USED WITHOUT WRITTEN PERMISSION									
SYMBOLS		DIMENSION UNITS		SCALE		CURRENT REV DESC:			
▽ = 0		mm		5:1		EC NO: 696673			
▽ = 0		GENERAL TOLERANCES (UNLESS SPECIFIED)				DRWN: TOMLU 2022/02/21			
▽ = 0		ANGULAR TOL ± °				CHK'D: BPISZCZOR 2022/02/21			
▽ = 0		4 PLACES ±				APPR: BPISZCZOR 2022/02/21			
▽ = 0		3 PLACES ±				INITIAL REVISION:			
▽ = 0		2 PLACES ± 0.15				DRWN: TOMLU 2020/01/20			
▽ = 0		1 PLACE ± 0.25				2021/03/23			
▽ = 0		0 PLACES ±				APPR: BPISZCZOR			
■ = 0		DRAFT WHERE APPLICABLE MUST REMAIN WITHIN DIMENSIONS		THIRD ANGLE PROJECTION		DRAWING		SERIES	
▽ = 0		D-SIZE		213191		MATERIAL NUMBER		CUSTOMER	
						2131910001		1 OF 1	

molex

POWER PLANE BBC 7C RIGHT ANGLE

PRODUCT CUSTOMER DRAWING

DOCUMENT NUMBER	DOC TYPE	DOC PART	REVISION
2131910001-SD	PSD	000	A1