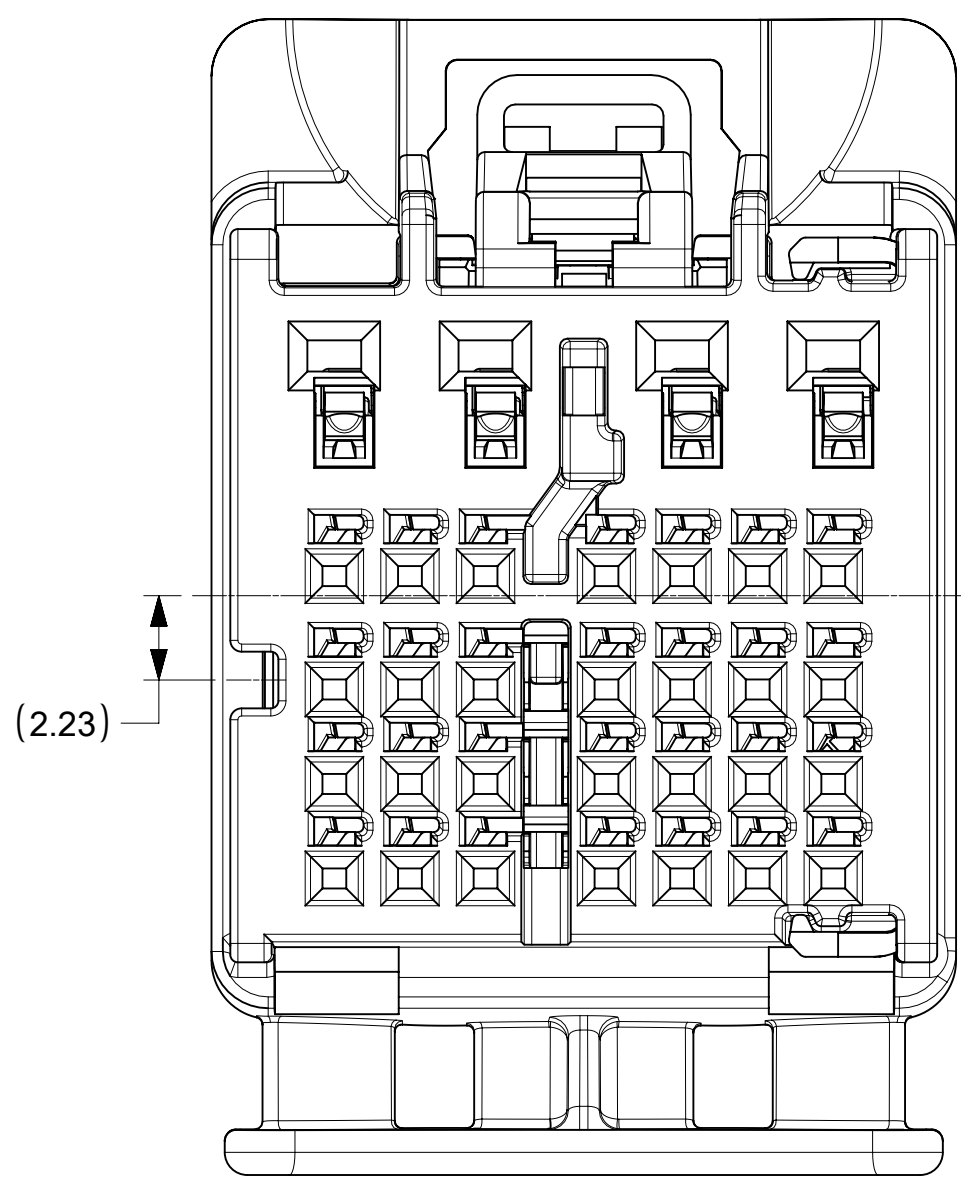
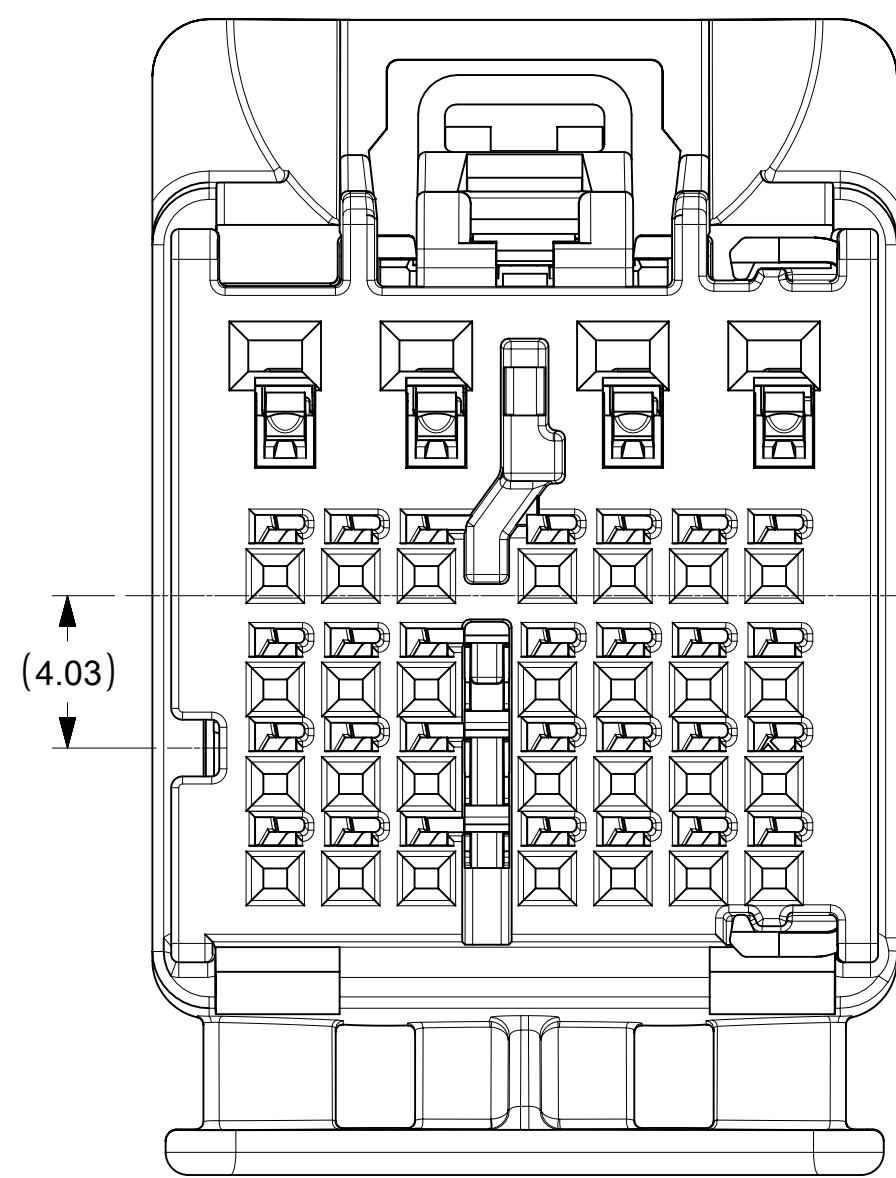


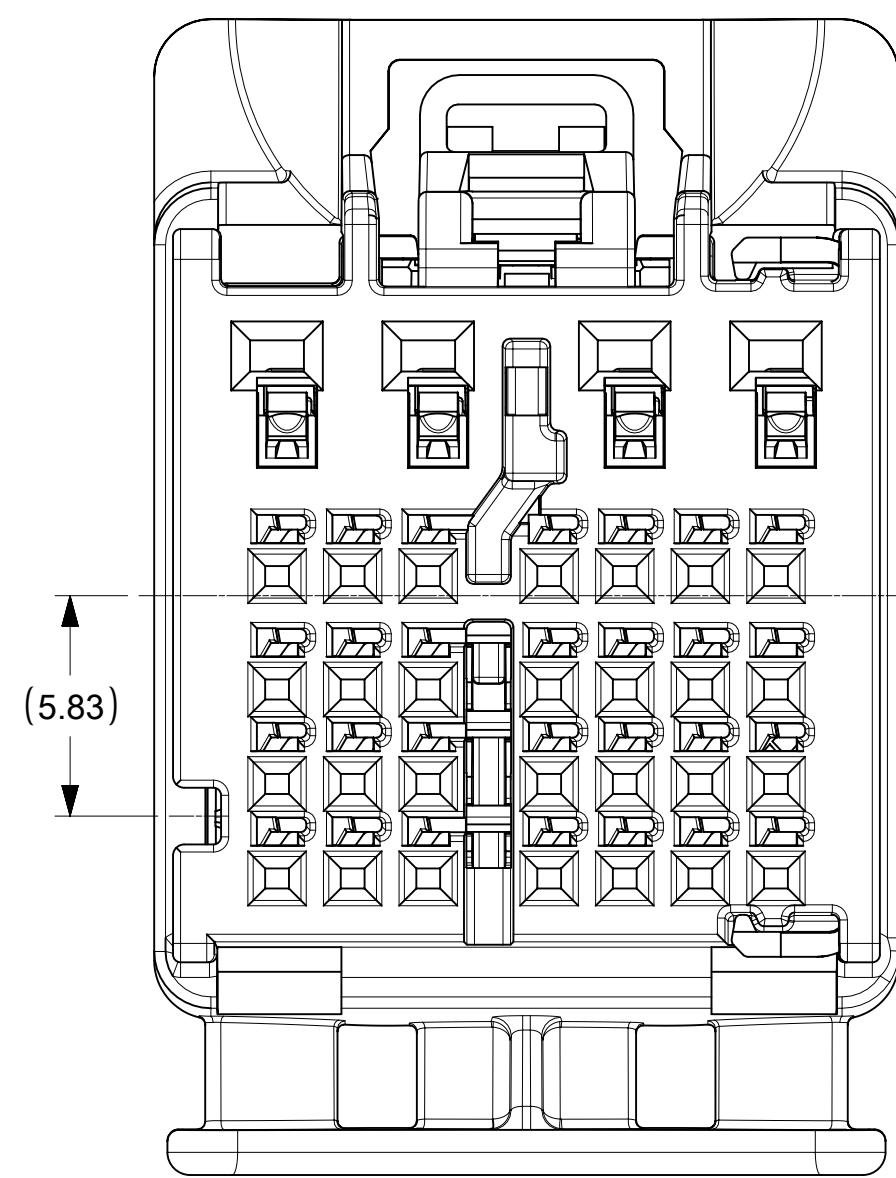
32 WAY CONNECTOR ASSEMBLY  
KEY 1 & KEY 5



32 WAY CONNECTOR ASSEMBLY  
KEY 2 & KEY 6



32 WAY CONNECTOR ASSEMBLY  
KEY 3 & KEY 7



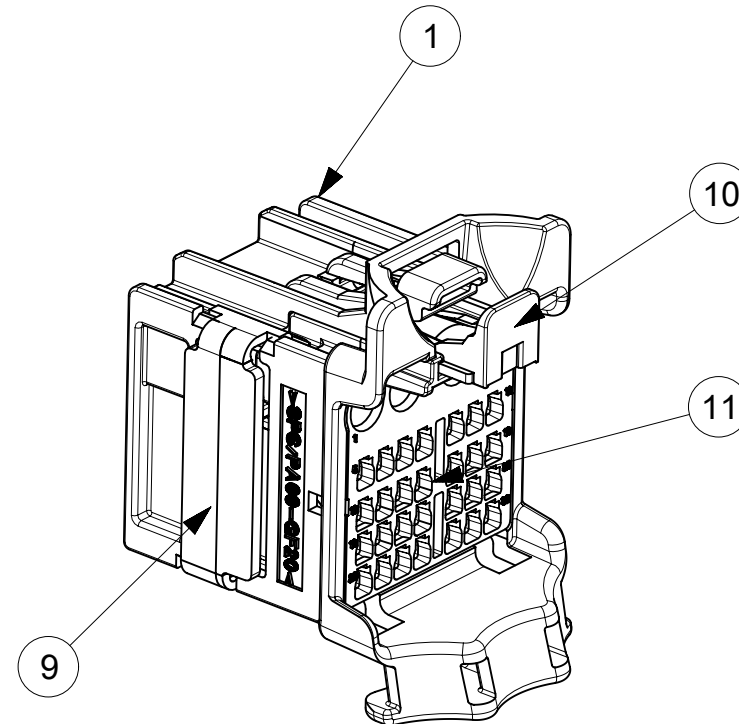
32 WAY CONNECTOR ASSEMBLY  
KEY 4 & KEY 8

- NOTES: VALID UNLESS OTHERWISE SPECIFIED
- GENERAL:
    - APPLICATION SPECIFICATION SEE: AS-160014-001
    - PRODUCT SPECIFICATION SEE: PS-160014-001
    - PACKAGING SPECIFICATION PER MOLEX DRAWING: PK-31302-266
    - PARTS MUST BE IN COMPLIANCE TO MOLEX CHEMICAL SUBSTANCES FOR PRODUCTS AND PACKAGING SPECIFICATION: ES-40000-5016
    - DATA MUST BE SUBMITTED UNDER THE MOLEX PART NUMBER TO IMDS (COMPANY ID#13255)
  - DESIGN - MATERIALS:
    - SEE BOM TABLE
  - DESIGN - GEOMETRY:
    - ALL GRAPHIC DATA IS BASIC (NO TOLERANCE) AND MUST BE TAKEN FROM THE DATA FILE AT ITS LATEST REVISION.
    - PRODUCT DESIGN MODEL NUMBER(S): SEE BOM TABLE
    - GEOMETRIC DIMENSIONS AND TOLERANCES PER ASME Y14.5-2009
    - EDGES AND UNDIMENSIONED DETAILS PER ISO13715
    - CORNERS SHOWN AS SHARP TO BE R 0.2 MAX.
    - MARKED TEXT TO INCLUDE RECYCLING CODE, CAVITY ID, VENDOR IDENTIFICATION AND CUSTOMER MATERIAL NUMBER.
      - LASER ETCHED DATE CODE
        - 1ST THROUGH 2ND DIGIT = CALENDAR YEAR
        - 3RD THROUGH 5TH DIGIT = "DAY #" OF YEAR
        - 6TH THROUGH 7TH DIGIT = HOUR OF DAY
        - 8TH THROUGH 9TH DIGIT = MINUTE OF HOUR
        - 10TH THROUGH 11TH DIGIT = SECOND OF MINUTE
  - DESIGN - MANUFACTURING:
    - VISUAL DEFECTS SHALL MEET COSMETIC STANDARD PS-45499-002 (Class B)

PART NUMBER	PLATING	SUPPLIER	WIRE GAGE (mm2)	TERMINAL FAMILY	WIRE SPECIFICATION
200096-3101	TIN PLATING	MOLEX	0.35	TAK FAMILY (0.5 mm)	VW 60306 OR GMW 15626 (SEE APPLICATION SPECIFICATION FOR MORE DETAILS)
200096-3201	TIN PLATING	MOLEX	0.13	TAK FAMILY (0.5 mm)	
2272196-2	TIN PLATING	TE	0.35	Generation 50 Locking Lance (0.5mm)	SAE/ J1128 THIN WALL INSULATION
2272196-1	TIN PLATING	TE	0.13	Generation 50 Locking Lance (0.5mm)	
35072403	TIN PLATING	DELPHI	0.35 - 0.5	TAXI TERM OCS 1.2	
35072404	TIN PLATING	DELPHI	0.75 - 0.8		
35072405	TIN PLATING	DELPHI	0.8 - 1.0		
35072406	TIN PLATING	DELPHI	1.25 - 1.5		GMW 15626 INSULATION TYPE FLR (REGULAR THIN WALL)
SMSA-A031T-M1.2	TIN PLATING	JST	0.5 - 0.75	MSA 1.2mm TERMINAL	
SMSA-A041T-M1.2	TIN PLATING	JST	1.0 - 1.5	MSA 1.2mm TERMINAL	

ITEM	DESCRIPTION	COLOR	RECYCLING CODE	WEIGHT (GRAMS)	RIB OPTION	NO OF ITEMS REQUIRED														
1	OUTER SHROUD - KEY 1	BLACK	SPS/PA66-GF20	3.2	A	1														
2	OUTER SHROUD - KEY 2	BLUE	SPS/PA66-GF20	3.2	A		1													
3	OUTER SHROUD - KEY 3	DARK GRAY	SPS/PA66-GF20	3.2	A			1												
4	OUTER SHROUD - KEY 4	PURPLE C	SPS/PA66-GF20	3.2	A				1											
5	OUTER SHROUD - KEY 5	PINK B	SPS/PA66-GF20	3.2	B					1										
6	OUTER SHROUD - KEY 6	TBD	SPS/PA66-GF20	3.2	B						1									
7	OUTER SHROUD - KEY 7	LIGHT BROWN	SPS/PA66-GF20	3.2	B														1	
8	OUTER SHROUD - KEY 8	TBD	SPS/PA66-GF20	3.2	B															1
9	ISL	NATURAL	SPS-GF30	0.37	N/A	1	1	1	1	1	1	1	1	1	1	1	1	1	1	1
10	CPA	NATURAL	PA66-GF50	0.08	N/A	1	1	1	1	1	1	1	1	1	1	1	1	1	1	1
11	INNER HOUSING	STONE GRAY	SPS/PA66-GF20	1.75	N/A	1	1	1	1											
12	INNER HOUSING	STONE GRAY	SPS/PA66-GF20	1.75	N/A															

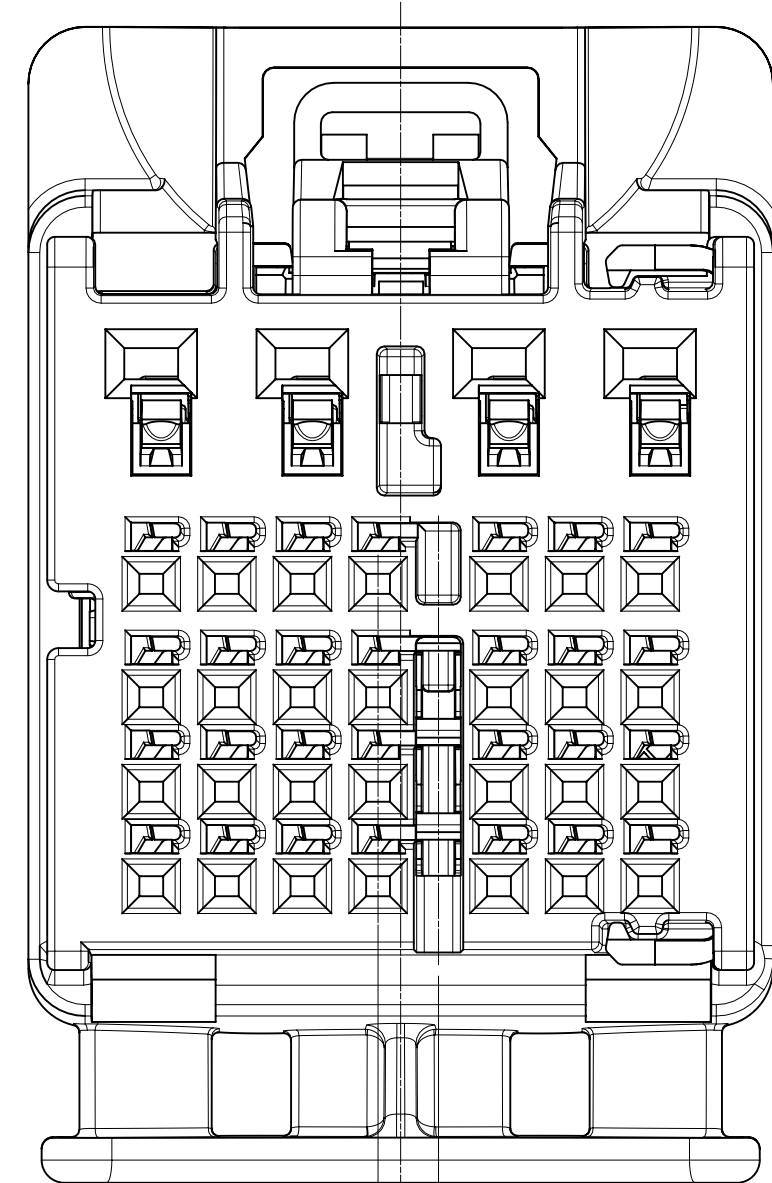
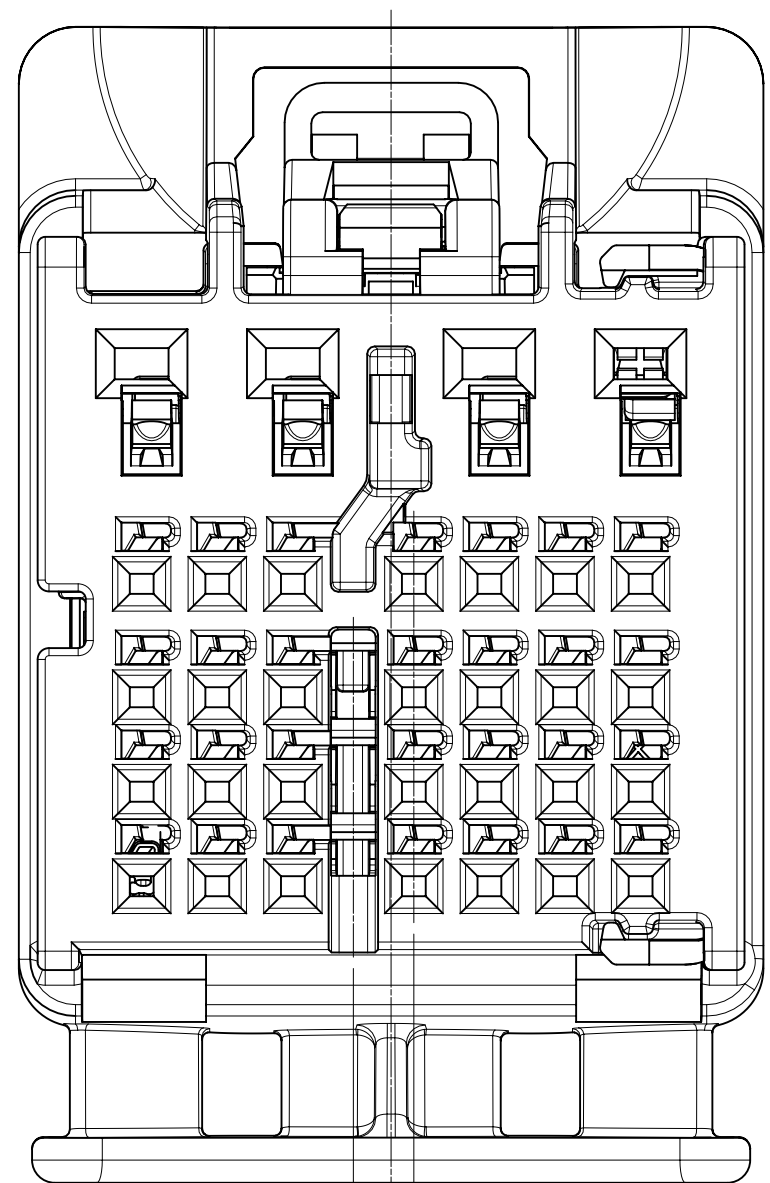
MOLEX ASSEMBLY PART NO.'S	
1600280011	KEY 1
1600280012	KEY 2
1600280013	KEY 3
1600280014	KEY 4
1600280015	KEY 5
1600280016	KEY 6
1600280017	KEY 7
1600280018	KEY 8



SCALE 2:1

RIB OPTION A

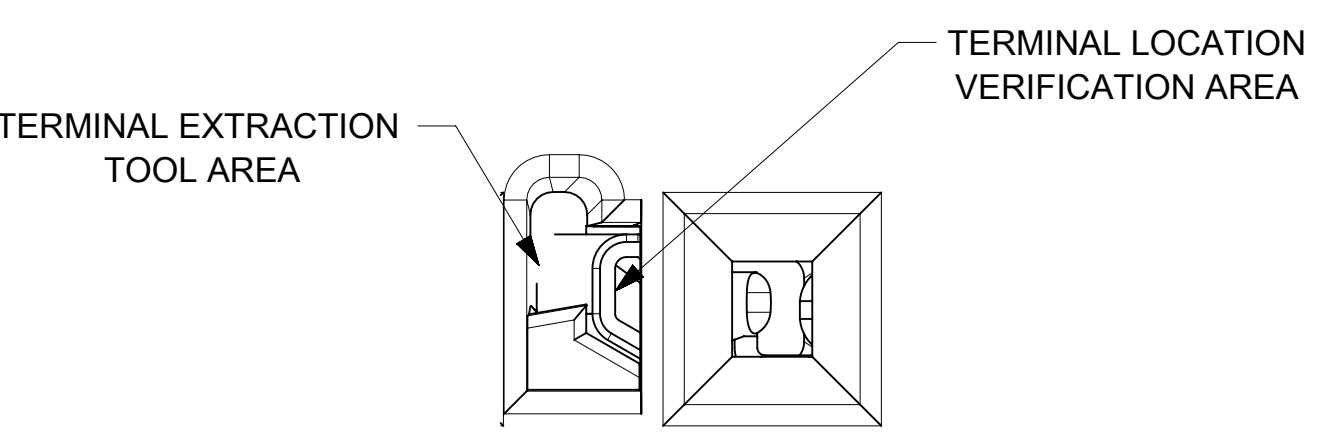
RIB OPTION B



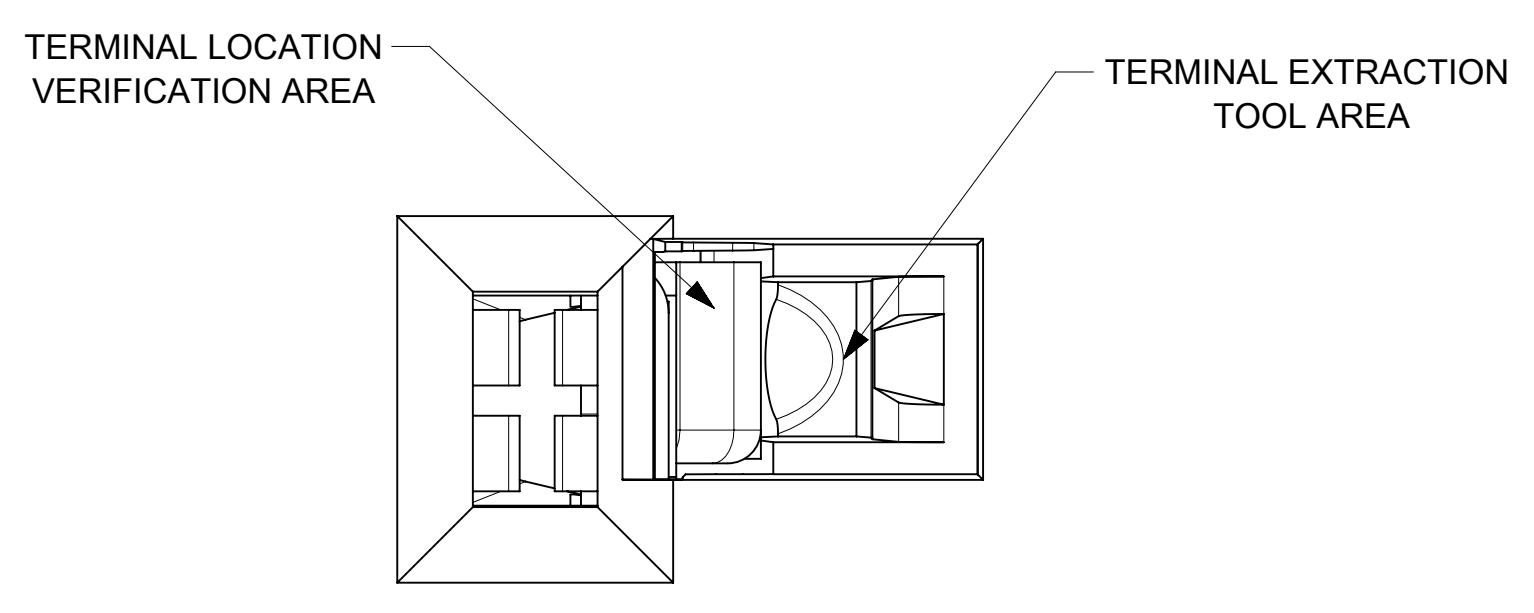
INSPECTION BALLOON NUMBER LOG	
PER DRAWING REVISION :	A5
LAST BALLOON NUMBER:	2
ADDED BALLOON NUMBER:	NONE
DELETED BALLOON NUMBER:	NONE

REVISION	DESCRIPTION
A5	UPDATED TAK50 TERMINAL PNS 21-July-2021 YPENG47 ECN 648438
A4	UPDATED DELPHI 1.2 TERMINAL PNS 13-Apr-2020 YPENG47 ECN 635661

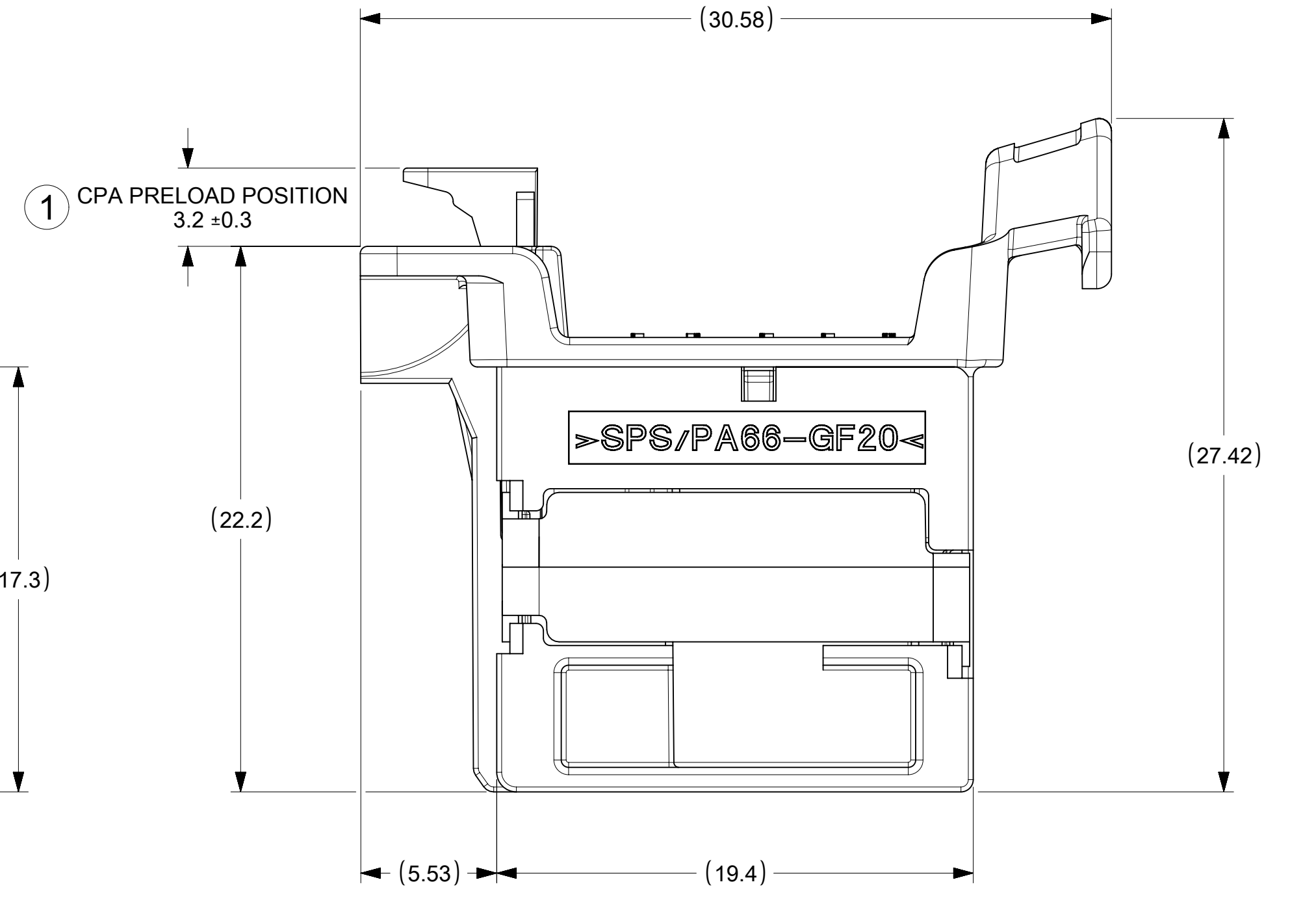
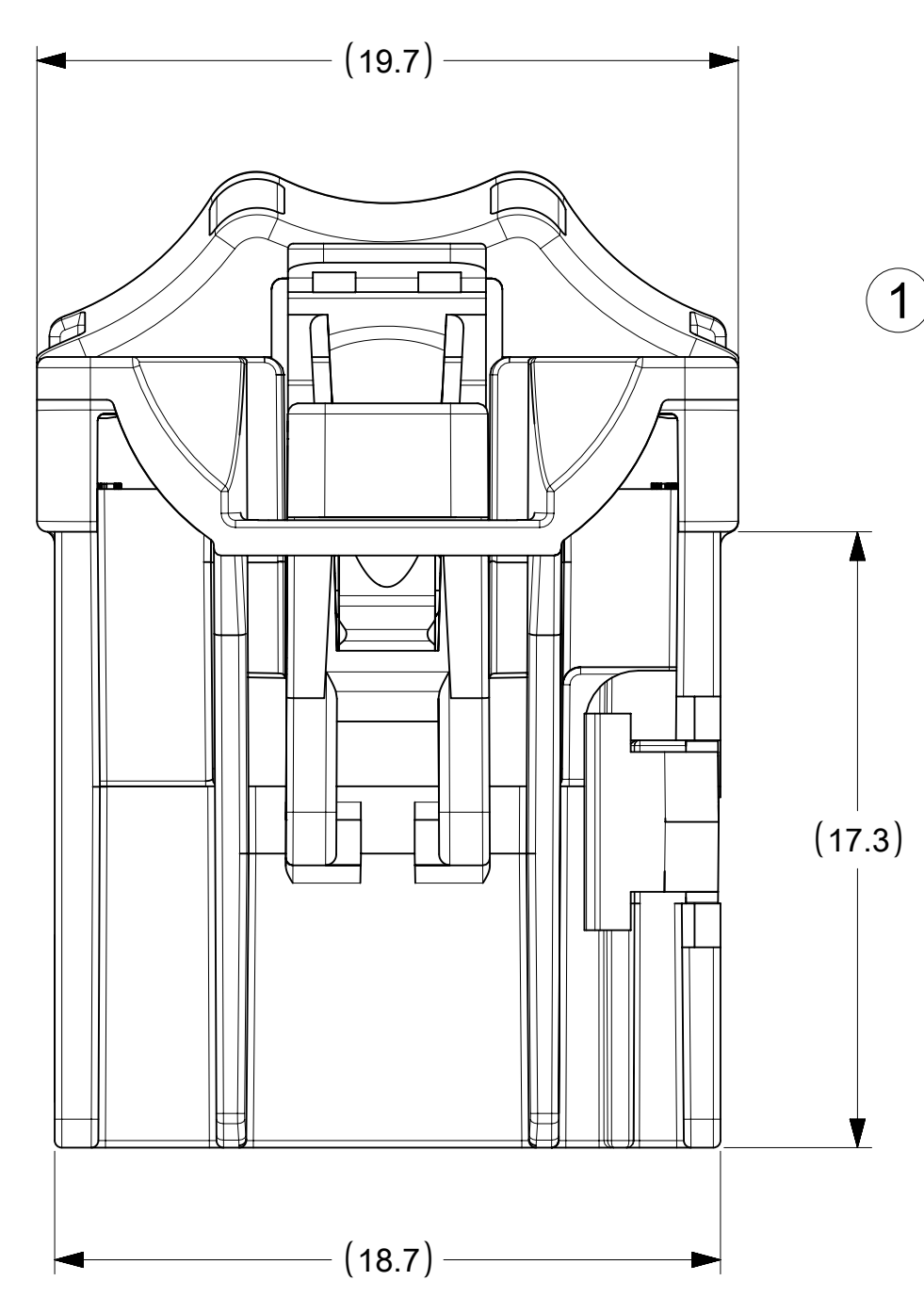
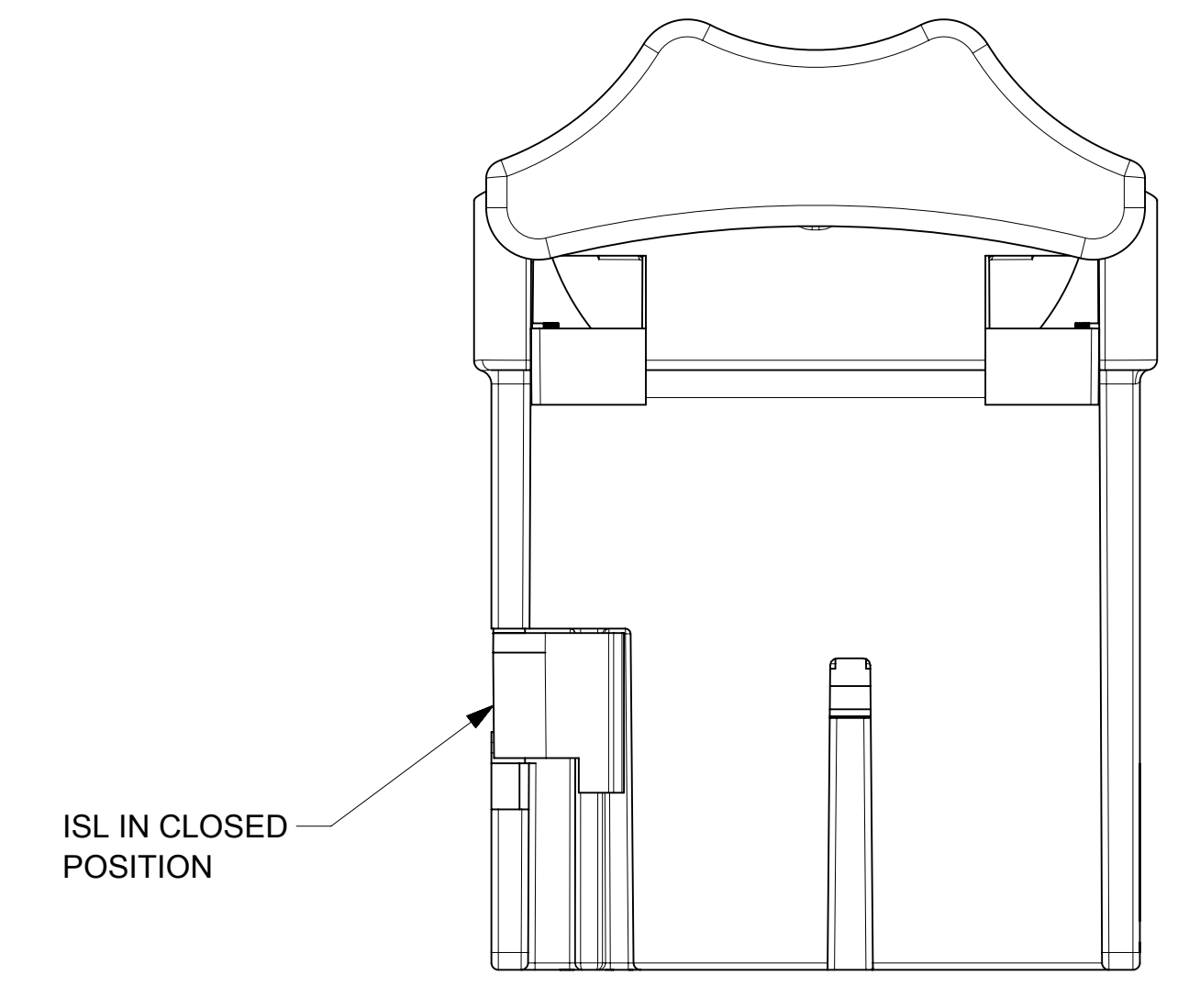
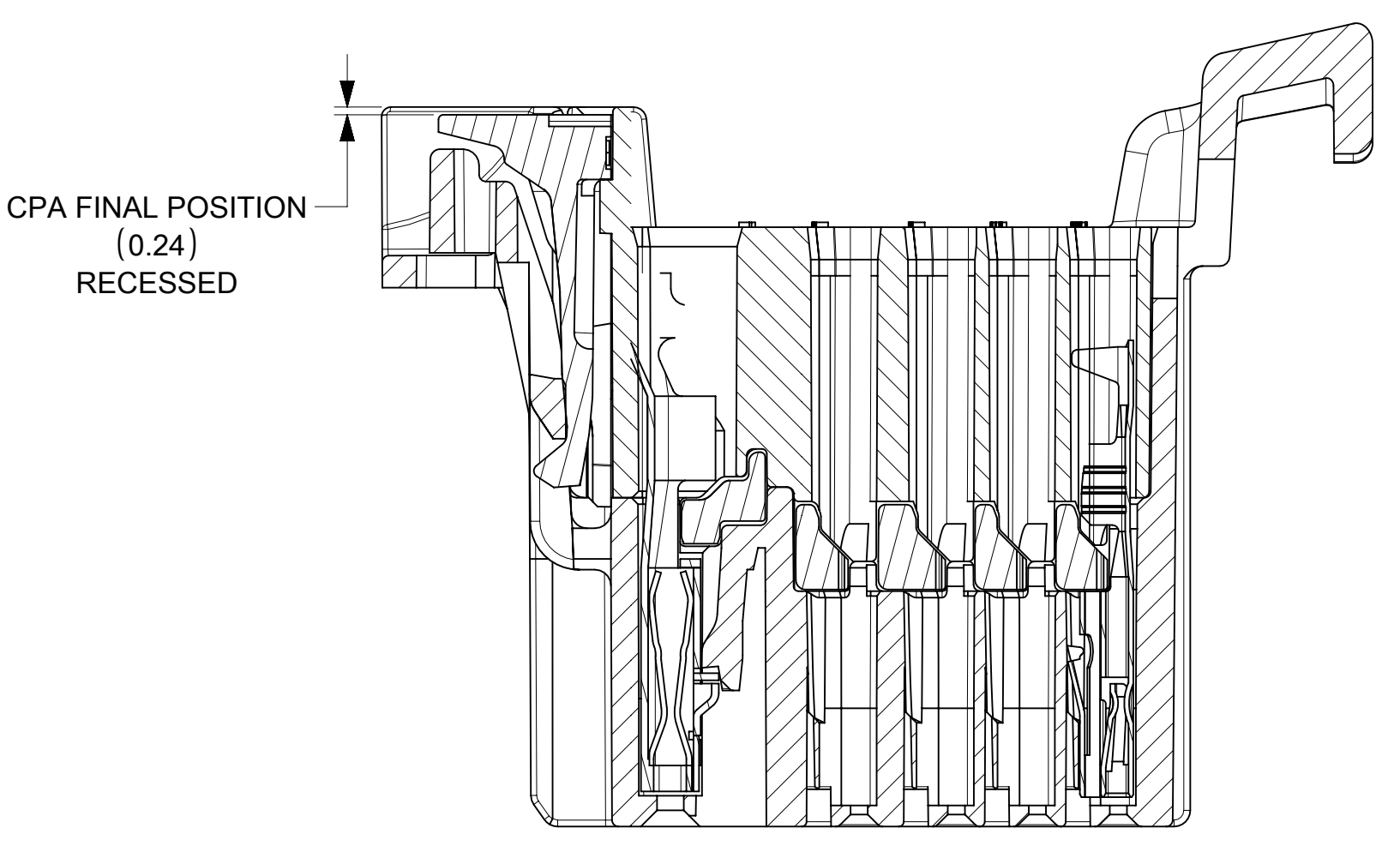
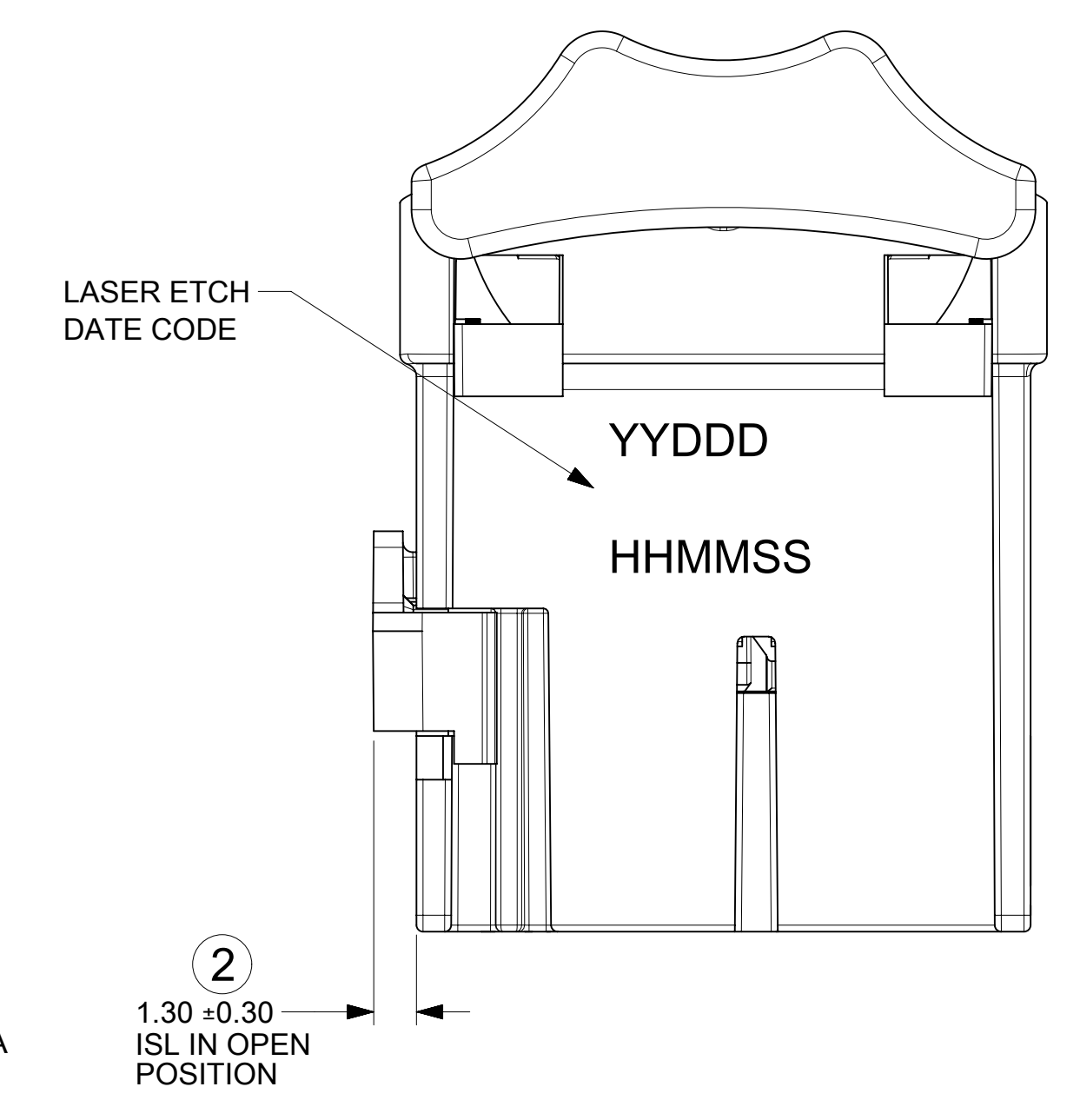
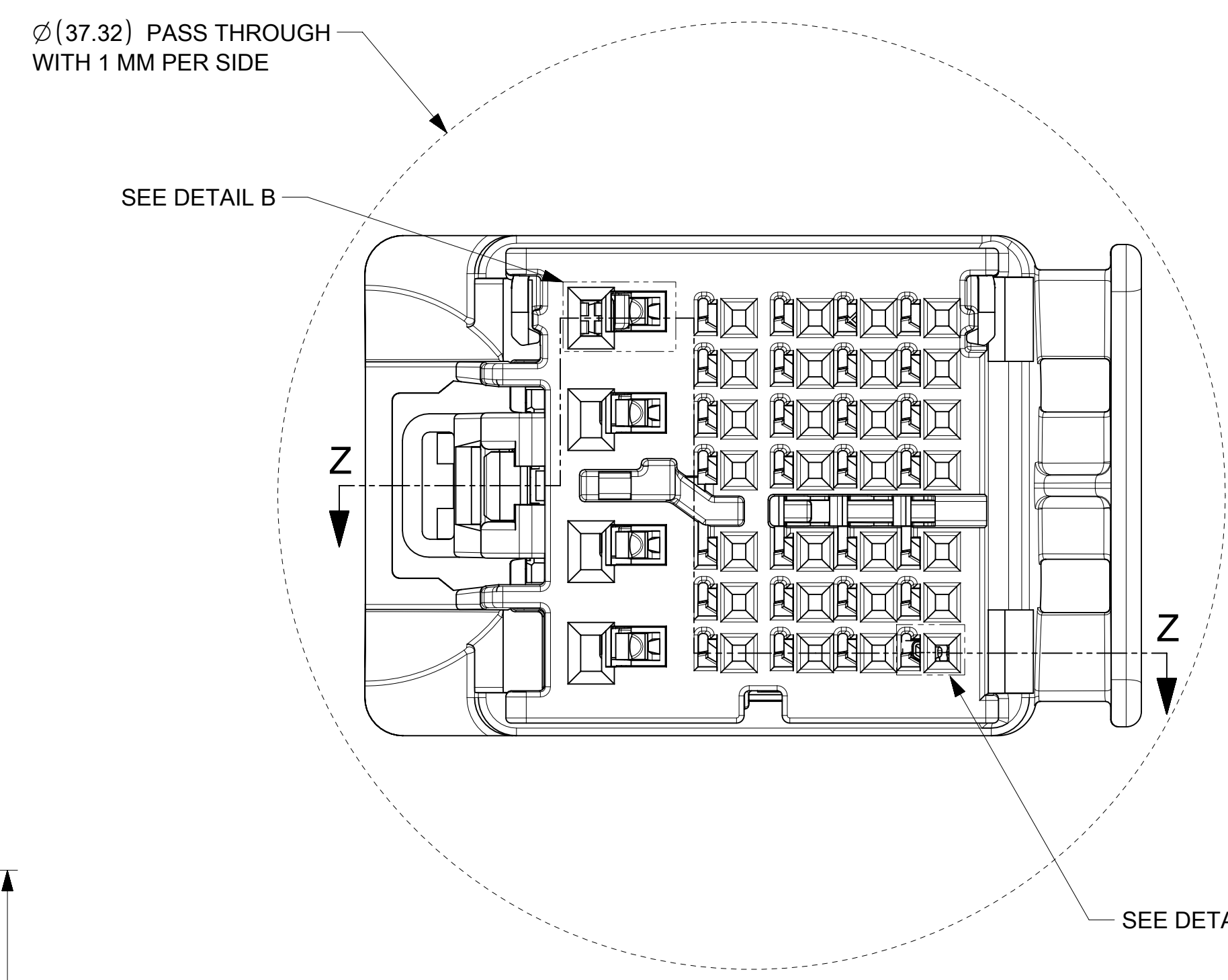
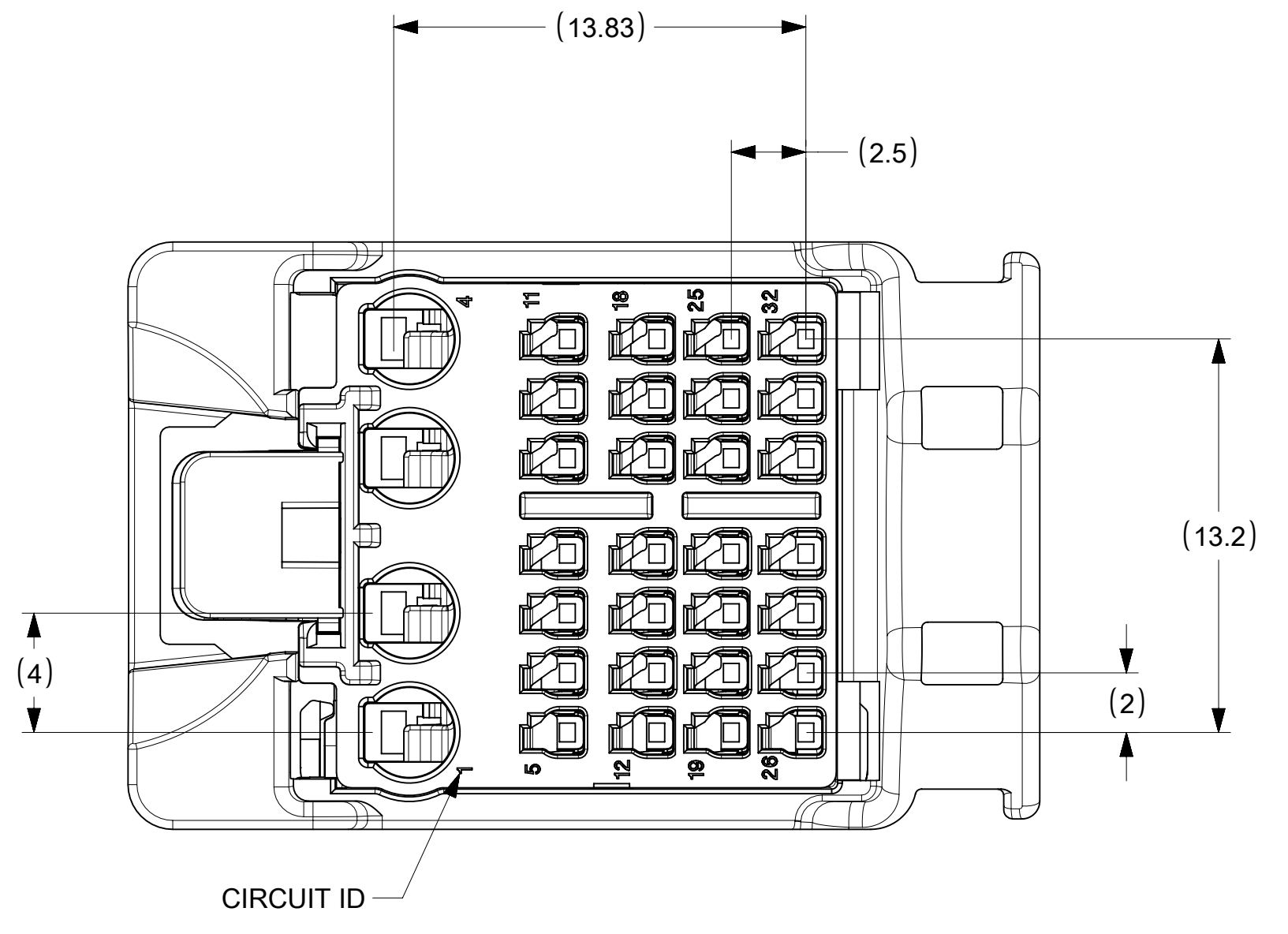
SYMBOLS	THIS DRAWING CONTAINS INFORMATION THAT IS PROPRIETARY TO MOLEX ELECTRONIC TECHNOLOGIES, LLC AND SHOULD NOT BE USED WITHOUT WRITTEN PERMISSION	SCALE		CURRENT REV DESC: UPDATED TAK50			
	DIMENSION UNITS	mm	5:1	TERMINAL PNS			
▽ = 0	GENERAL TOLERANCES (UNLESS SPECIFIED)	EC NO: 648438		DRWN: YPENG47		2021/07/21	
▽ = 0	ANGULAR TOL ± 3.0°	CHK'D: RCARLSON		APPR: JCONDON		2021/08/02	
▽ = 0	4 PLACES ±	INITIAL REVISION:		DRWN: RCARLSON		2019/02/15	
▽ = 0	3 PLACES ±	DRWN: RCARLSON		APPR: JCONDON		2019/02/25	
▽ = 0	2 PLACES ± 0.3	DRAFT WHERE APPLICABLE MUST REMAIN WITHIN DIMENSIONS		THIRD ANGLE PROJECTION		DRAWING SERIES	
▽ = 0	1 PLACE ± 0.3	D-DRAWING		D-SIZE		160028	
▽ = 0	0 PLACES ± 0.3	MATERIAL NUMBER		CUSTOMER		SHEET NUMBER	
■ = 0		1600280011		GENERAL MARKET		1 OF 2	



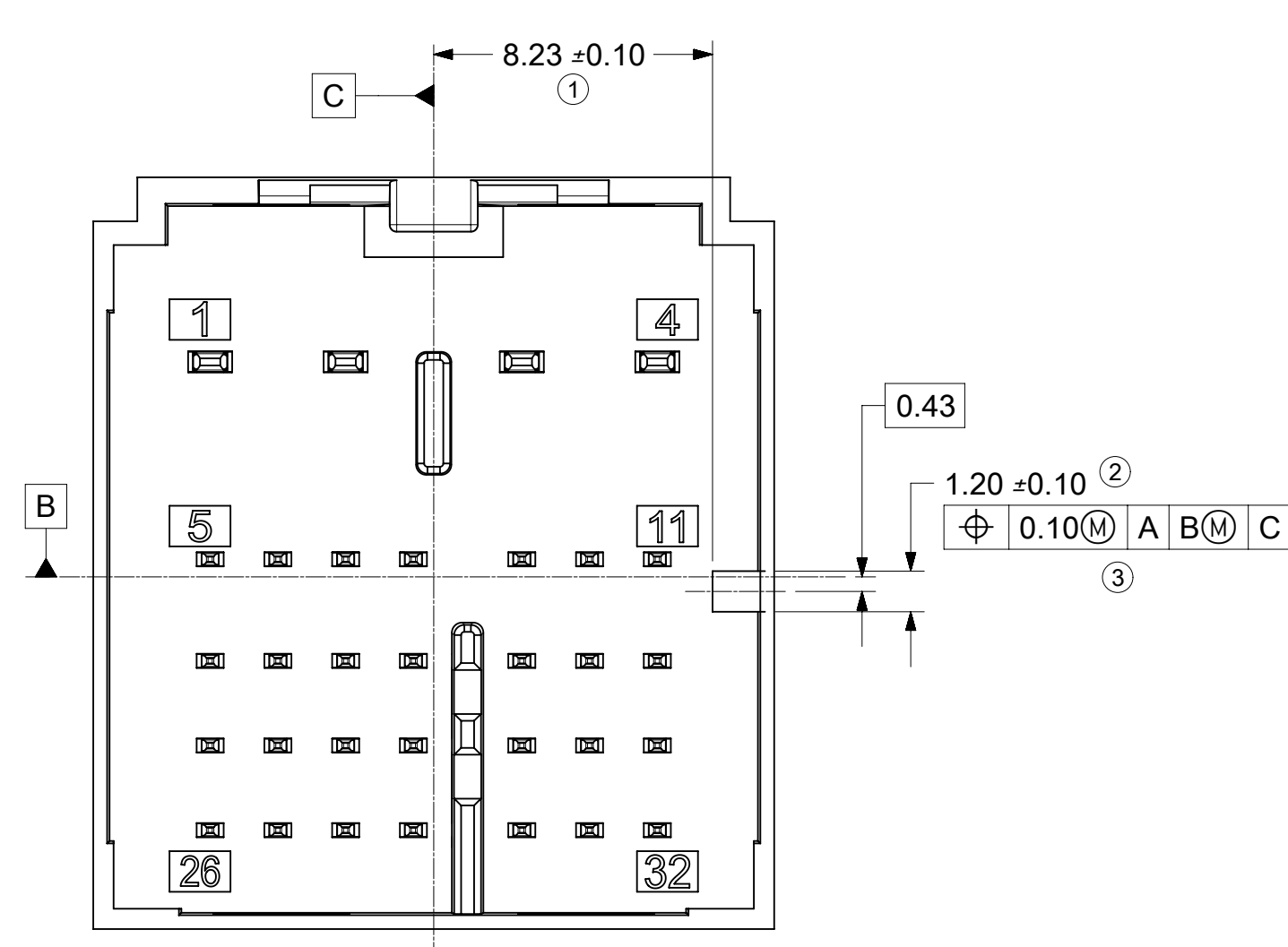
DETAIL A  
SCALE 20:1



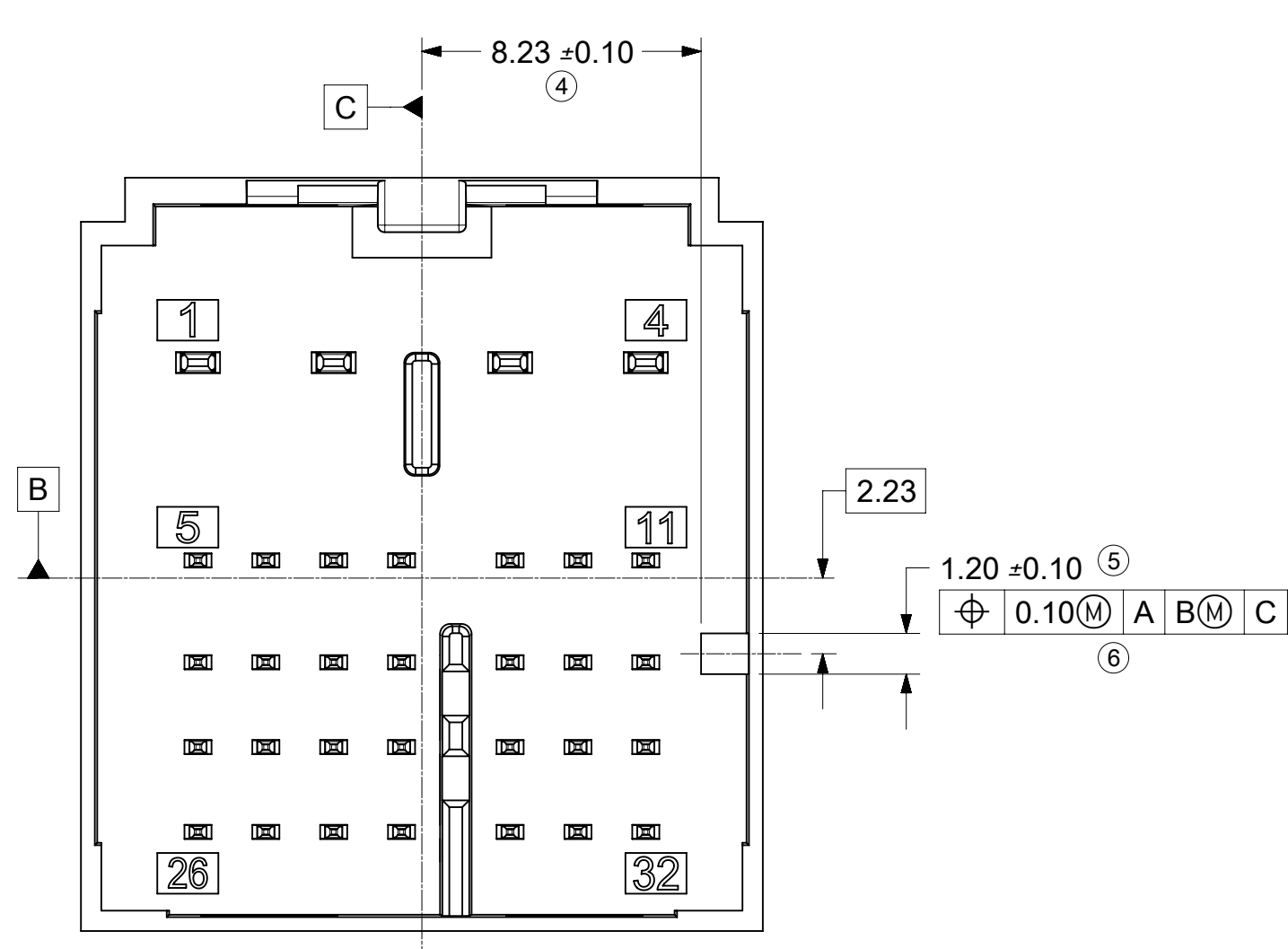
DETAIL B  
SCALE 20:1



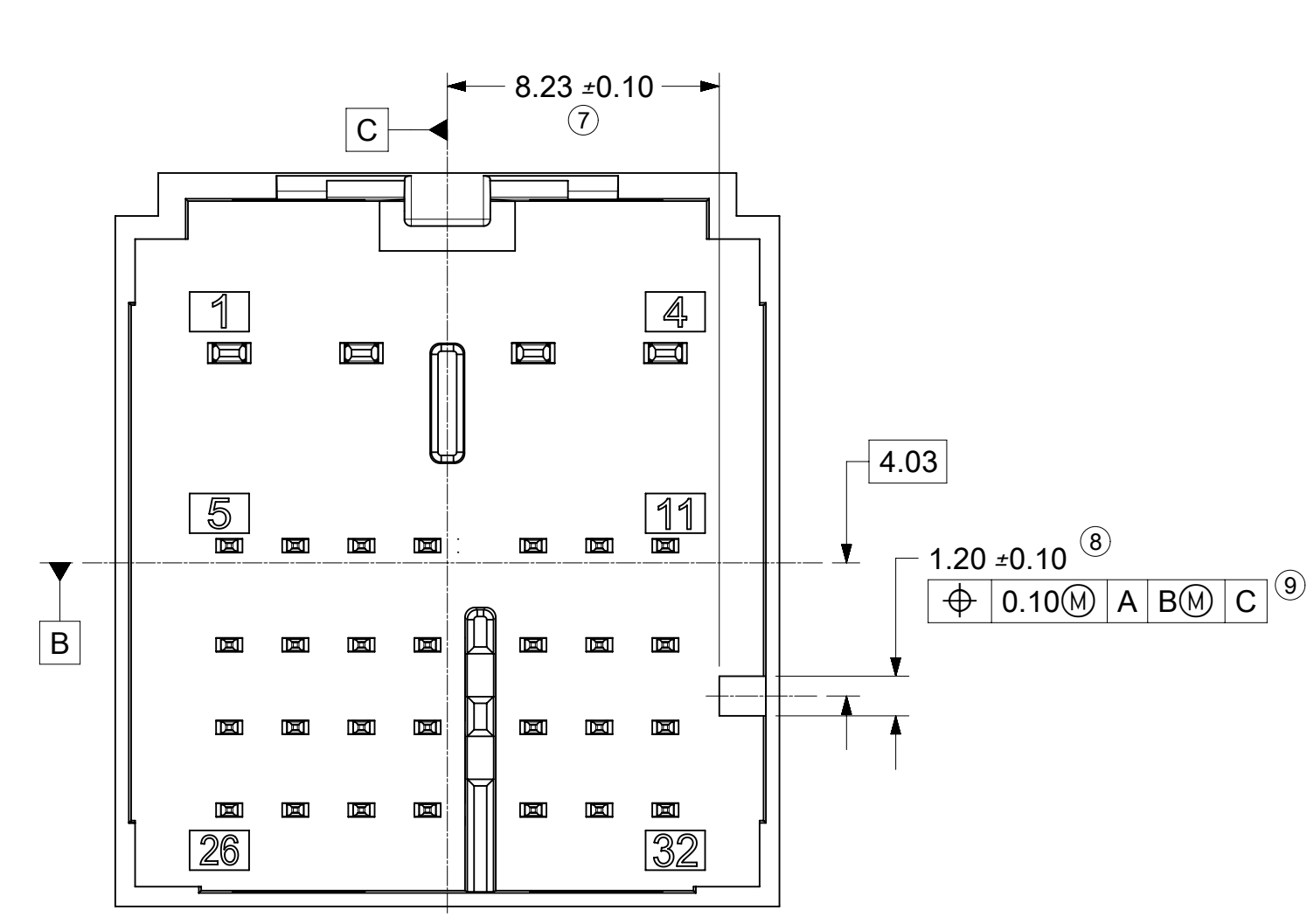
SYMBOLS	THIS DRAWING CONTAINS INFORMATION THAT IS PROPRIETARY TO MOLEX ELECTRONIC TECHNOLOGIES, LLC AND SHOULD NOT BE USED WITHOUT WRITTEN PERMISSION		CURRENT REV DESC: UPDATED TAK50		
	DIMENSION UNITS	SCALE	TERMINAL PNS		
▽ = 0	mm	5:1	EC NO: 648438		32WAY STAK50H HYBRID ASSEMBLY CONNECTOR ASSEMBLY
▽ = 0	GENERAL TOLERANCES (UNLESS SPECIFIED)		DRWN: YPENG47 2021/07/21		
▽ = 0	ANGULAR TOL ± 3.0°		CHK'D: RCARLSON 2021/07/29		
▽ = 0	4 PLACES ±		APPR: JCONDON 2021/08/02		
▽ = 0	3 PLACES ±		INITIAL REVISION:		
▽ = 0	2 PLACES ± 0.3		DRWN: RCARLSON 2019/02/15		
▽ = 0	1 PLACE ± 0.3		APPR: JCONDON 2019/02/25		
▽ = 0	0 PLACES ± 0.3		DRAFT WHERE APPLICABLE MUST REMAIN WITHIN DIMENSIONS		
■ = 0	THIRD ANGLE PROJECTION		DRAWING	SERIES	DOCUMENT NUMBER
▽ = 0	D-DRAWING		D-SIZE	160028	1600280011
			MATERIAL NUMBER	CUSTOMER	DOC TYPE DOC PART REVISION
			SEE SHEET 1	GENERAL MARKET	PSD 000 A5
			SHEET NUMBER		2 OF 2



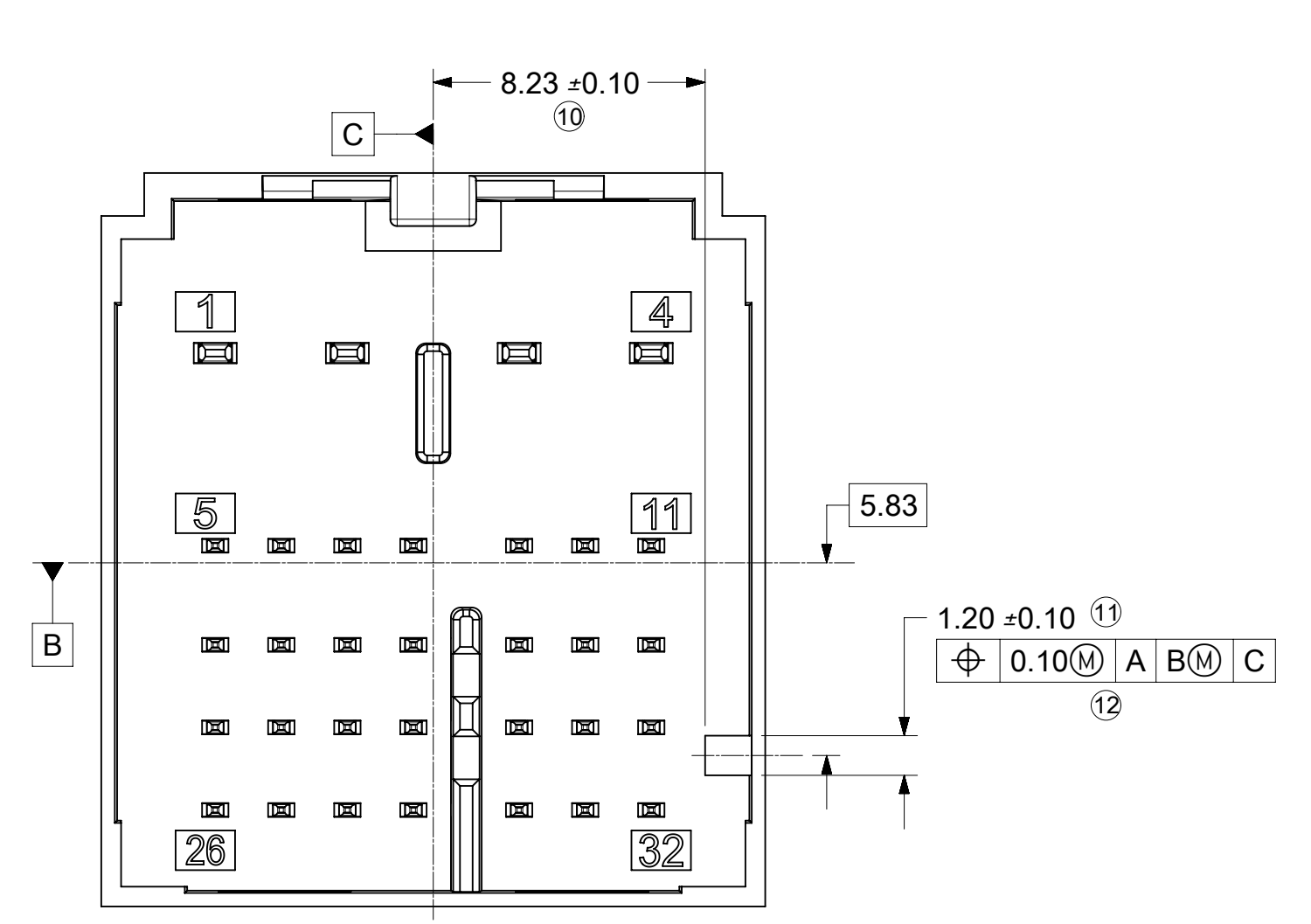
INTERFACE KEY 1 & KEY 5



INTERFACE KEY 2 & KEY 6



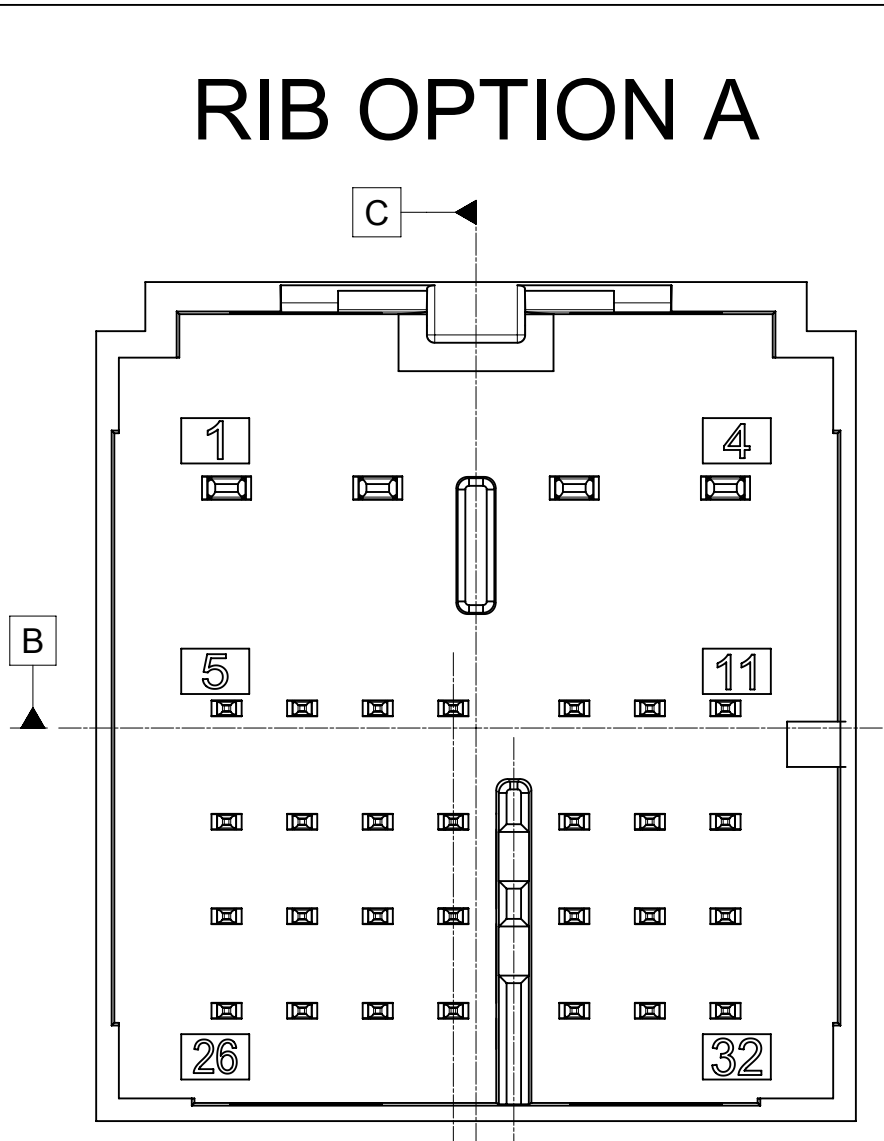
INTERFACE KEY 3 & KEY 7



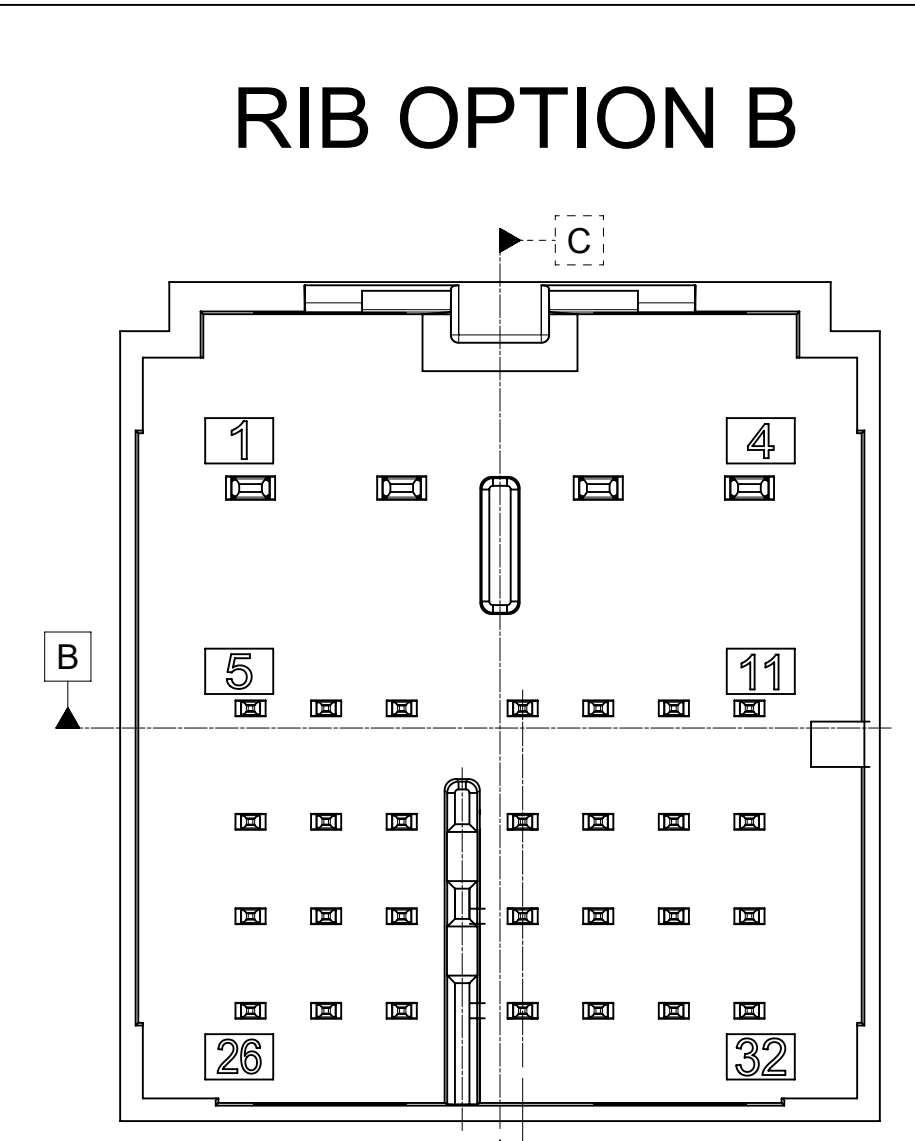
INTERFACE KEY 4 & KEY 8

INTERFACE OPTIONS		
KEY	RIB OPTION	MATING CONNECTOR COLOR
1	OPTION A	BLACK
2	OPTION A	BLUE
3	OPTION A	DARK GRAY
4	OPTION A	PURPLE C
5	OPTION B	PINK B
6	OPTION B	TBD
7	OPTION B	LIGHT BROWN
8	OPTION B	TBD

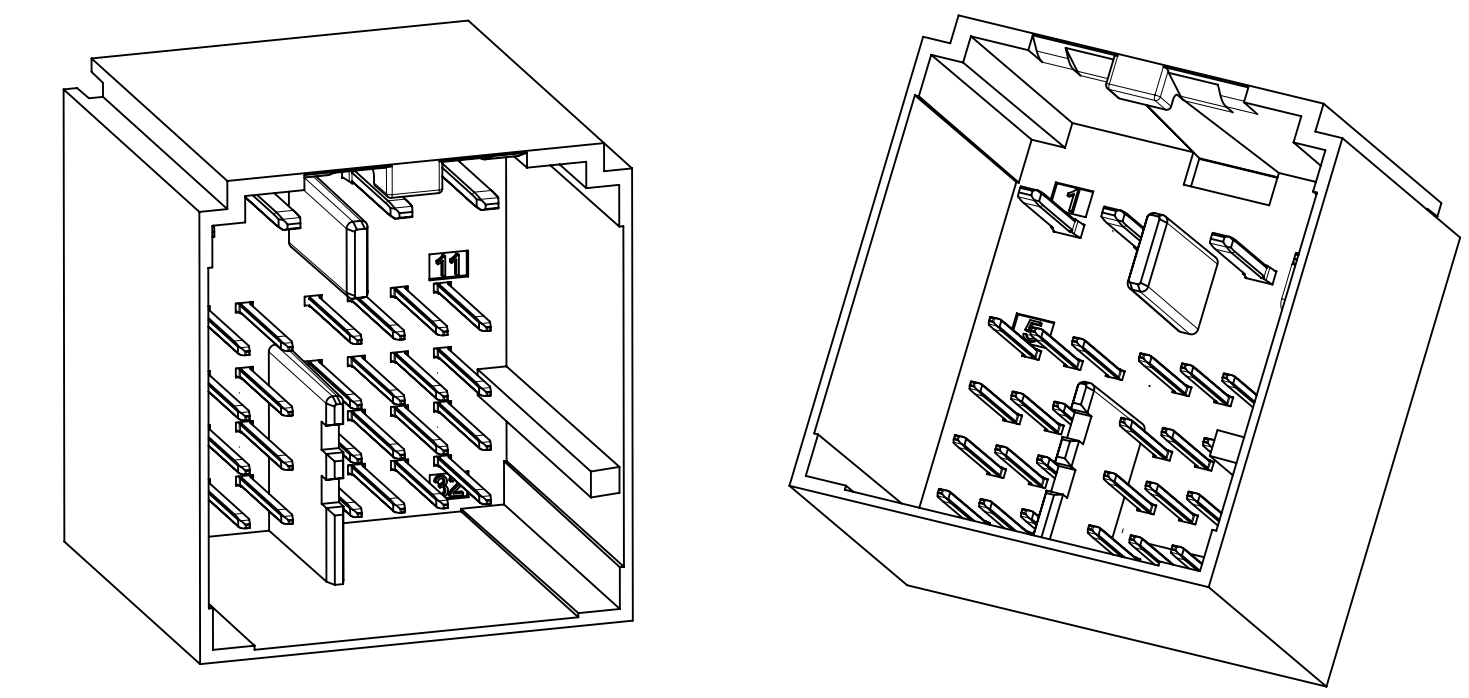
- NOTES: VALID UNLESS OTHERWISE SPECIFIED
- DESIGN - MATERIALS:
    - RESIN MATERIAL: PBT+GF30 OR SPS+GF30 OR EQUIVALENT
    - PIN/BLADE MATERIAL: ACCORDING TO USCAR DRAWING EWCAP-001 NOTE B2.
    - PLATING: ACCORDING TO USCAR DRAWING EWCAP-001 TIN REFLOW WITH UNDERPLATE.
    - PIN TIPS ACCORDING TO USCAR DRAWING EWCAP-001 (120-T002 & 050-T001)
    - DEVIATION TO EWCAP-001 ACCEPTABLE IF PERFORMANCE (ELECTRICAL/MECHANICAL) IS SHOWN TO BE EQUAL OR BETTER AS REQUIRED BY VALIDATION TESTING.
  - DESIGN - GEOMETRY:
    - ALL GRAPHIC DATA IS BASIC (NO TOLERANCE) AND MUST BE TAKEN FROM THE DATA FILE AT ITS LATEST REVISION.
    - GEOMETRIC DIMENSIONS AND TOLERANCES PER ASME Y14.5M-2009
    - GENERAL TOLERANCES:
      - LINEAR: PER DIN 16901 LINEAR CODE B FOR PRECISION ENGINEERING
      - ANGULAR: ±3°
    - EDGES AND UNDIMENSIONED DETAILS PER ISO13715
    - CORNERS SHOWN AS SHARP TO BE R 0.2 MAX.
    - LETTERING SHALL BE 0.15 MAX RAISED IN 0.25 MAX RECESS PAD. THIS INCLUDES RECYCLING CODE, CAVITY ID, VENDOR IDENTIFICATION, AND CUSTOMER MATERIAL NUMBER. (for small parts: LETTERING SHALL BE 0.10 MAX RAISED IN 0.15 MAX RECESS PAD)
  - DESIGN - MANUFACTURING:
    - DRAFT TO BE WITHIN TOLERANCE.



RIB OPTION A



RIB OPTION B



REV	DESCRIPTION
B1	ADDED BALLOONS JCONDON 08/02/2018
B	REMOVED 0.2MM FROM CONNECTOR LOCK TAB FEATURE
A1	ADDED NOTE 1.E JCONDON 11/13/2017
A	NX-REMASTERING SAP # 10867412
7	UAU2016-1182 SAP # 10762453 JCONDON 02/08/2016
6	UAU2015-1446 SAP # 10681629 JCONDON 03/25/2015
5	UAU2015-1212 SAP # 10674908 JCONDON 02/06/2015
4	UAU2015-0982 SAP # 10670199 JCONDON 12/22/2014
3	UAU2014-1679 SAP # XXXXXXXX KDEKOSKI 05/02/2014
2	UAU2014-1221 SAP # XXXXXXXX MYOUNG01 02/06/2014
1	UAU2014-0715 SAP # XXXXXXXX MYOUNG01 01/02/2014

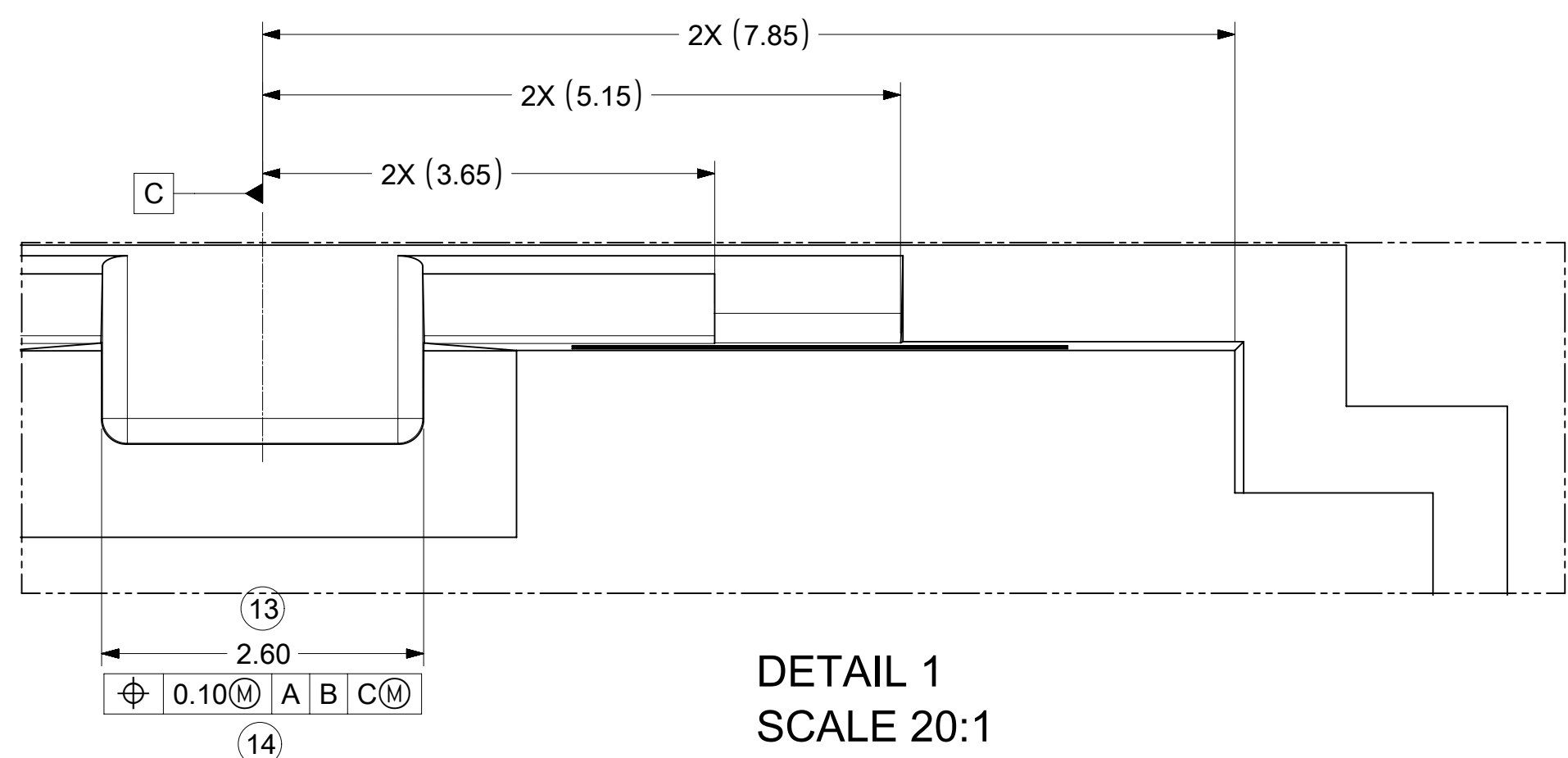
SYMBOLS		THIS DRAWING CONTAINS INFORMATION THAT IS PROPRIETARY TO MOLEX ELECTRONIC TECHNOLOGIES, LLC AND SHOULD NOT BE USED WITHOUT WRITTEN PERMISSION	
▽ = 0	mm	SCALE	5:1
▽ = 0	GENERAL TOLERANCES (UNLESS SPECIFIED)		CURRENT REV DESC: ADDED DIMENSION
▽ = 0	ANGULAR TOL ± °		BALLOONS
▽ = 0	4 PLACES ±	EC NO: 602204	DRWN: JCONDON 2018/08/02
▽ = 0	3 PLACES ±	CHK'D: JCONDON 2018/08/03	
▽ = 0	2 PLACES ±	APPR: MVANSLAMBROU 2018/08/03	INITIAL REVISION:
▽ = 0	1 PLACES ±	DRWN: MYOUNG01 2013/11/14	2014/01/02
▽ = 0	0 PLACES ±	APPR: KDEKOSKI	
▽ = 0	DRAFT WHERE APPLICABLE MUST REMAIN WITHIN DIMENSIONS	THIRD ANGLE PROJECTION	DRAWING SERIES
▽ = 0		D-SIZE	160028
DOCUMENT STATUS		P1	RELEASE DATE
2018/08/03		19:41:34	

32WAY STAK50H  
INTERFACE DRAWING

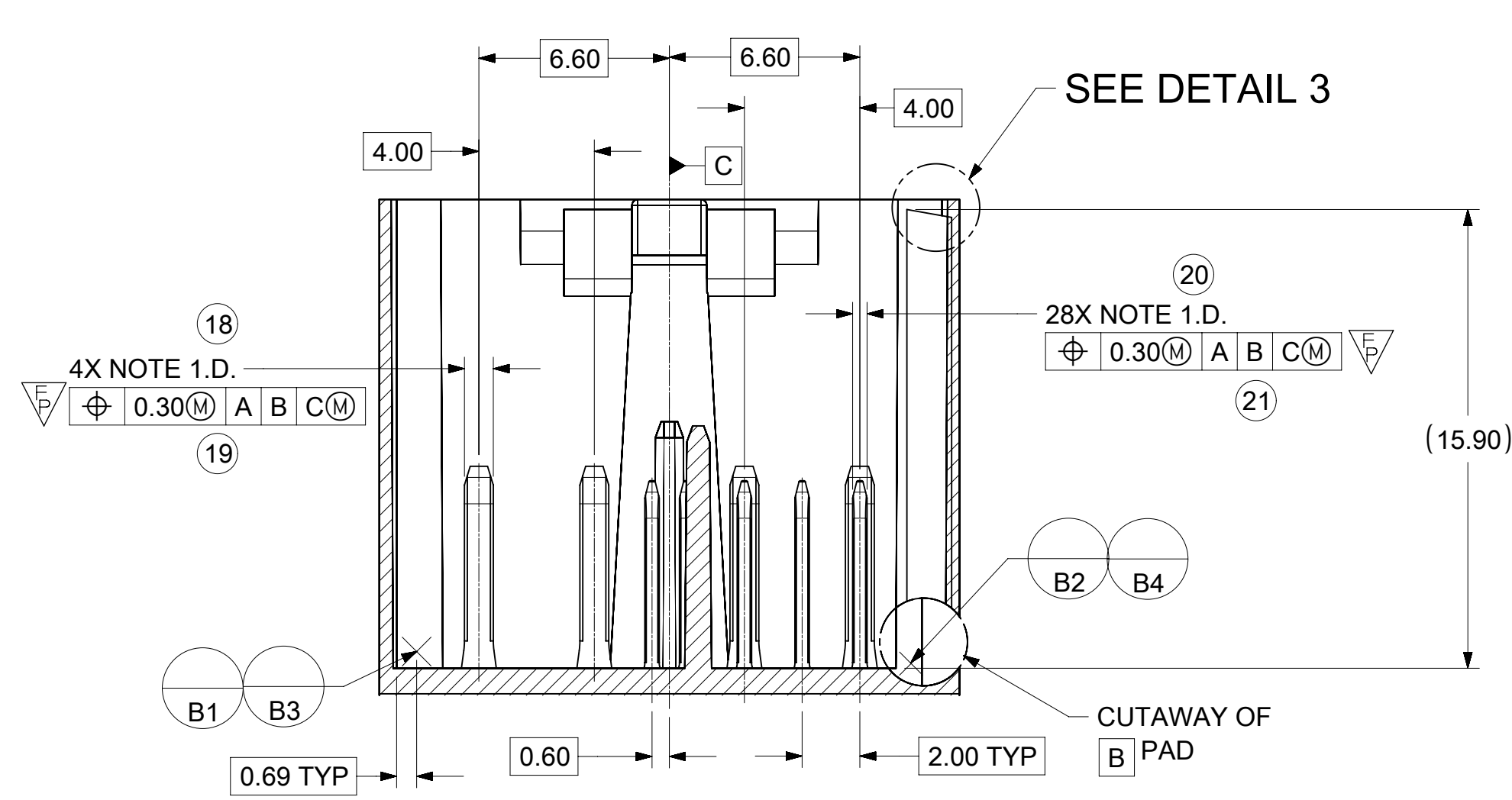
PRODUCT CUSTOMER DRAWING

DOCUMENT NUMBER: SD-160028-002    DOC TYPE: PSD    DOC PART: 001    REVISION: B1

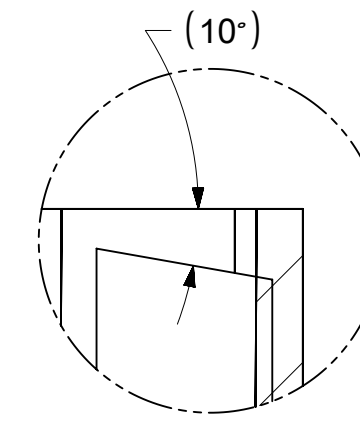
MATERIAL NUMBER: GENERAL MARKET    CUSTOMER:    SHEET NUMBER: 1 OF 3



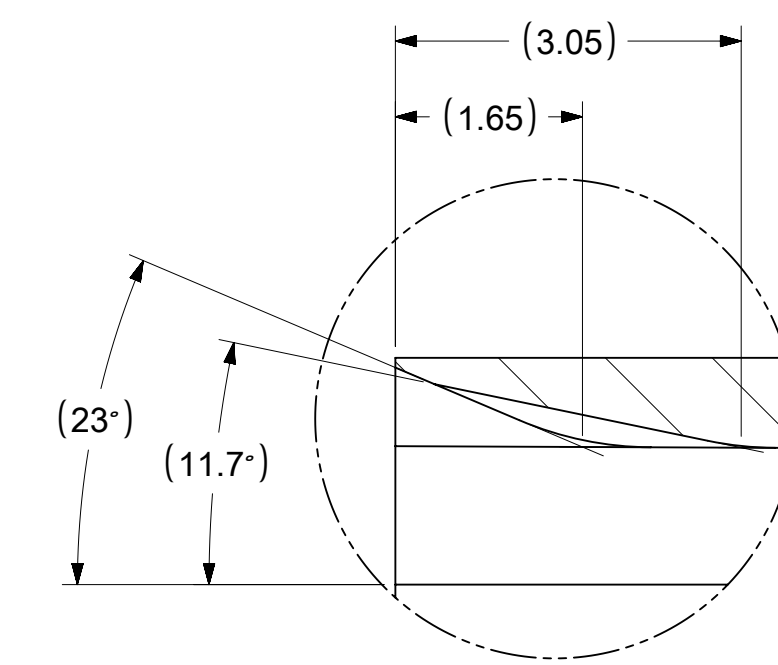
DETAIL 1  
SCALE 20:1



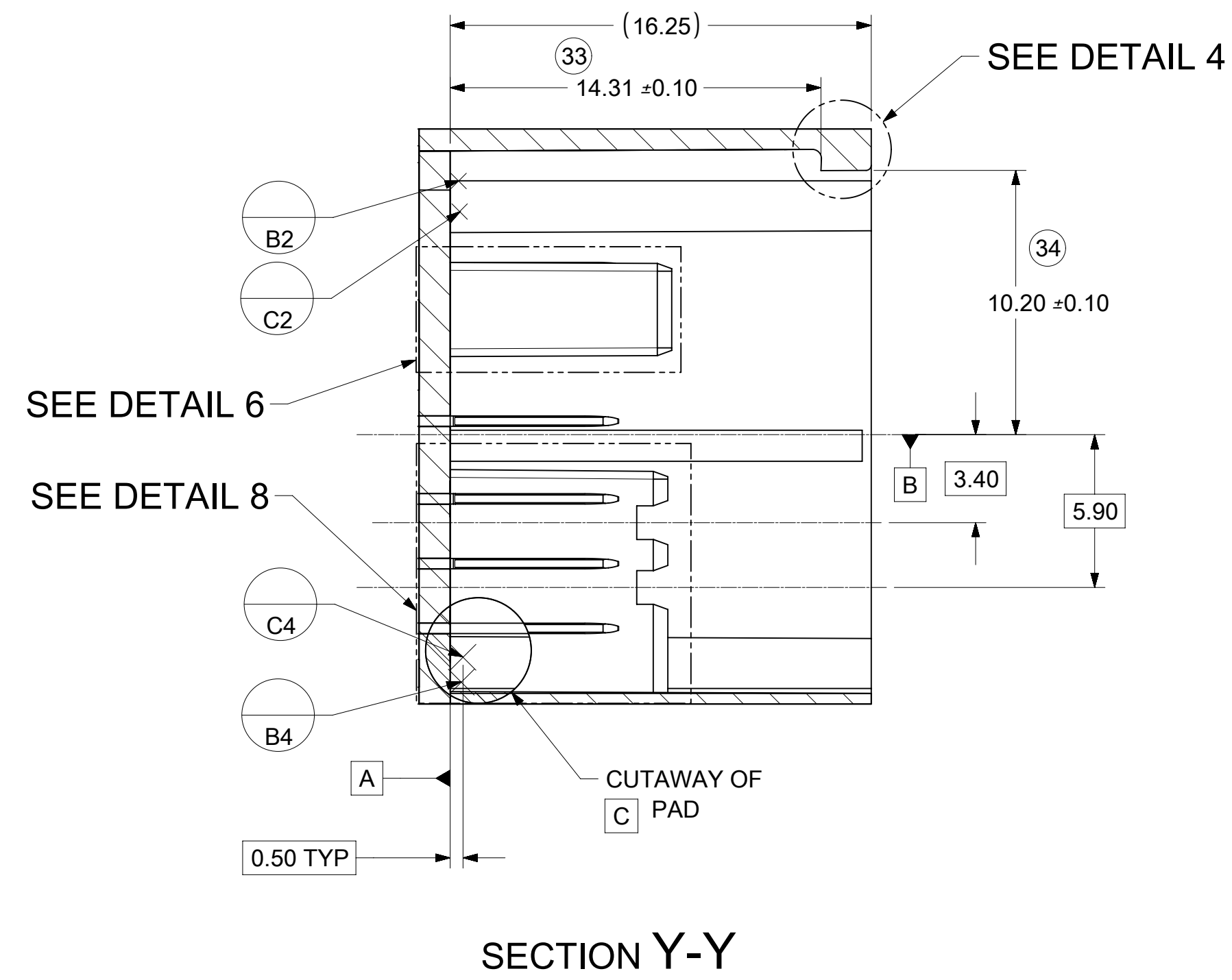
SECTION X-X



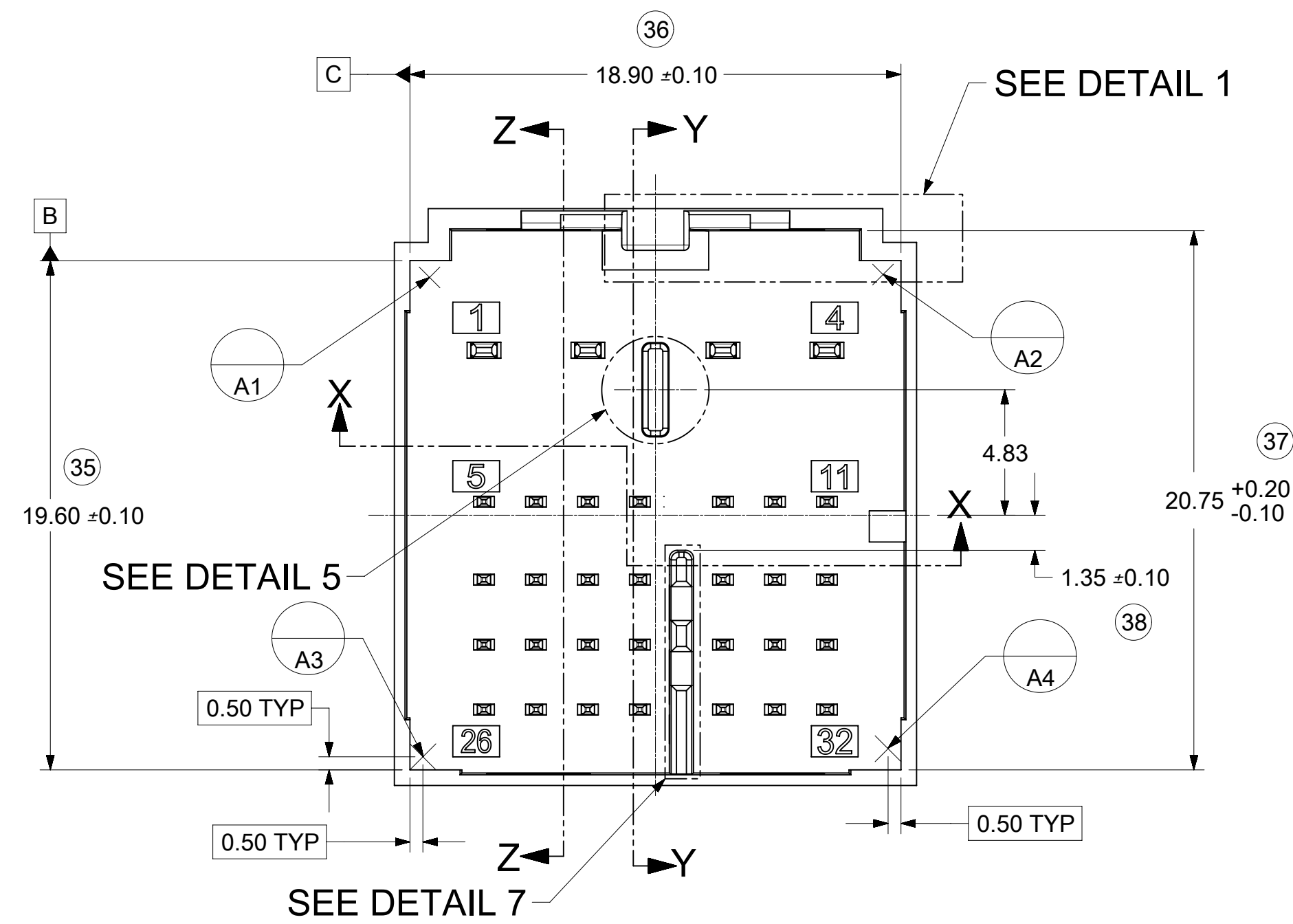
DETAIL 3  
SCALE 15:1



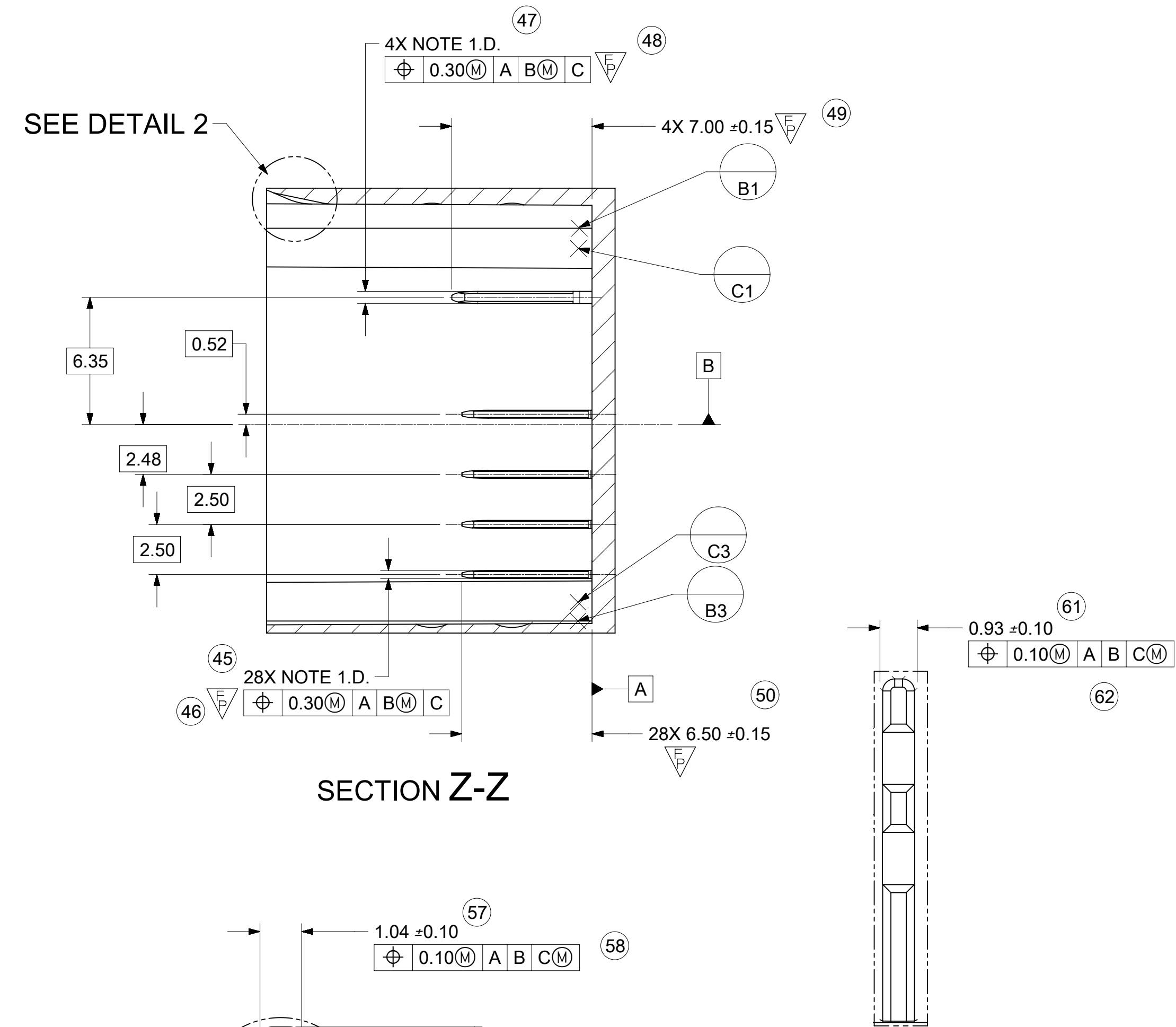
DETAIL 2  
SCALE



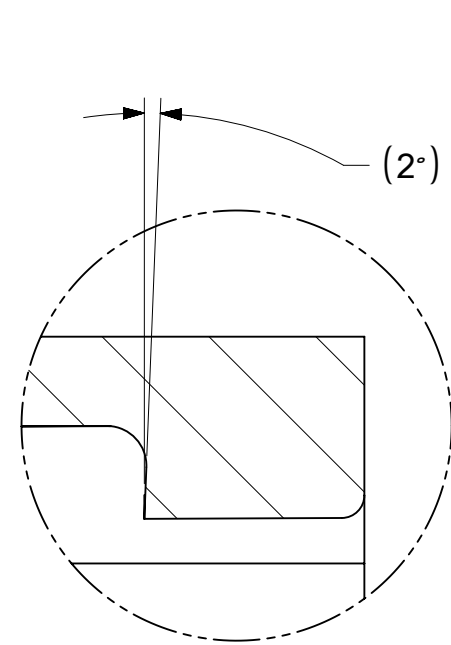
SECTION Y-Y



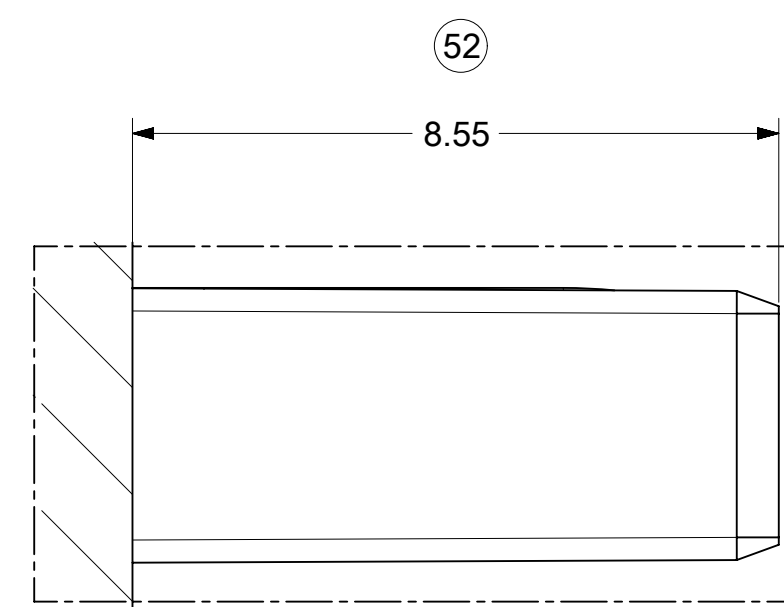
SECTION X-X



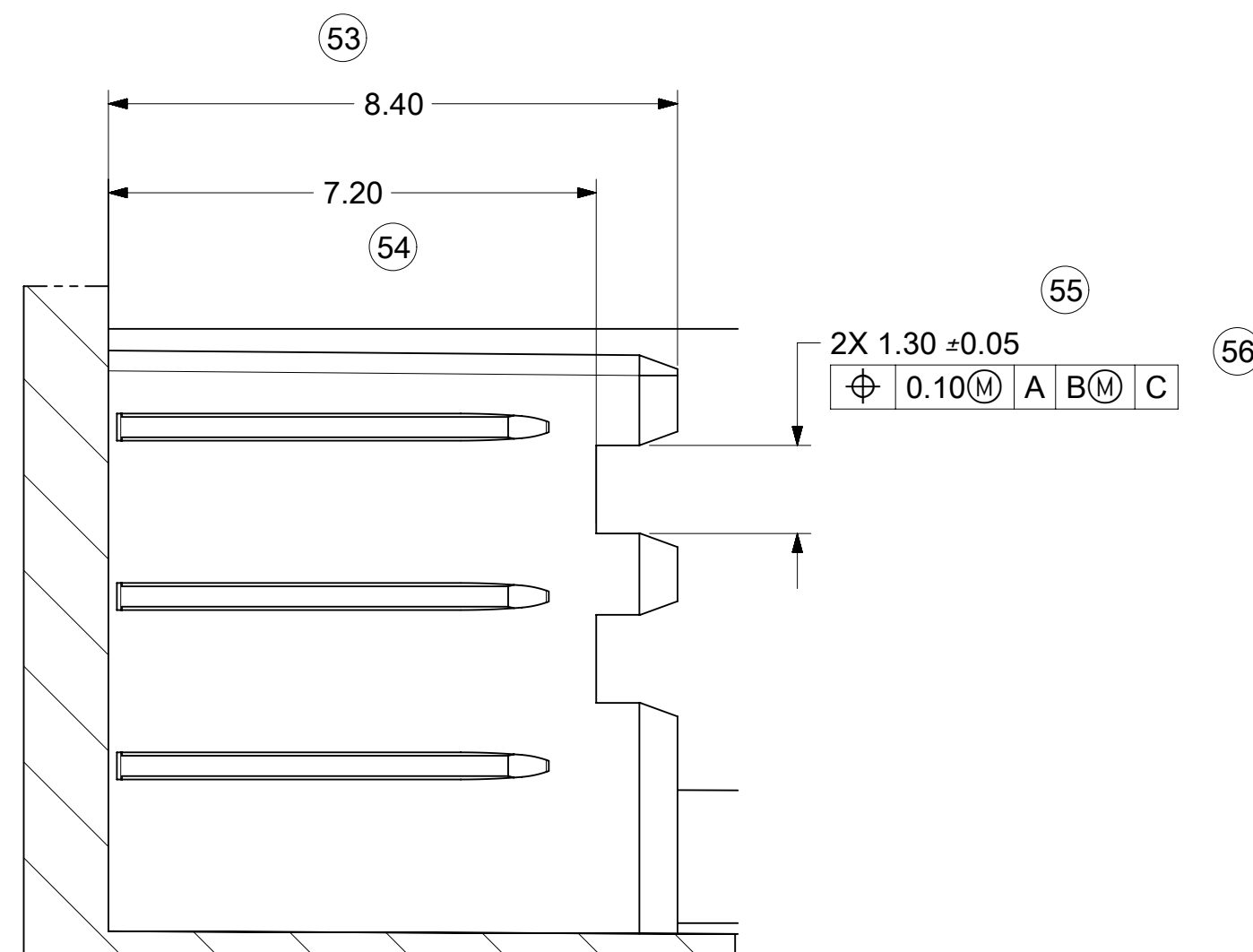
SECTION Z-Z



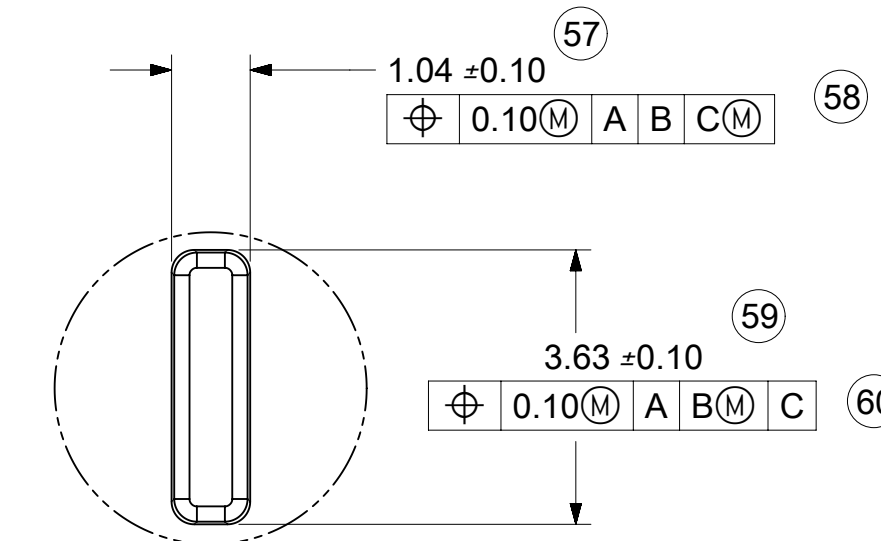
DETAIL 4  
SCALE 15:1



DETAIL 6  
SCALE 10:1



DETAIL 8  
SCALE 10:1



DETAIL 5  
SCALE 10:1

DETAIL 7  
SCALE

SYMBOLS	THIS DRAWING CONTAINS INFORMATION THAT IS PROPRIETARY TO MOLEX ELECTRONIC TECHNOLOGIES, LLC AND SHOULD NOT BE USED WITHOUT WRITTEN PERMISSION	
DIMENSION UNITS	SCALE	CURRENT REV DESC: ADDED DIMENSION BALLOONS
▽ = 0	mm	5:1
▽ = 0	GENERAL TOLERANCES (UNLESS SPECIFIED)	
▽ = 6	ANGULAR TOL ± °	
▽ = 0	4 PLACES ±	
▽ = 0	3 PLACES ±	
▽ = 0	2 PLACES ±	
▽ = 0	1 PLACE ±	
▽ = 0	0 PLACES ±	
■ = 0	DRAFT WHERE APPLICABLE MUST REMAIN WITHIN DIMENSIONS	
▽ = 0	THIRD ANGLE PROJECTION	DRAWING SERIES
▽ = 0	D-SIZE	160028

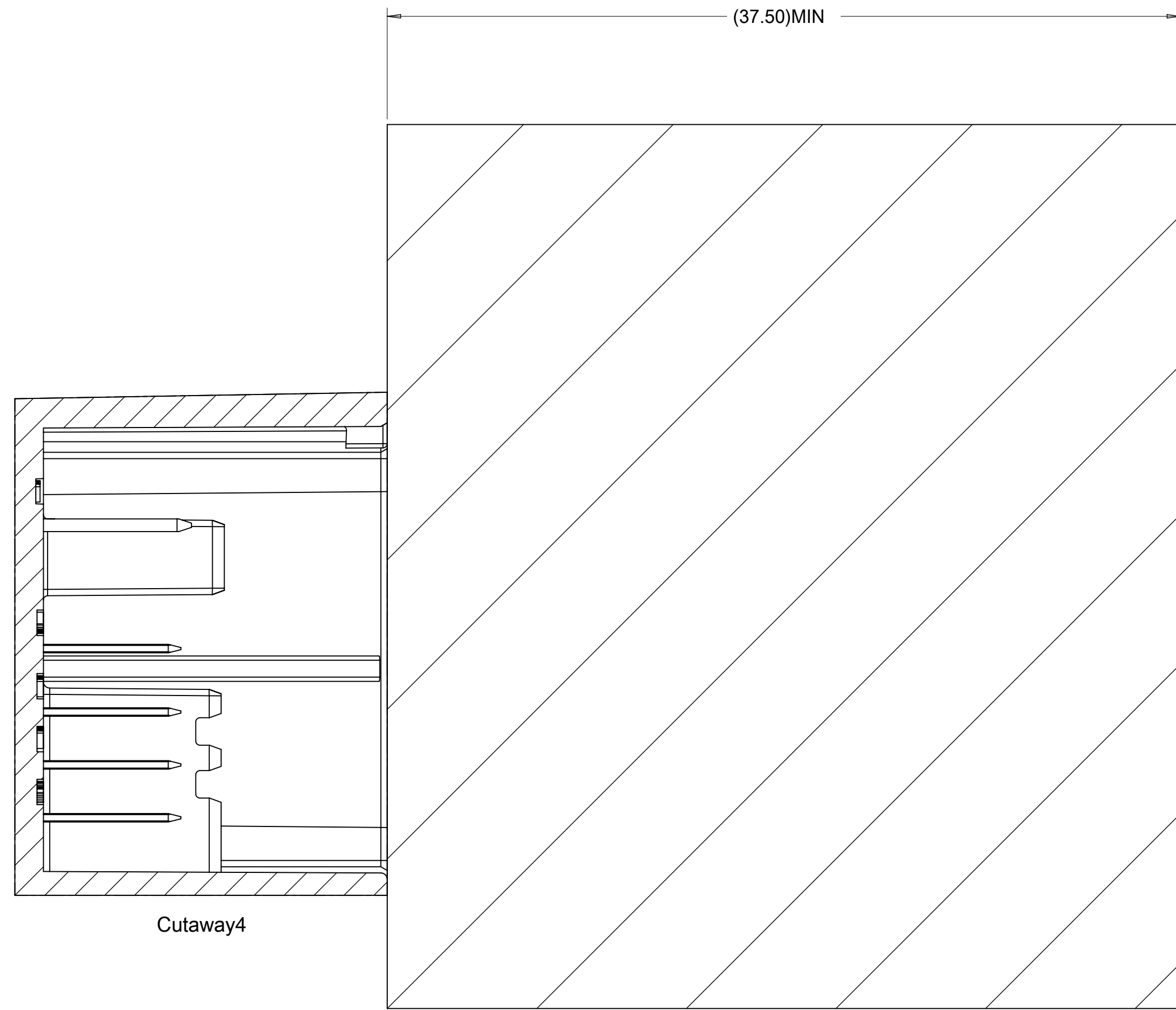
EC NO: 602204		2018/08/02	
DRWN: JCONDON		2018/08/03	
CHK'D: JCONDON		2018/08/03	
APPR: MVANSLAMBROU		2018/08/03	
INITIAL REVISION:			
DRWN: MYOUNG01		2013/11/14	
APPR: KDEKOSKI		2014/01/02	

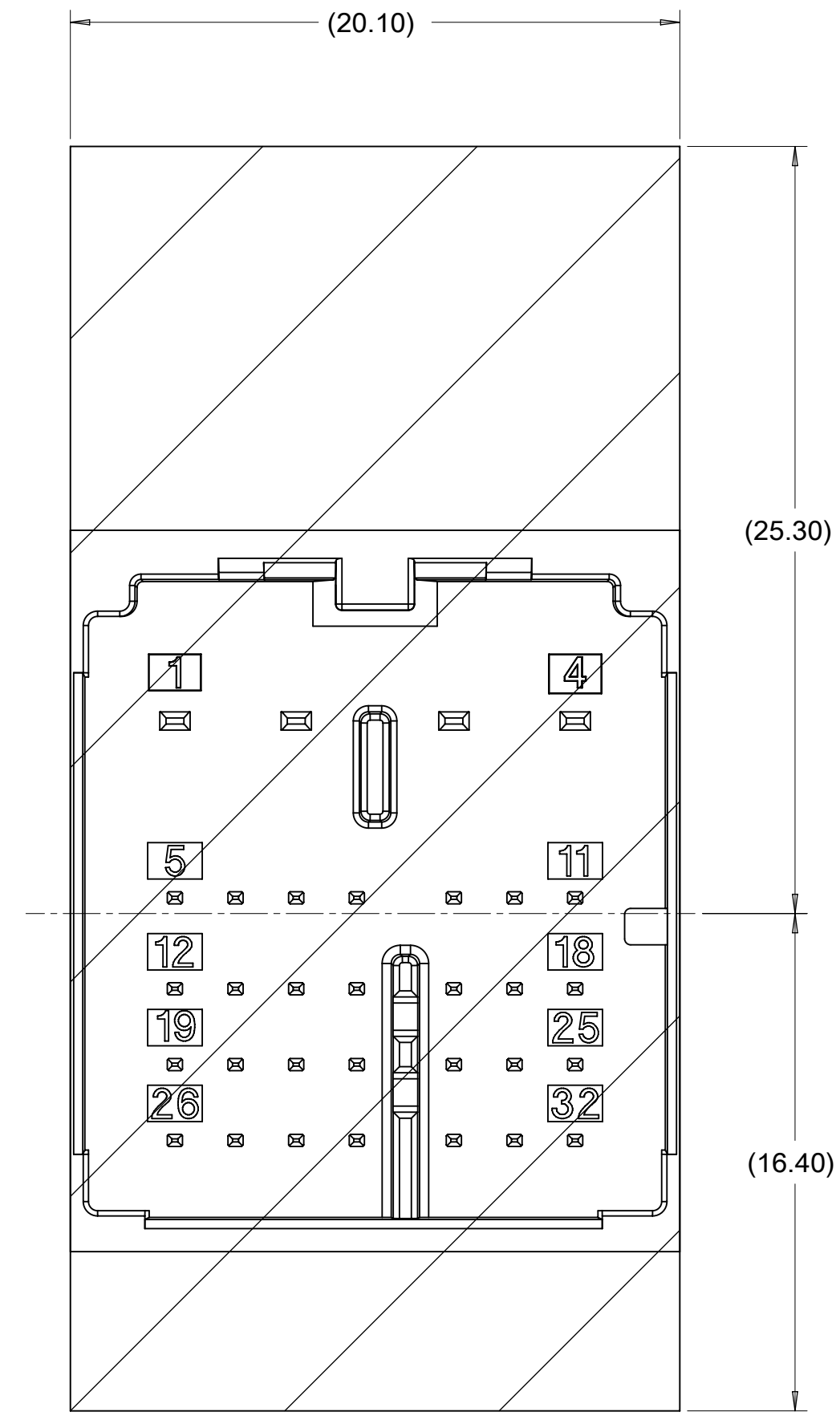
DOCUMENT NUMBER		DOC TYPE	DOC PART	REVISION
SD-160028-002		PSD	001	B1
MATERIAL NUMBER		CUSTOMER		SHEET NUMBER
		GENERAL MARKET		2 OF 3



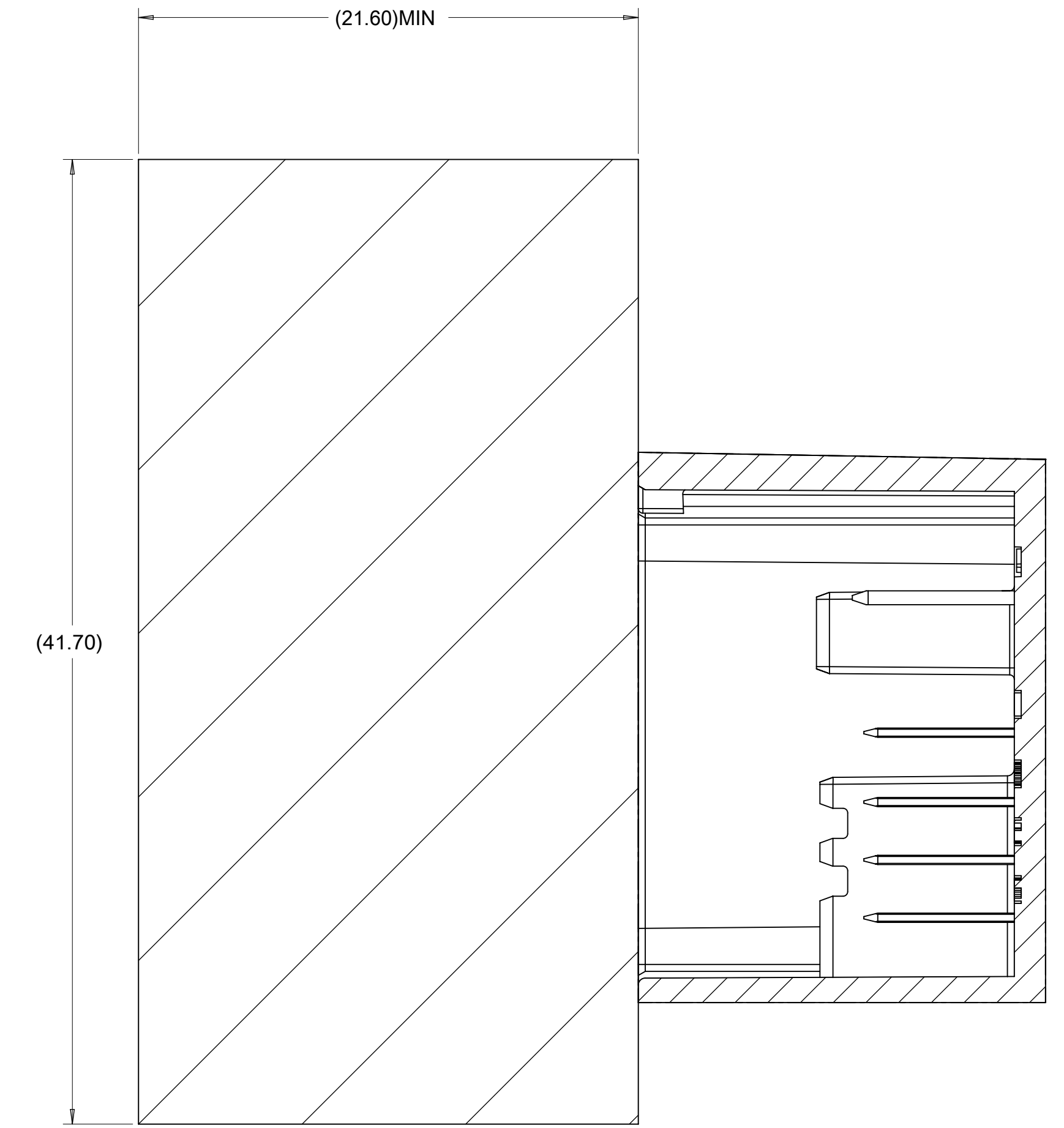
PACKAGE SPACE  
FOR UNMATED  
CONNECTOR



PACKAGE SPACE  
FOR CONNECTOR



PACKAGE SPACE  
FOR MATED  
CONNECTOR  
WITH COVER



SYMBOLS	THIS DRAWING CONTAINS INFORMATION THAT IS PROPRIETARY TO MOLEX ELECTRONIC TECHNOLOGIES, LLC AND SHOULD NOT BE USED WITHOUT WRITTEN PERMISSION		
	DIMENSION UNITS	SCALE	CURRENT REV DESC: ADDED DIMENSION BALLOONS
= 0	mm	5:1	
= 0	GENERAL TOLERANCES (UNLESS SPECIFIED)		
= 0	ANGULAR TOL	± °	
= 0	4 PLACES	±	EC NO: 602204
= 0	3 PLACES	±	DRWN: JCONDON 2018/08/02
= 0	2 PLACES	±	CHK'D: JCONDON 2018/08/03
= 0	1 PLACE	±	APPR: MVANSLAMBROU 2018/08/03
= 0	0 PLACES	±	INITIAL REVISION:
= 0	DRAFT WHERE APPLICABLE MUST REMAIN WITHIN DIMENSIONS		DRWN: MYOUNG01 2013/11/14
= 0	THIRD ANGLE PROJECTION	DRAWING	APPR: KDEKOSKI 2014/01/02
		D-SIZE	SERIES 160028
DOCUMENT STATUS		RELEASE DATE	2018/08/03 19:41:34
P1			
DOCUMENT NUMBER		DOC TYPE	DOC PART
SD-160028-002		PSD	001
MATERIAL NUMBER		CUSTOMER	REVISION
		GENERAL MARKET	B1
SHEET NUMBER		3 OF 3	