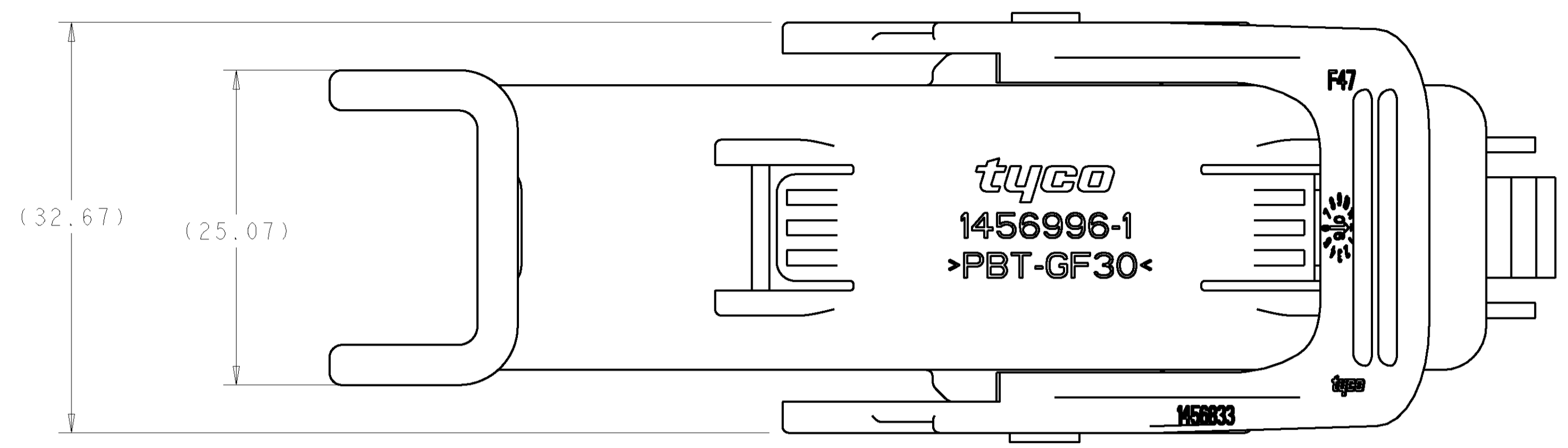
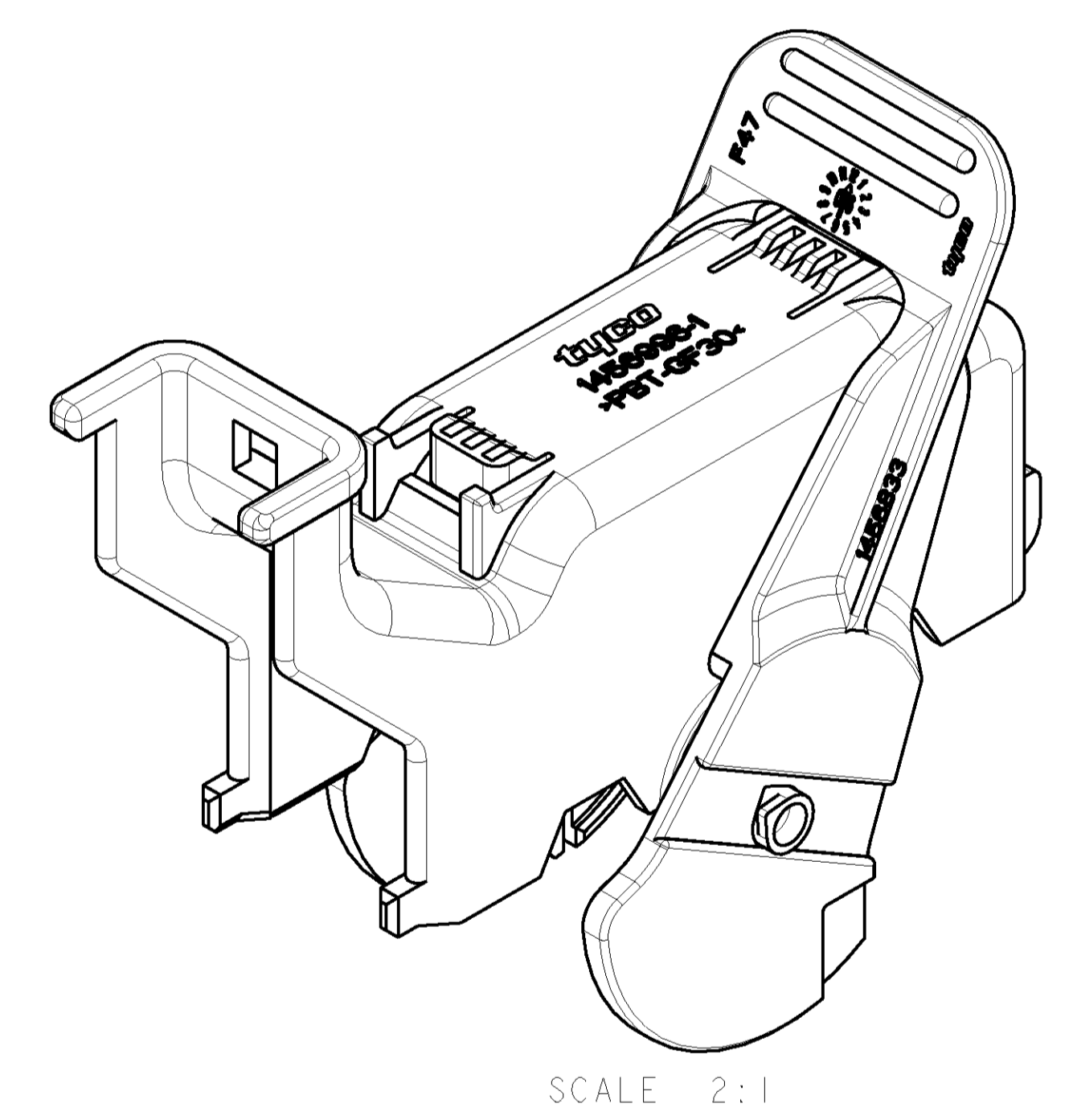
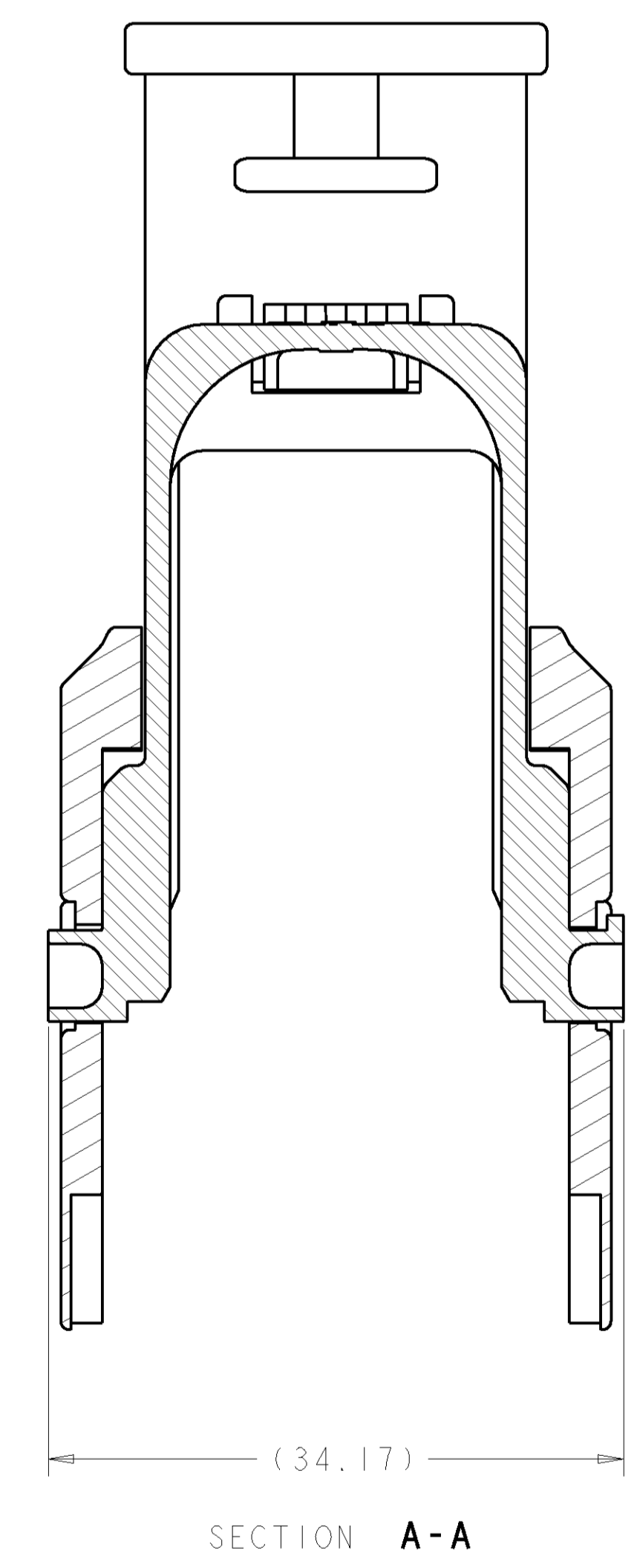
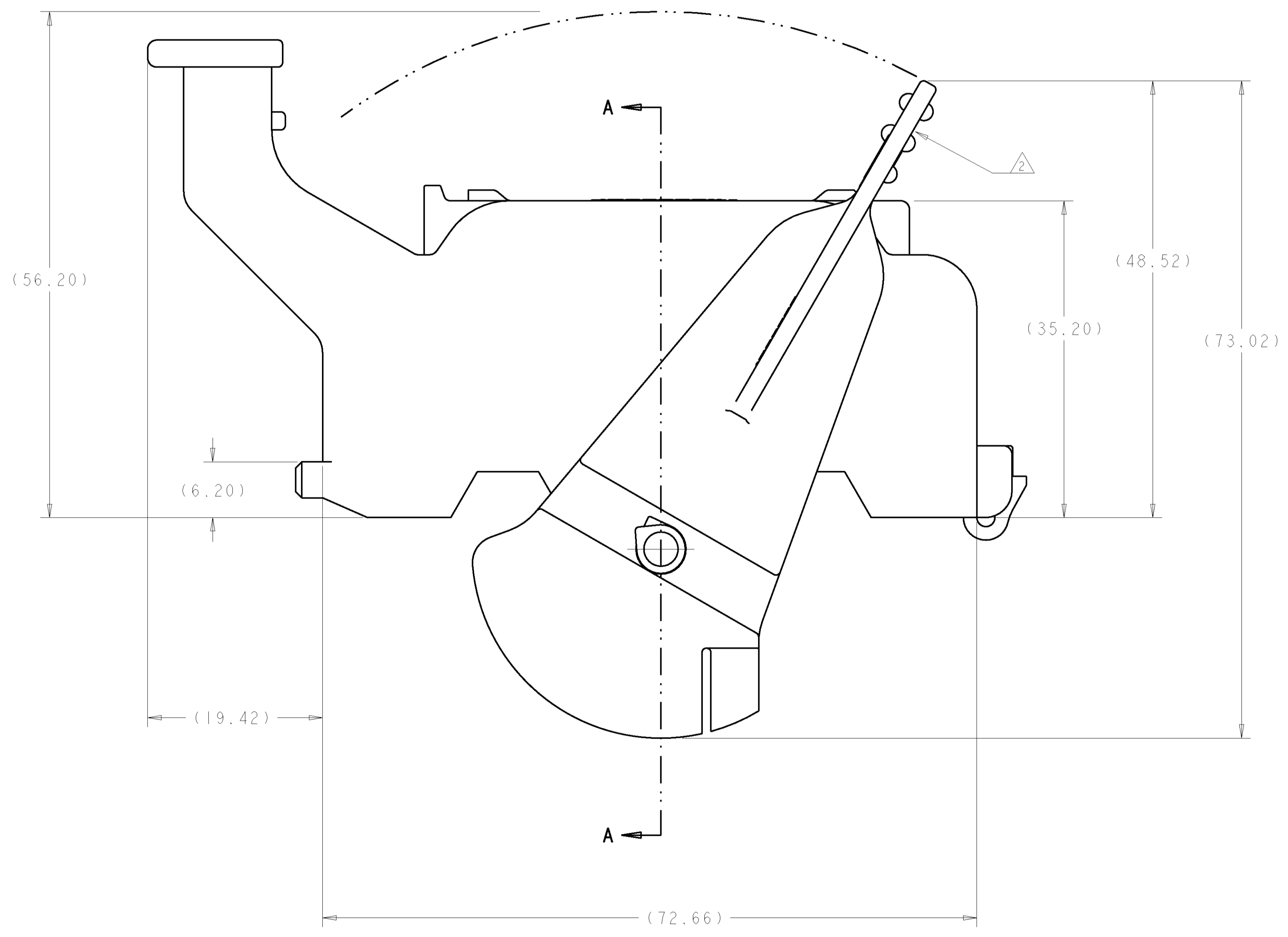


LOC	REV	DATE	DESCRIPTION	DATE	DWN	APP'D
BV	00					
	A		RELEASED PER ECR 07-024783	17OCT2007	DLD	HSB



1. TO BE USED WITH PLUG CONNECTOR ASSEMBLY 1456570.
 ⚠ LEVER SHALL BE ASSEMBLED IN LOCKED POSITION, AS SHOWN.



1456996-1
PART NUMBER

<small>THIS DRAWING IS UNPUBLISHED. RELEASED FOR PUBLICATION BY TYCO ELECTRONICS CORPORATION. ALL RIGHTS RESERVED.</small> <small>IT IS HEREBY ADVISED THAT THIS DRAWING IS UNPUBLISHED AND IS SUBJECT TO CHANGE AND WITHOUT WARRANTY OF MERCHANTABILITY OR FITNESS FOR ANY PARTICULAR PURPOSE. THE USER SHALL BE RESPONSIBLE FOR OBTAINING THE LATEST REVISION.</small>		DWN: W. HOELSCHER 29SEP2006 CHK: HOY BECK 03OCT2006 APP'D: HOY BECK 03OCT2006	Tyco Electronics Harrisburg, PA 17105-3608
DIMENSIONS: mm 	TOLERANCES UNLESS OTHERWISE SPECIFIED: 0 PLC ± 1 PLC ±0.3 2 PLC ±0.2 3 PLC ± 4 PLC ± ANGLES ±	NAME: WIRE COVER ASSEMBLY, 38 WAY, ABS CONNECTOR WITH VERTICAL EXIT AND LOW PIVOT PRODUCT SPEC: APPLICATION SPEC: SIZE: A1 CAGE CODE: 00779 DRAWING NO: 1456996	RESTRICTED TO: SCALE: 3:1 SHEET: 1 OF 1 REV: 2
MATERIAL:	FINISH:	WEIGHT:	CUSTOMER DRAWING