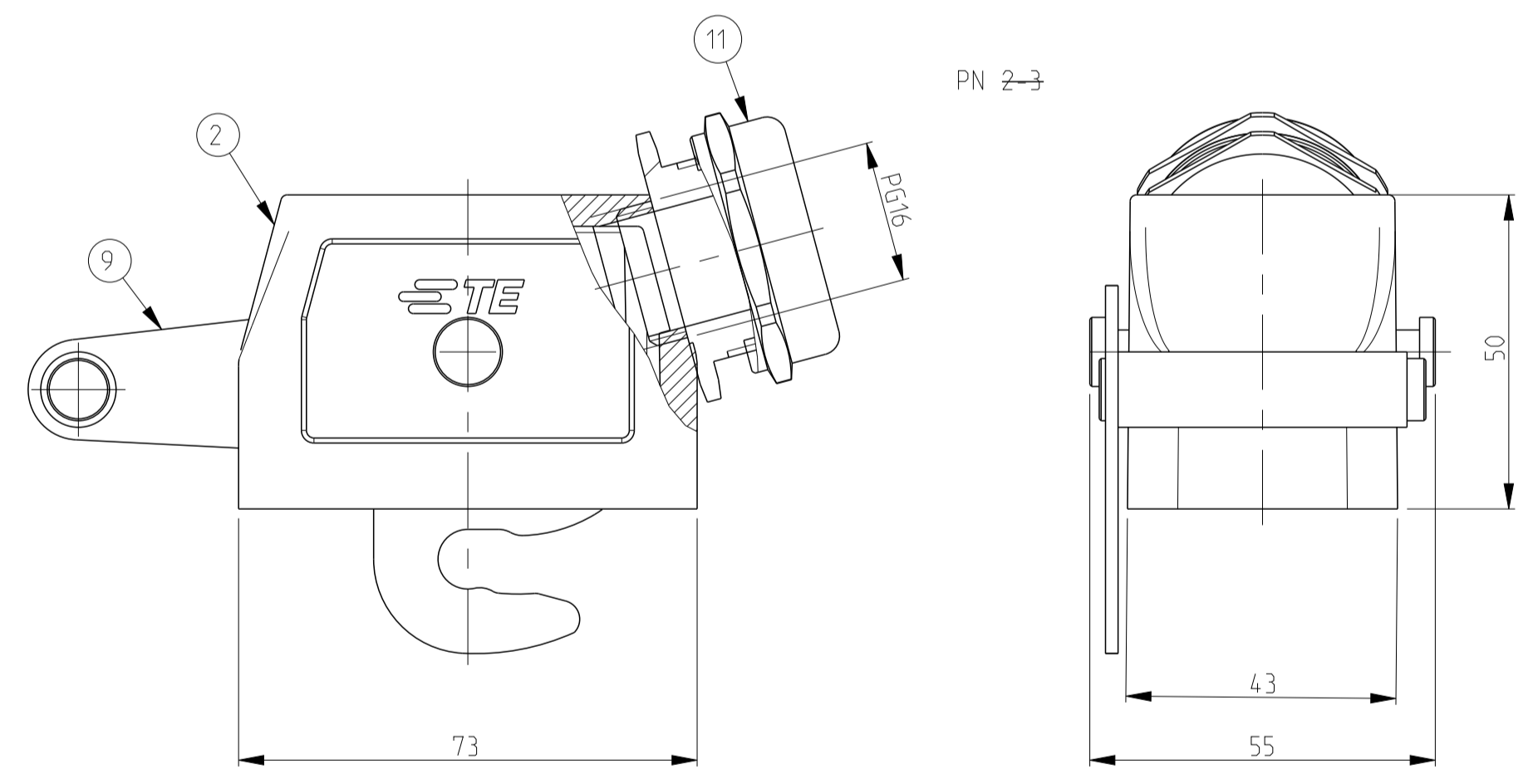
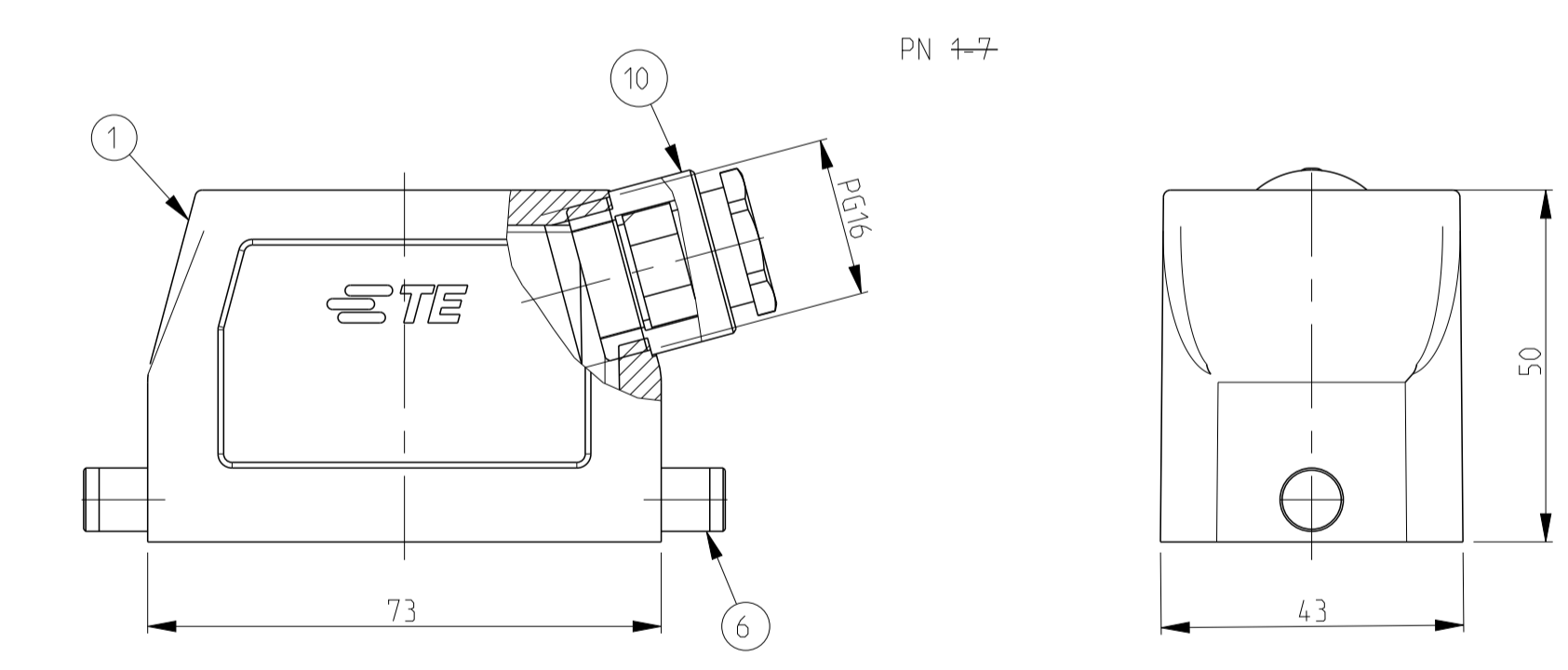
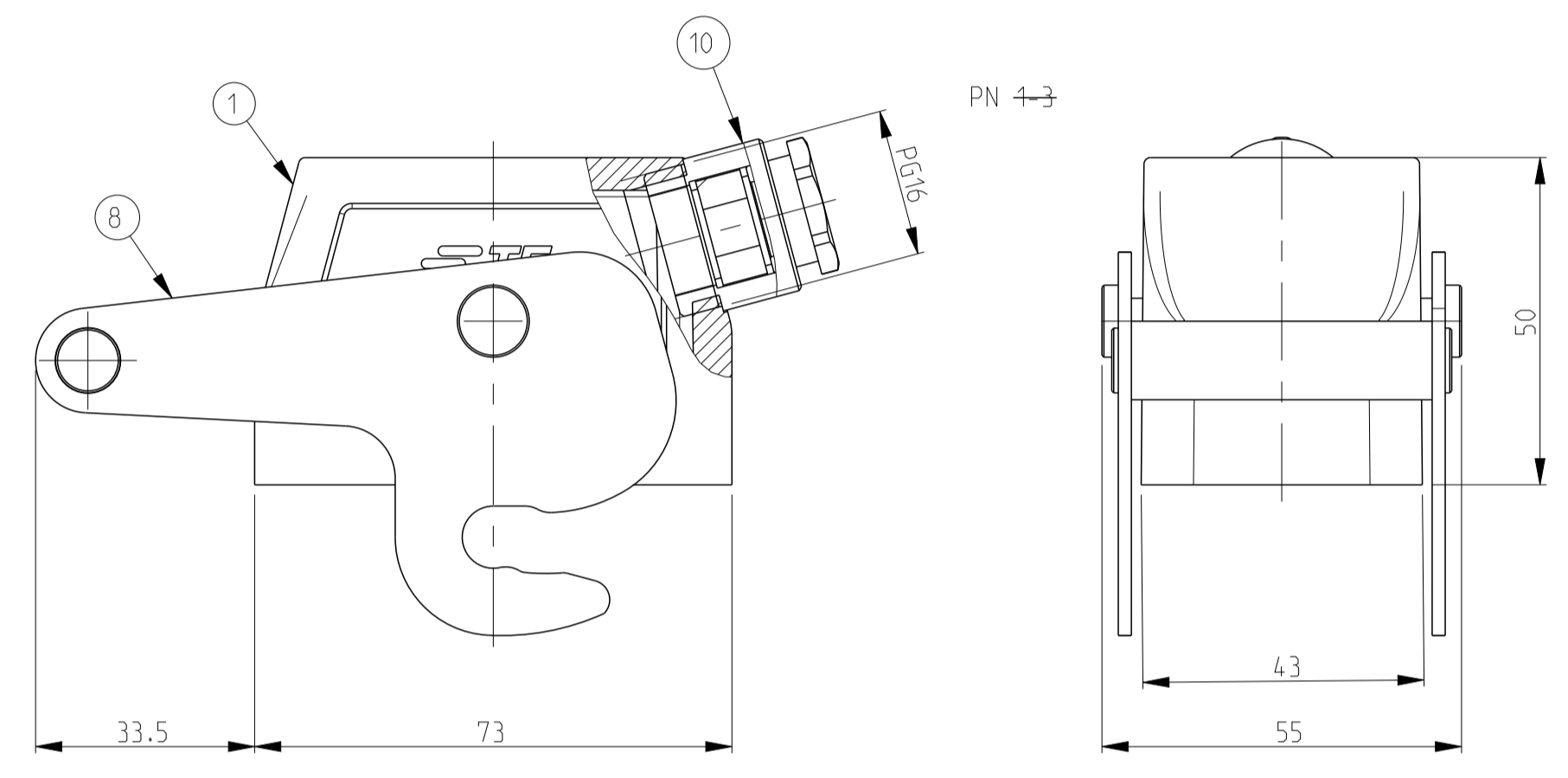
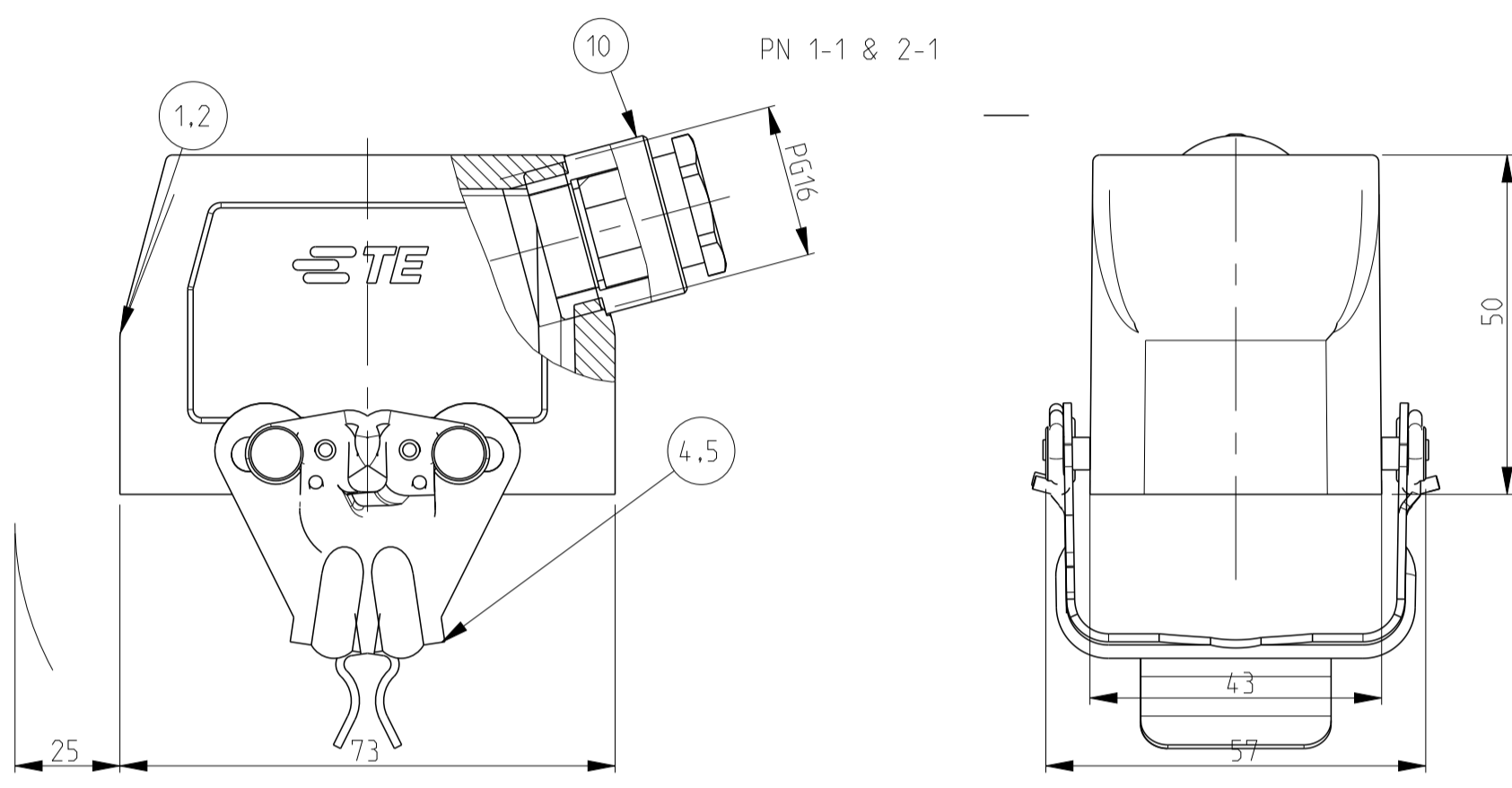
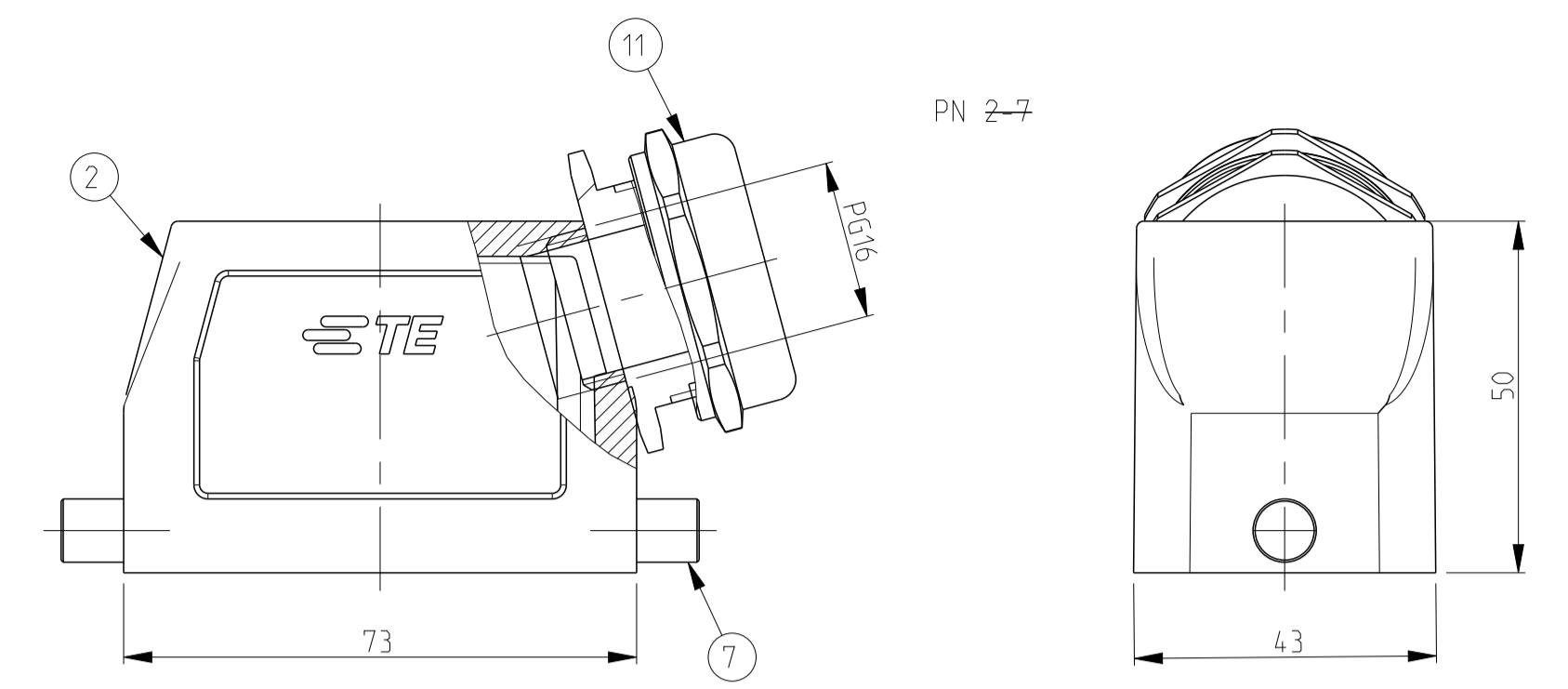
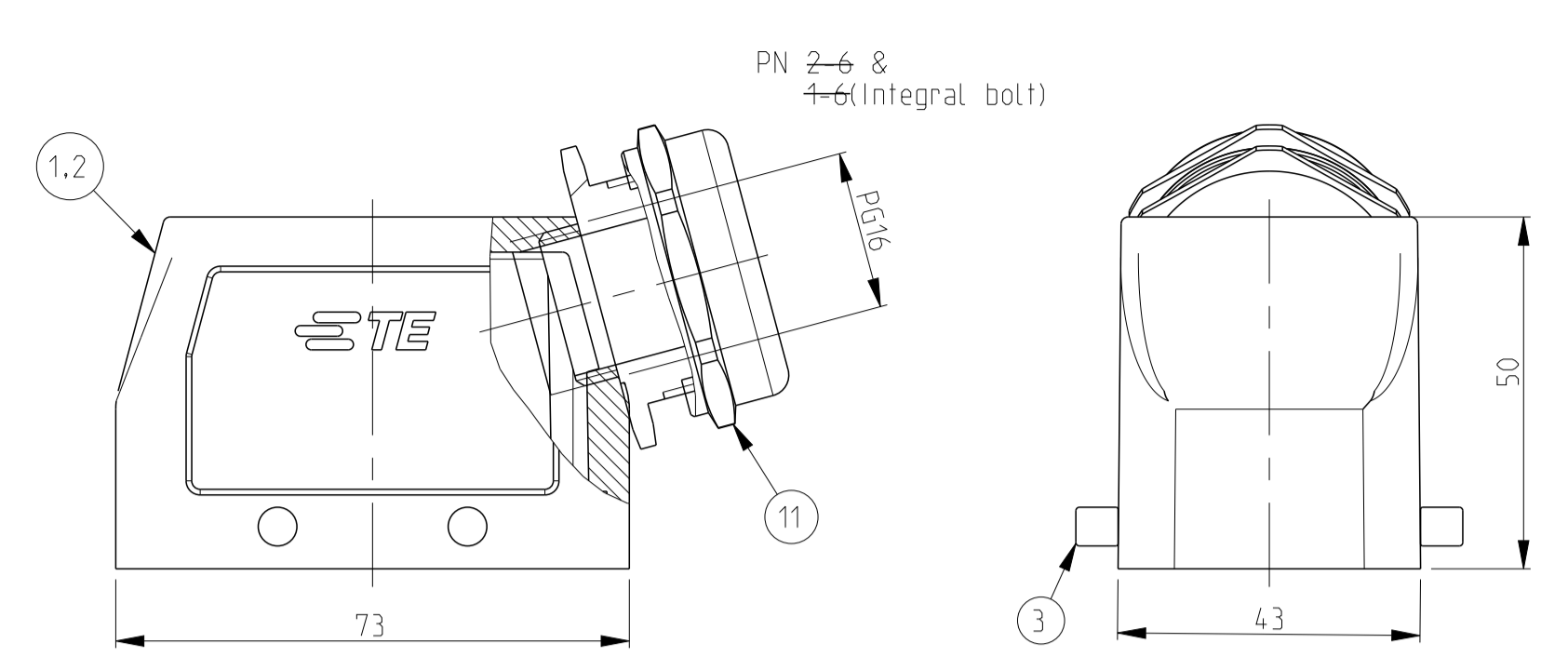
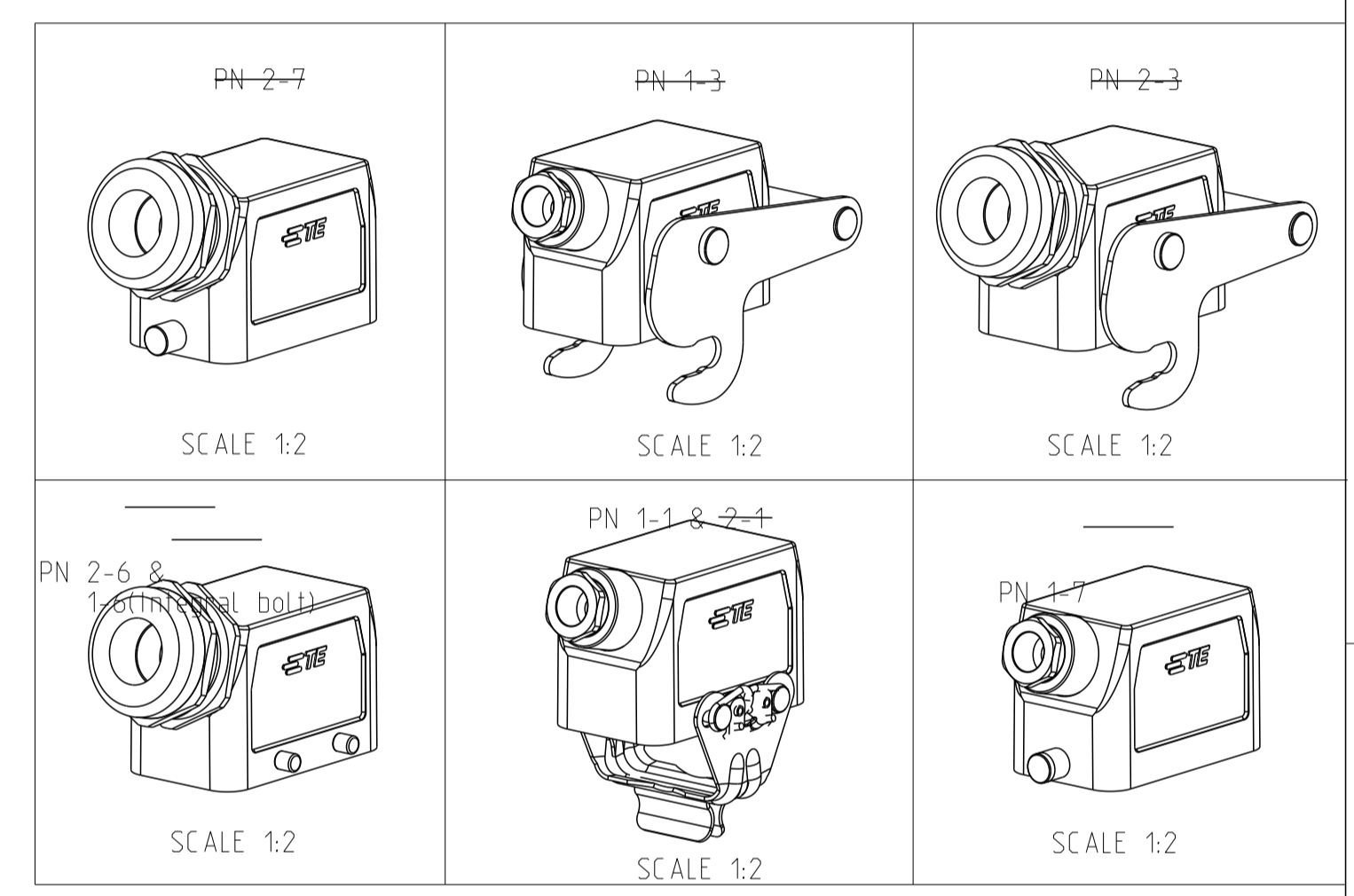


REVISIONS				
P	LTN	DESCRIPTION	DATE	DMN APVD
A3		REVISED PER ECR-16-016768	17AUG2017	AP MKO
A4		ECR-17-013084	29MAR18	SG MKO
A5		ECR-21-123293	21FEB2022	RK JB



- NOTES.
- Material:Housing:Aluminium Diecasting Alloy
 - Surface-Powder Varnish Grey
-Aluminium Oxide +
Varnish Black
 - Varnish on the inside not necessary
 - Packaging
Quantity 5 Pieces in a box



QTY	DESCRIPTION	MATERIAL	SURFACE	COLOR	ITEM NO	REMARKS
1	Gland fitting	Brass	Nickel plated	Blue	11	PG16
1	Cable connection round	Brass	Nickel plated	Blue	10	PG16
1	ZB Central clip	Stainless steel	Blank	-	9	
1	ZB Central clip	Steel	Zinc plated	Blue	8	
2	LB-Clip bolt	Stainless steel	Blank	-	7	
2	LB-Clip bolt	Steel	Zinc plated	Blue	6	
2	VS-Side clip	Stainless steel	Blank	-	5	
2	VS-Side clip	Steel	Zinc plated	Blue	4	
4	VS-Clip bolt	Stainless steel	Blank	-	3	
1	HB-K Hood	Aluminium	Aluminium oxide	Black	2	
1	HB Hood	Aluminium	-	Grey	1	
2-3	DESCRIPTION	MATERIAL	SURFACE	COLOR	ITEM NO	REMARKS
1	DESCRIPTION					
1	HB.10.STS.1.16					
1	HB-K.10.STS.1.16					
1	HB.10.STS-VS.1.16					
1	HB-K.10.STS-VS.1.16					
1	HB10.STS-GR.1.16					
1	HB-K.10.STS-GR.1.16					
1	HB-Z.10.STS-ZB.1.16					
1	HB-K/Z.10.STS-ZB.1.16					

THIS DRAWING IS A CONTROLLED DOCUMENT. DMN: Schneider 05.12.02
 CHK: Schweiger 05.12.02

STE TE Connectivity

NAME: Hood
 HB.10.STS.1.16

PRODUCT SPEC: -
 APPLICATION SPEC: -

SIZE: A1 CAGE CODE: 00779 DRAWING NO: 1102259 RESTRICTED TO: -
 WEIGHT: - SCALE: 1:1 SHEET 1 OF 1 REV: A5

CUSTOMER DRAWING