

**MATERIALS AND FINISHES**

**BODY: BRASS**  
**PLATED: GOLD (8 μ-in MIN)**  
**OVER NICKEL (80 μ-in MIN)**

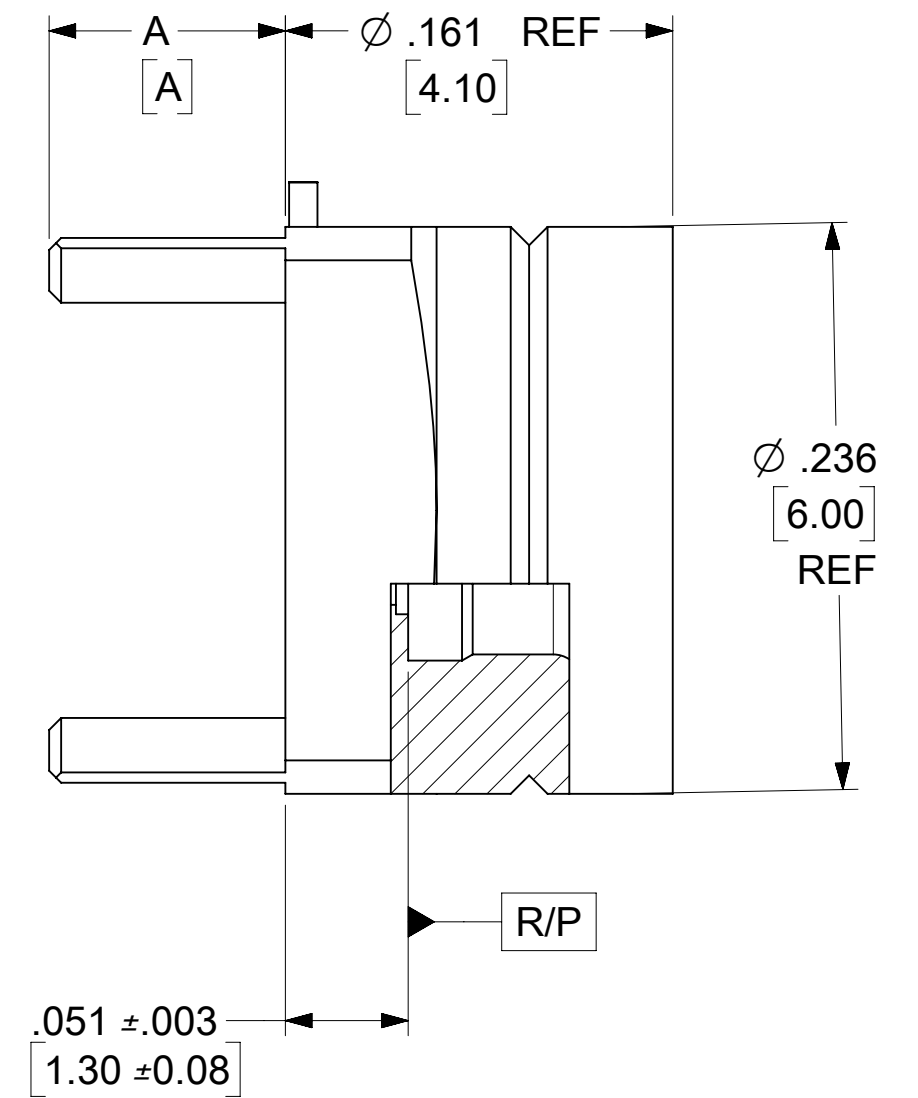
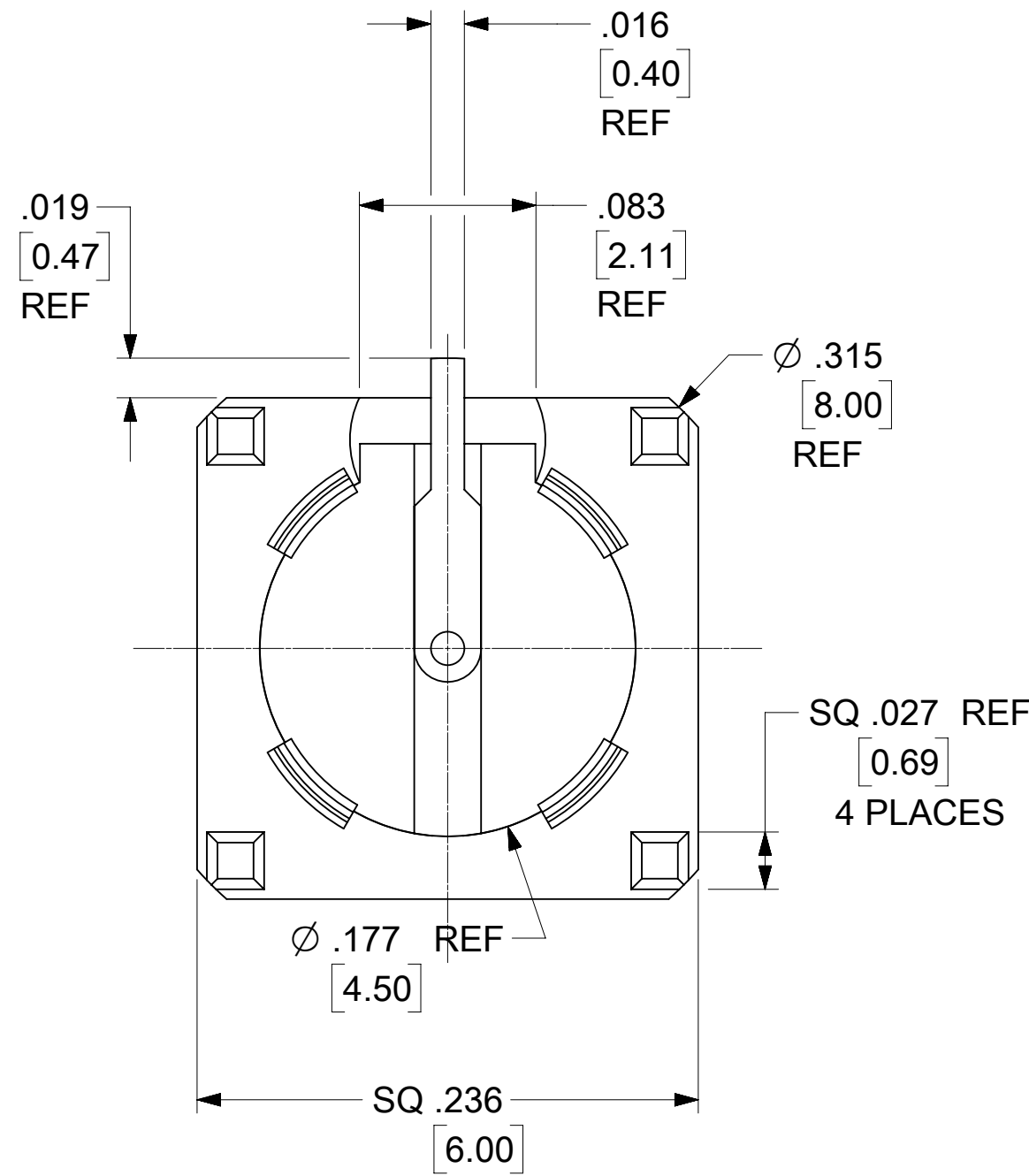
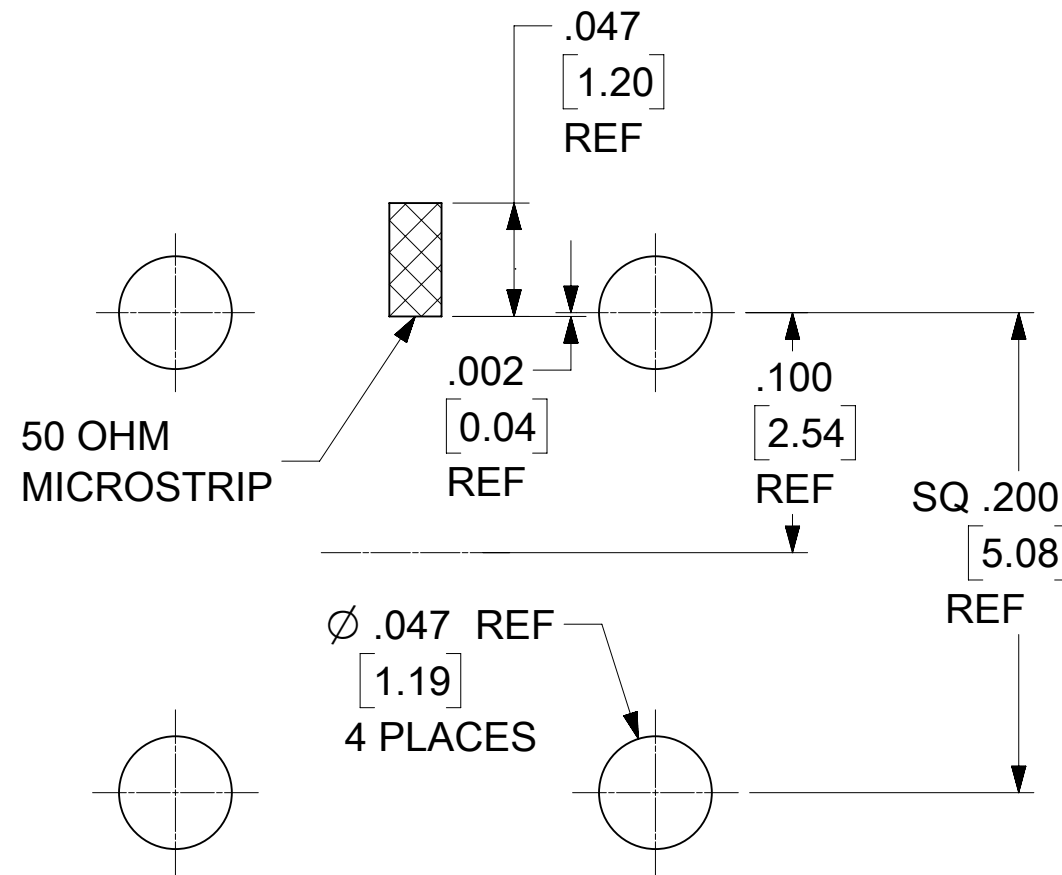
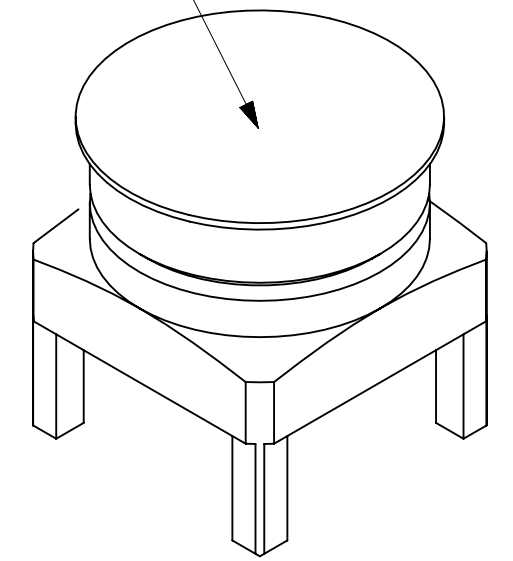
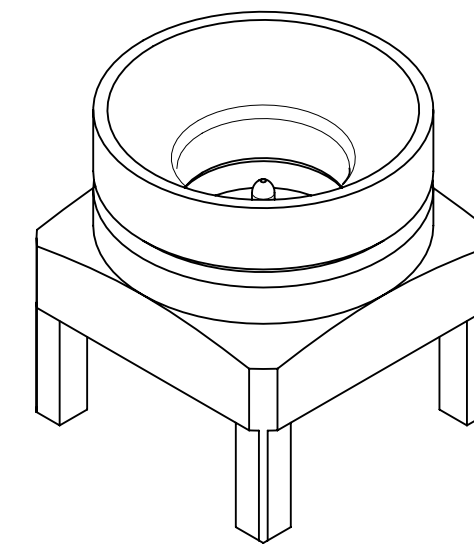
**CONTACT: BRASS**  
**PLATED: GOLD (30 μ-in MIN)**  
**OVER NICKEL (100 μ-in MIN)**

**INSULATOR: PEEK OR LCP**

**KAPTON TAPE DOT: POLYIMIDE FILM**  
**COLOR BLACK (ON -3318 ONLY)**

**TAPE & REEL: SEE SHEETS 2/3**

**KAPTON ON**  
**73415-3318**  
**ONLY**



PART NO.	DIM A (MM/IN)	DESCRIPTION
73415-3318	2.50 / .098	73415-3310 WITH KAPTON (750 PARTS PER REEL)
73415-3317	1.70 / .067	ONE PER BAG (73415-3313)
73415-3316	2.50 / .098	ONE PER BAG (73415-3311)
73415-3315	3.43 / .135	TRAY (73415-3314)
73415-3314	3.43 / .135	TAPE & REEL (750 PARTS PER REEL)
73415-3313	1.70 / .067	TRAY (73415-3312)
73415-3312	1.70 / .067	TAPE & REEL (750 PARTS PER REEL)
73415-3311	2.50 / .098	TRAY (73415-3310)
73415-3310	2.50 / .098	TAPE & REEL (750 PARTS PER REEL)

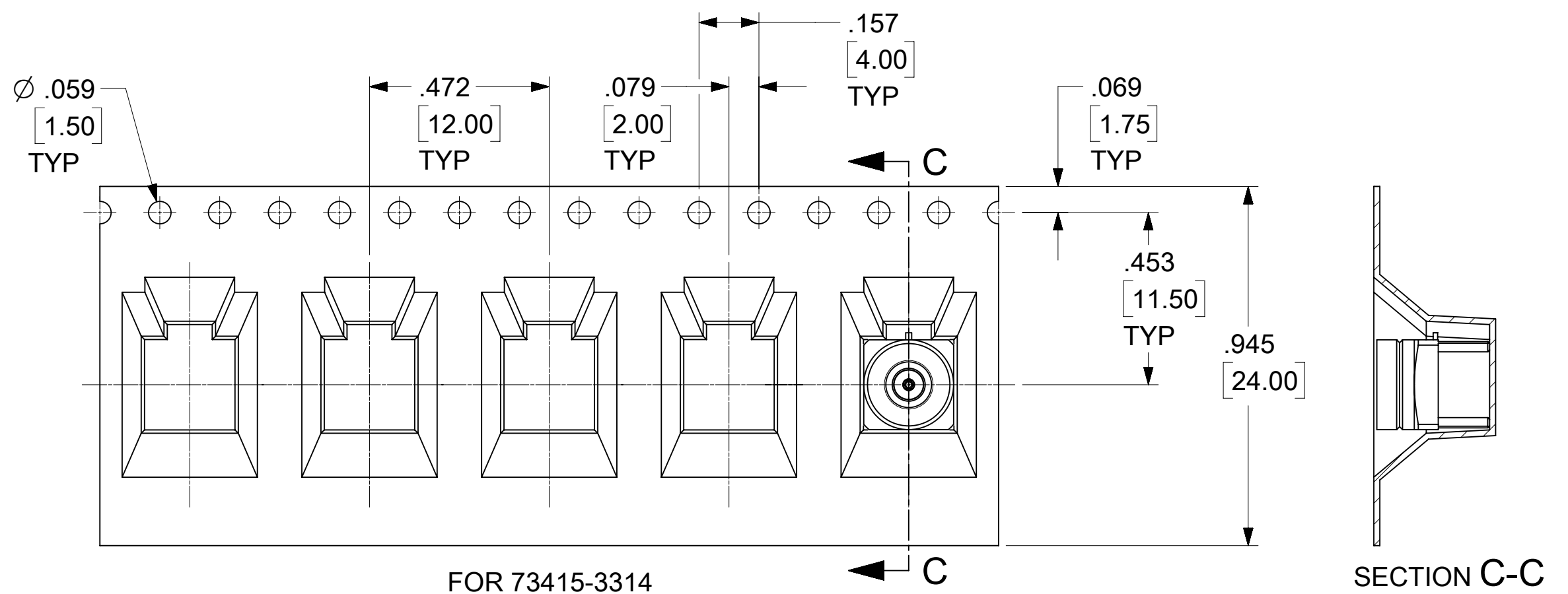
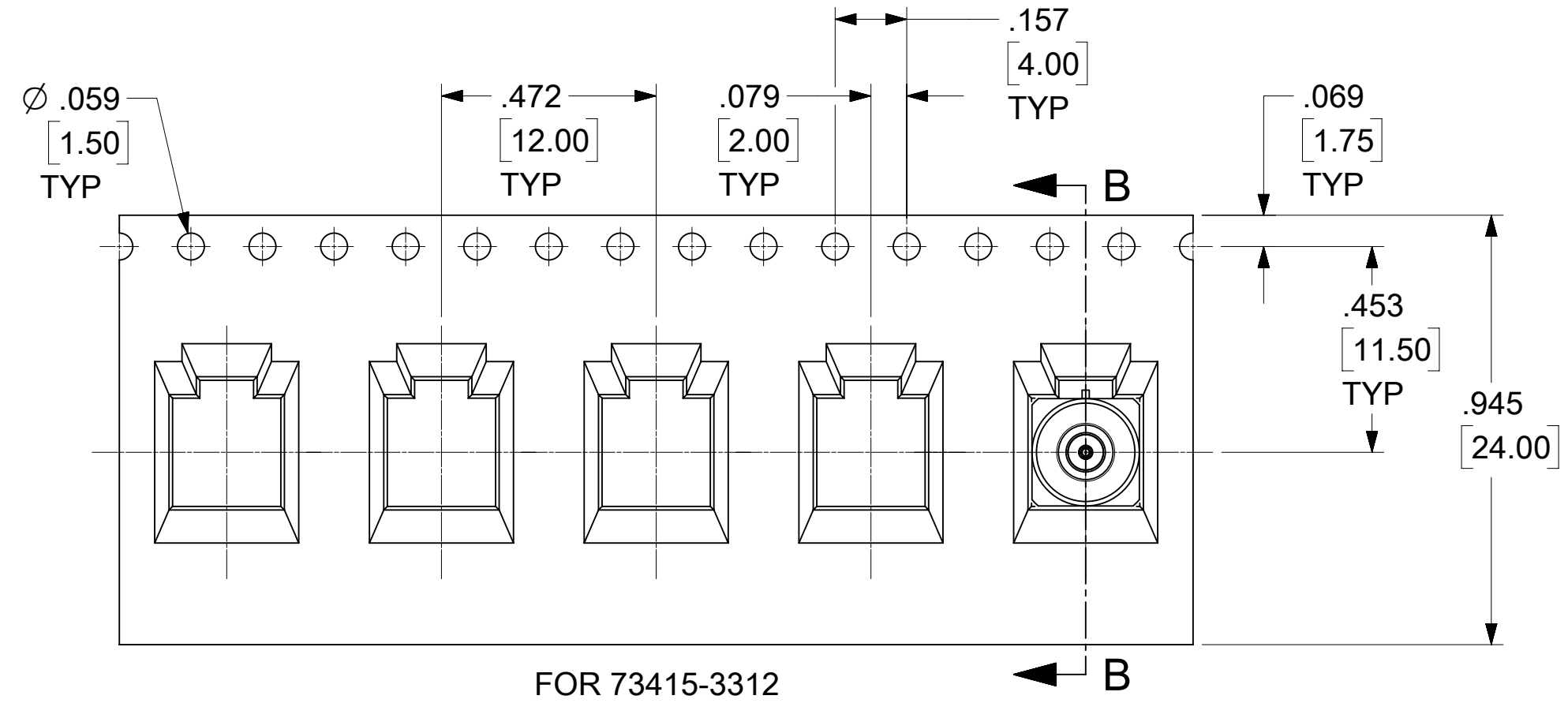
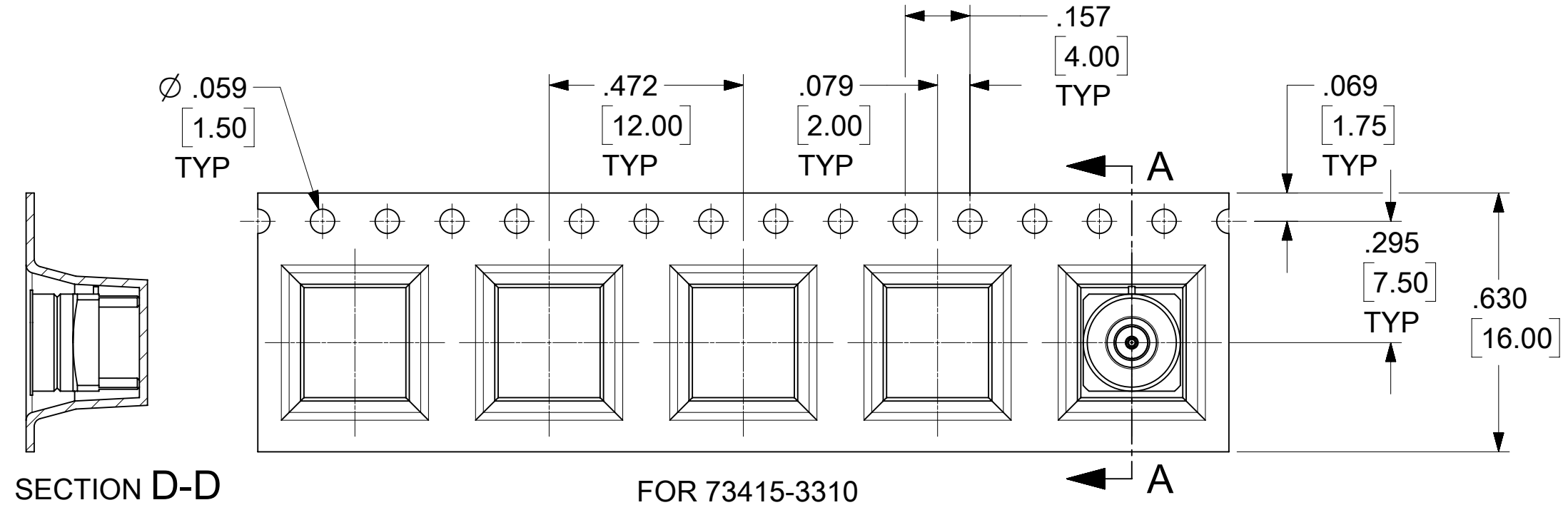
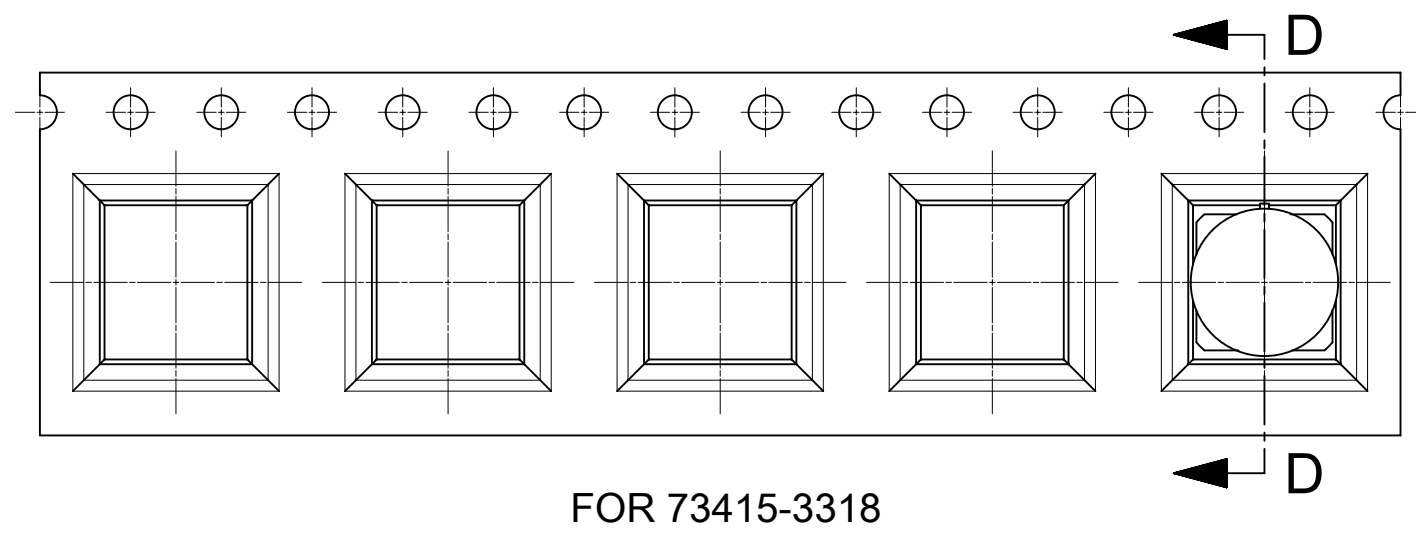
PS-89675-3320	PRODUCT SPECIFICATION
MIL-STD-348B, FIG. 326.3	INTERFACE
SPECIFICATION	DESCRIPTION

REV	DATE	DESCRIPTION
B11	2020/8/21	ADD -3318 PER EWR #13990-A
B10	2013/10/16	ADD -3317

THIS DRAWING CONTAINS INFORMATION THAT IS PROPRIETARY TO MOLEX ELECTRONIC TECHNOLOGIES, LLC AND SHOULD NOT BE USED WITHOUT WRITTEN PERMISSION

DIMENSION UNITS	SCALE	CURRENT REV DESC:	<b>molex</b>		
INCH/MM	NTS				
GENERAL TOLERANCES (UNLESS SPECIFIED)			SMP PLUG STRAIGHT PCB LIMITED DETENT, EWR-1359 SMP-P/PCB		
4 PLACES	±	±	EC NO: 643951	2020/01/02	PRODUCT CUSTOMER DRAWING
3 PLACES	±	± 0.01	DRWN: SSSHAH	2020/09/03	
2 PLACES	±	± 0.25	CHK'D: YCHENG	2020/09/03	DOCUMENT NUMBER: <b>SD-73415-331</b>
1 PLACE	±	±	APPR: YCHENG	2020/09/03	
0 PLACES	±	±	INITIAL REVISION:	2005/12/09	DOC PART: 001
ANGULAR TOL	±	± 2.0 °	DRWN: JMASTRIANO	2005/12/09	REVISION: C10
DRAFT WHERE APPLICABLE MUST REMAIN WITHIN DIMENSIONS	THIRD ANGLE PROJECTION		APPR: JWIENER	DRAWING: C-SIZE	SERIES: 73415
			MATERIAL NUMBER: SEE TABLE	CUSTOMER:	SHEET NUMBER: 1 OF 3

NOTE  
 1. 10 PIECES CUMULATIVE TOLERANCE  $\pm 0.20$ [.008]



THIS DRAWING CONTAINS INFORMATION THAT IS PROPRIETARY TO MOLEX ELECTRONIC TECHNOLOGIES, LLC AND SHOULD NOT BE USED WITHOUT WRITTEN PERMISSION									
DIMENSION UNITS		SCALE		CURRENT REV DESC:					
INCH/MM		NTS							
GENERAL TOLERANCES (UNLESS SPECIFIED)									
	MM	INCH							
4 PLACES	$\pm$	$\pm$							
3 PLACES	$\pm$	$\pm 0.01$							
2 PLACES	$\pm 0.25$	$\pm$							
1 PLACE	$\pm$	$\pm$							
0 PLACES	$\pm$	$\pm$							
ANGULAR TOL	$\pm 2.0^\circ$								
DRAFT WHERE APPLICABLE MUST REMAIN WITHIN DIMENSIONS			THIRD ANGLE PROJECTION		DRAWING		SERIES		
			C-SIZE		73415				
EC NO: 643951				2020/01/02					
DRWN: SSSHAH				2020/09/03					
CHK'D: YCHENG				2020/09/03					
APPR: YCHENG				2020/09/03					
INITIAL REVISION:				2005/12/09		DOCUMENT NUMBER			
DRWN: JMASTRIANO				2005/12/09		SD-73415-331		DOC TYPE	
APPR: JWIENER				2005/12/09		PSD		DOC PART	
						001		REVISION	
						C10			
						MATERIAL NUMBER		CUSTOMER	
						SEE TABLE		SHEET NUMBER	
						2 OF 3			

LABEL:  
 -ORDER NUMBER  
 -QUANTITY  
 -PART NUMBER  
 -LOT NUMBER

Ø 12.993  
 [330.02]

75 EMPTY UNITS  
 MINIMUM

ORDER QUANTITY  
 PACKED WITH 750  
 PARTS

40 EMPTY UNITS  
 MINIMUM

.230  
 [5.84]  
 MIN

HANDLING DIRECTION →

FOR 73415-3310  
 73415-3312  
 73415-3314  
 73415-3318

DETAIL E  
 SCALE 2:1

FOR 73415-3310

DETAIL F  
 SCALE 2:1

FOR 73415-3312

DETAIL G  
 SCALE 2:1

FOR 73415-3314

DETAIL H  
 SCALE 2:1

FOR 73415-3318

THIS DRAWING CONTAINS INFORMATION THAT IS PROPRIETARY TO MOLEX ELECTRONIC TECHNOLOGIES, LLC AND SHOULD NOT BE USED WITHOUT WRITTEN PERMISSION

DIMENSION UNITS		SCALE		CURRENT REV DESC:		<b>molex</b>					
INCH/MM		NTS									
GENERAL TOLERANCES (UNLESS SPECIFIED)						SMP PLUG STRAIGHT PCB LIMITED DETENT, EWR-1359 SMP-P/PCB					
						PRODUCT CUSTOMER DRAWING					
4 PLACES ±						EC NO: 643951		DOCUMENT NUMBER		DOC TYPE   DOC PART   REVISION	
3 PLACES ±						DRWN: SSSHAH		SD-73415-331		PSD   001   C10	
2 PLACES ± 0.25						CHK'D: YCHENG		MATERIAL NUMBER		CUSTOMER	
1 PLACE ±						APPR: YCHENG		SEE TABLE		SHEET NUMBER	
0 PLACES ±						INITIAL REVISION:		SERIES		3 OF 3	
ANGULAR TOL ± 2.0 °						DRWN: JMASTRIANO		C-SIZE		73415	
DRAFT WHERE APPLICABLE MUST REMAIN WITHIN DIMENSIONS						APPR: JWIENER		DRAWING		THIRD ANGLE PROJECTION	

DOCUMENT STATUS | P1 | RELEASE DATE | 2020/09/03 | 11:59:48