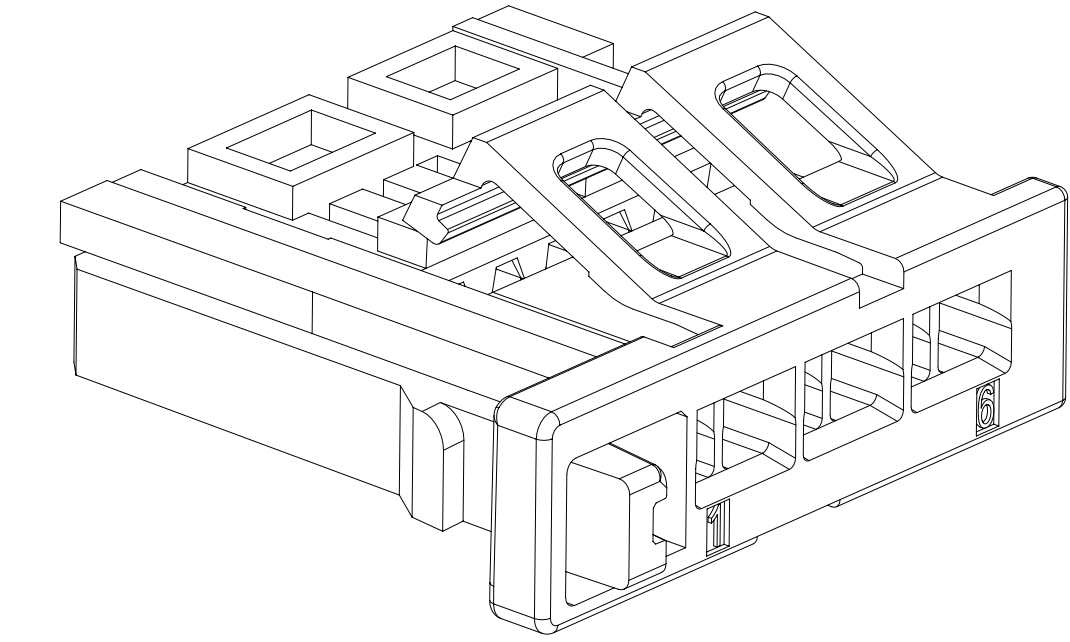
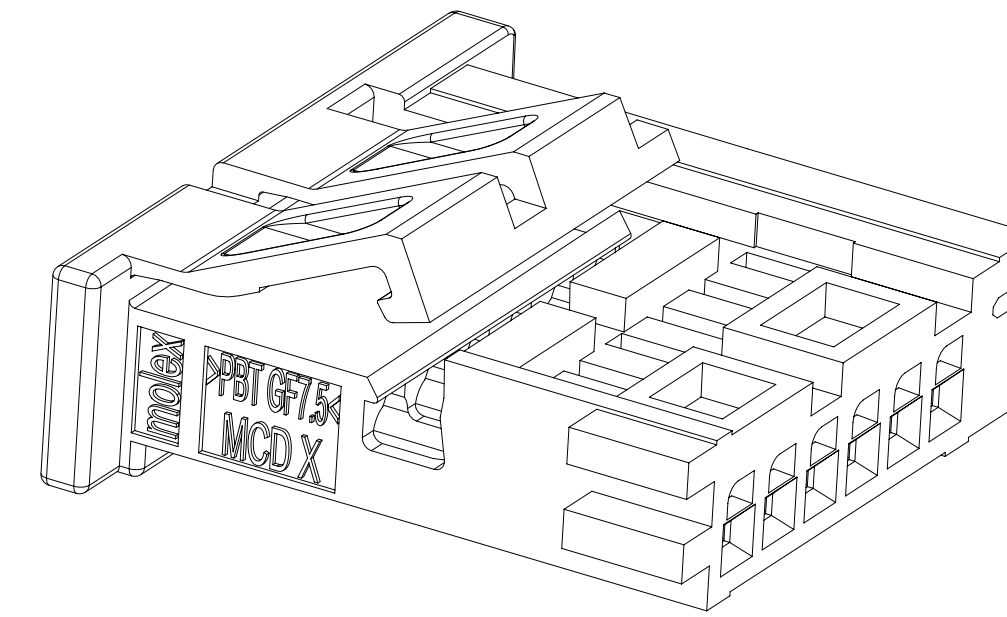


**EXAMPLE:**

PN 2058272081  
 205827 - SERIES NUMBER: SINGLE ROW RECEPTACLE  
 2 - TYPE OF COMPONENT: STANDARD MATL RECPT  
 06 - 06 USABLE CIRCUITS  
 1 - POL A

FINAL PART: 06CKT SINGLE ROW RECEPTACLE - POL A

**6 WAY RECEPTACLE SHOWN**



	SERIES NUMBERS (AAAAAA)	TYPE OF COMPONENT (B)	USABLE CIRCUITS (CC)	POL (D)
ON DRAWING	205827 - TANG RECEPTACLE	2 - STANDARD MATERIAL	02 - 2 Circuits	0 - No POL or N/A
MATING PARTS	208033 - RIGHT ANGLE SMT HEADER - TAPE & REEL		...	1 - POL A
	208034 - RIGHT ANGLE SMT HIGH PERFORMANCE HEADER - TAPE & REEL		...	2 - POL B
	208035 - VERTICAL SMT HEADER - TAPE & REEL		...	3 - POL C
	208036 - VERTICAL SMT HIGH PERFORMANCE HEADER - TAPE & REEL		22 - 22 Circuits	4 - POL D

NOTES: VALID UNLESS OTHERWISE SPECIFIED

1. GENERAL:

- 1.1 APPLICATION SPECIFICATION SEE: 2046310000-AS
- 1.2 PRODUCT SPECIFICATION SEE: 2046310000-PS
- 1.3 PACKAGING SPECIFICATION PER MOLEX DRAWING: PK-31301-538
- 1.4 PARTS MUST BE IN COMPLIANCE TO MOLEX CHEMICAL SUBSTANCES FOR PRODUCTS AND PACKAGING SPECIFICATION: QEHS-699000-300 (FOR SUPPLIERS) OR QEHS-699000-304 (INTERNAL)
- 1.5 DATA MUST BE SUBMITTED UNDER THE MOLEX PART NUMBER TO IMDS (COMPANY ID#13255)
- 1.6 COMPATIBLE WITH AK INTERFACE TO DRAWING C-114-94000-20 REV A1

2. DESIGN - MATERIALS:

- 2.1 RECEPTACLE HOUSING:
  - a. MATERIAL: PBT-GF7.5%
  - b. COLOR: SEE PART TABLE

3. DESIGN - GEOMETRY:

- 3.1 GEOMETRIC DIMENSIONS AND TOLERANCES PER ASME Y14.5M-2009
- 3.2 EDGES AND UNDIMENSIONED DETAILS PER ISO13715
- 3.3 CORNERS SHOWN AS SHARP TO BE R 0.2 MAX.
- 3.4 MARKED TEXT TO INCLUDE:
  - a. FOR RECEPTACLE COMPONENT: RECYCLING CODE, CAVITY ID, AND VENDOR IDENTIFICATION.

INTERFACE	INTERFACE CKT SIZE	DIM A	DIM B	POL	COLOR	RECEPTACLE P/N	PART STATUS
	2	10.40	7.75	A	BLACK	2058272021	AVAILABLE
				B	NATURAL	2058272022	
				C	BLUE	2058272023	
				D	VIOLET	2058272024	
	3	12.20	9.55	A	BLACK	2058272031	AVAILABLE
				B	NATURAL	2058272032	
				C	BLUE	2058272033	
				D	VIOLET	2058272034	
	4	14.00	11.35	A	BLACK	2058272041	AVAILABLE
				B	NATURAL	2058272042	
				C	BLUE	2058272043	
				D	VIOLET	2058272044	
	5	15.80	13.15	A	BLACK	2058272051	AVAILABLE
				B	NATURAL	2058272052	
				C	BLUE	2058272053	
				D	VIOLET	2058272054	
	6	17.60	14.95	A	BLACK	2058272061	AVAILABLE
				B	NATURAL	2058272062	
				C	BLUE	2058272063	
				D	VIOLET	2058272064	
	7	19.40	16.75	A	BLACK	2058272071	INQUIRE FOR AVAILABILITY
				B	NATURAL	2058272072	
				C	BLUE	2058272073	
				D	VIOLET	2058272074	
	8	21.20	18.55	A	BLACK	2058272081	INQUIRE FOR AVAILABILITY
				B	NATURAL	2058272082	
				C	BLUE	2058272083	
				D	VIOLET	2058272084	
	9	23.00	20.35	A	BLACK	2058272091	INQUIRE FOR AVAILABILITY
				B	NATURAL	2058272092	
				C	BLUE	2058272093	
				D	VIOLET	2058272094	
	10	24.80	22.15	A	BLACK	2058272101	INQUIRE FOR AVAILABILITY
				B	NATURAL	2058272102	
				C	BLUE	2058272103	
				D	VIOLET	2058272104	
	11	26.60	23.95	A	BLACK	2058272111	INQUIRE FOR AVAILABILITY
				B	NATURAL	2058272112	
				C	BLUE	2058272113	
				D	VIOLET	2058272114	

INSPECION BALLOON NUMBER LOG		
PER DRAWING REVISION: A3	A3	CHANGED POL B COLOR FROM GRAY TO NATURAL
LAST BALLOON USED: 17	A2	CHANGED DIM A DIMENSIONS
ADDED BALLOON NUMBERS:	A1	ADDED DIMENSION BALLOONS UPDATED TOERLANCE FOR DIM 3
REMOVED BALLOON NUMBERS:	A	INITIAL RELEASE
	REV	DESCRIPTION

THIS DRAWING CONTAINS INFORMATION THAT IS PROPRIETARY TO MOLEX ELECTRONIC TECHNOLOGIES, LLC AND SHOULD NOT BE USED WITHOUT WRITTEN PERMISSION

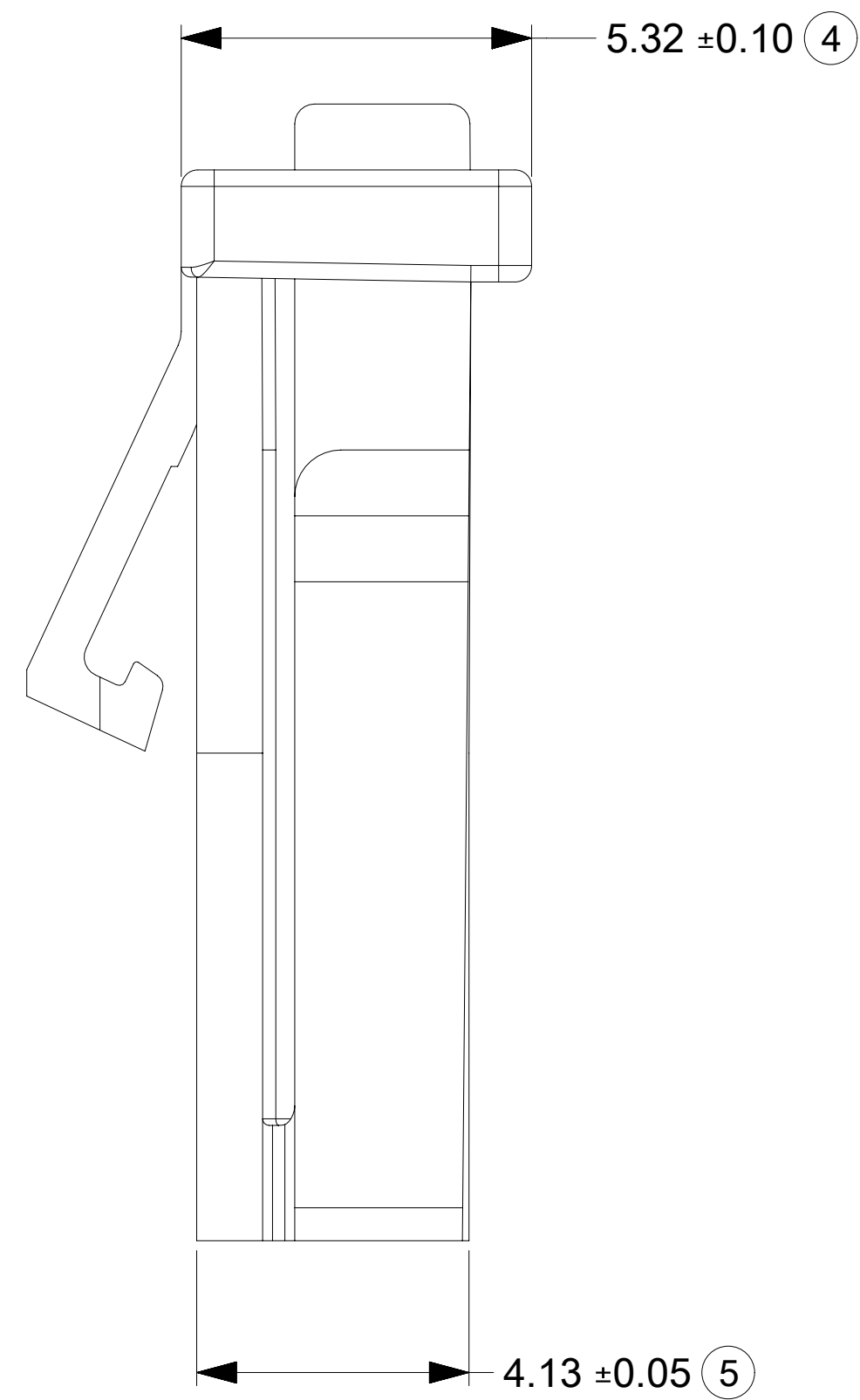
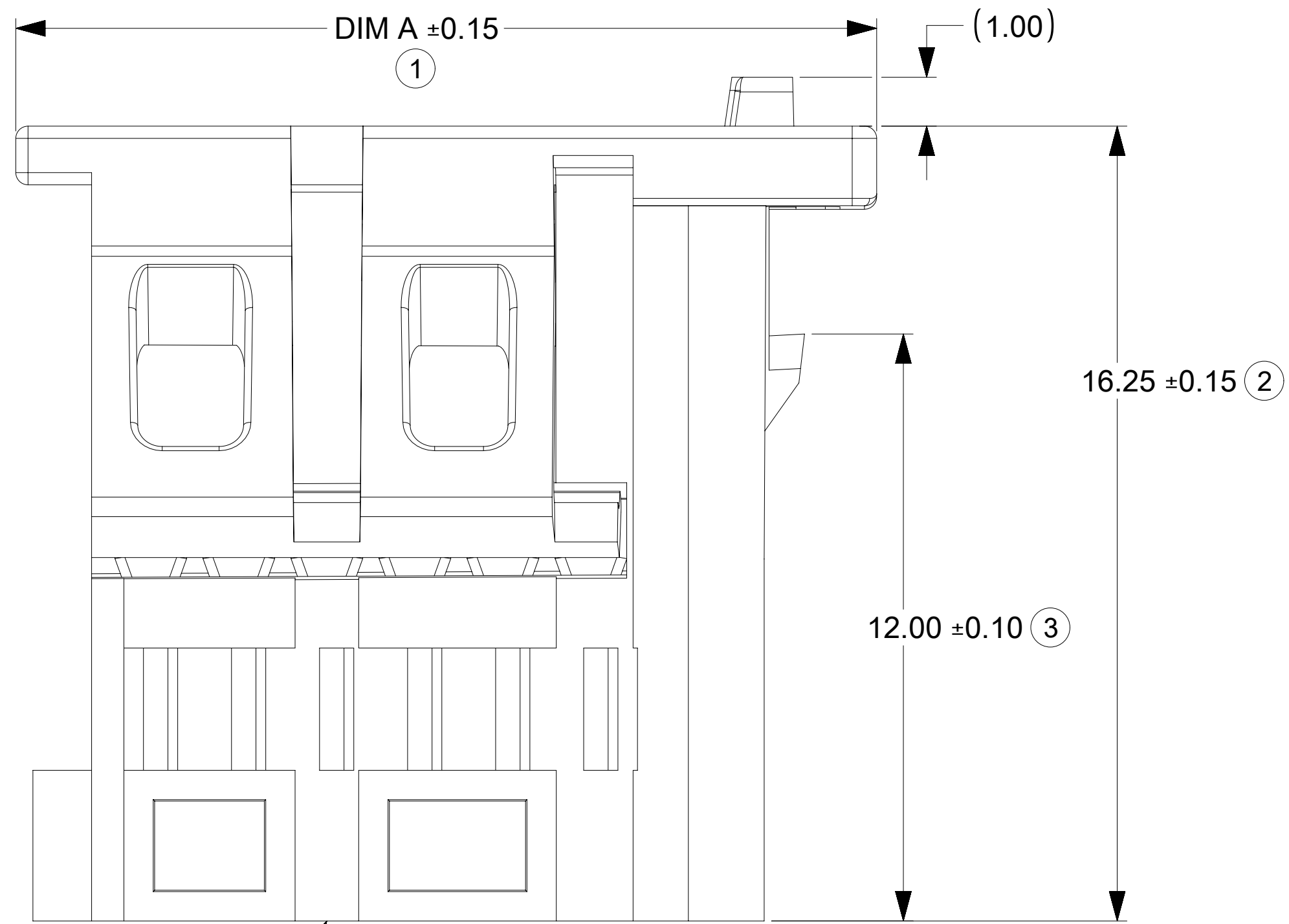
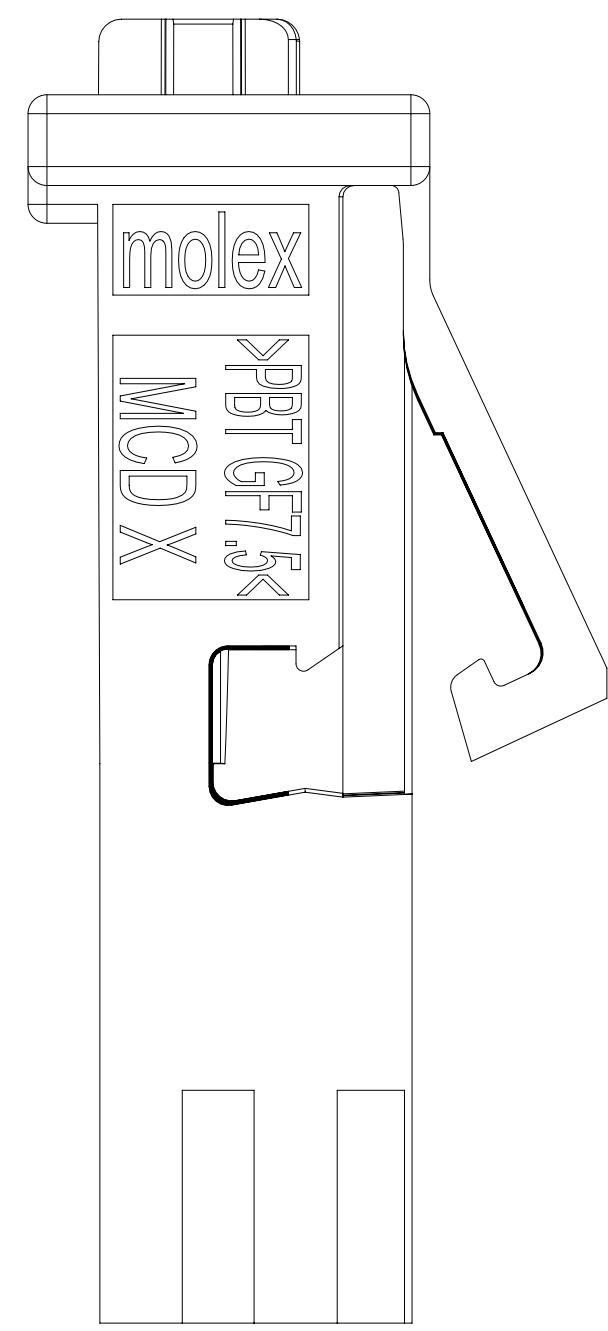
DIMENSION UNITS: mm	SCALE: 6:1	CURRENT REV DESC:	
GENERAL TOLERANCES (UNLESS SPECIFIED)		EC NO: 675374	
ANGULAR TOL: ± °		DRWN: VBALASUBRAMA	2021/08/25
4 PLACES: ±		CHK'D: JDUNAJ	2021/08/26
3 PLACES: ±		APPR: JDUNAJ	2021/08/26
2 PLACES: ±		INITIAL REVISION:	
1 PLACE: ±		DRWN: KHEWITT	2019/02/20
0 PLACES: ±		APPR: JDUNAJ	2019/06/12
DRAFT WHERE APPLICABLE MUST REMAIN WITHIN DIMENSIONS	THIRD ANGLE PROJECTION	DRAWING: D-SIZE	SERIES: 205827

CONNTAK50 SR TNG RECEPTACLE SALES DWG

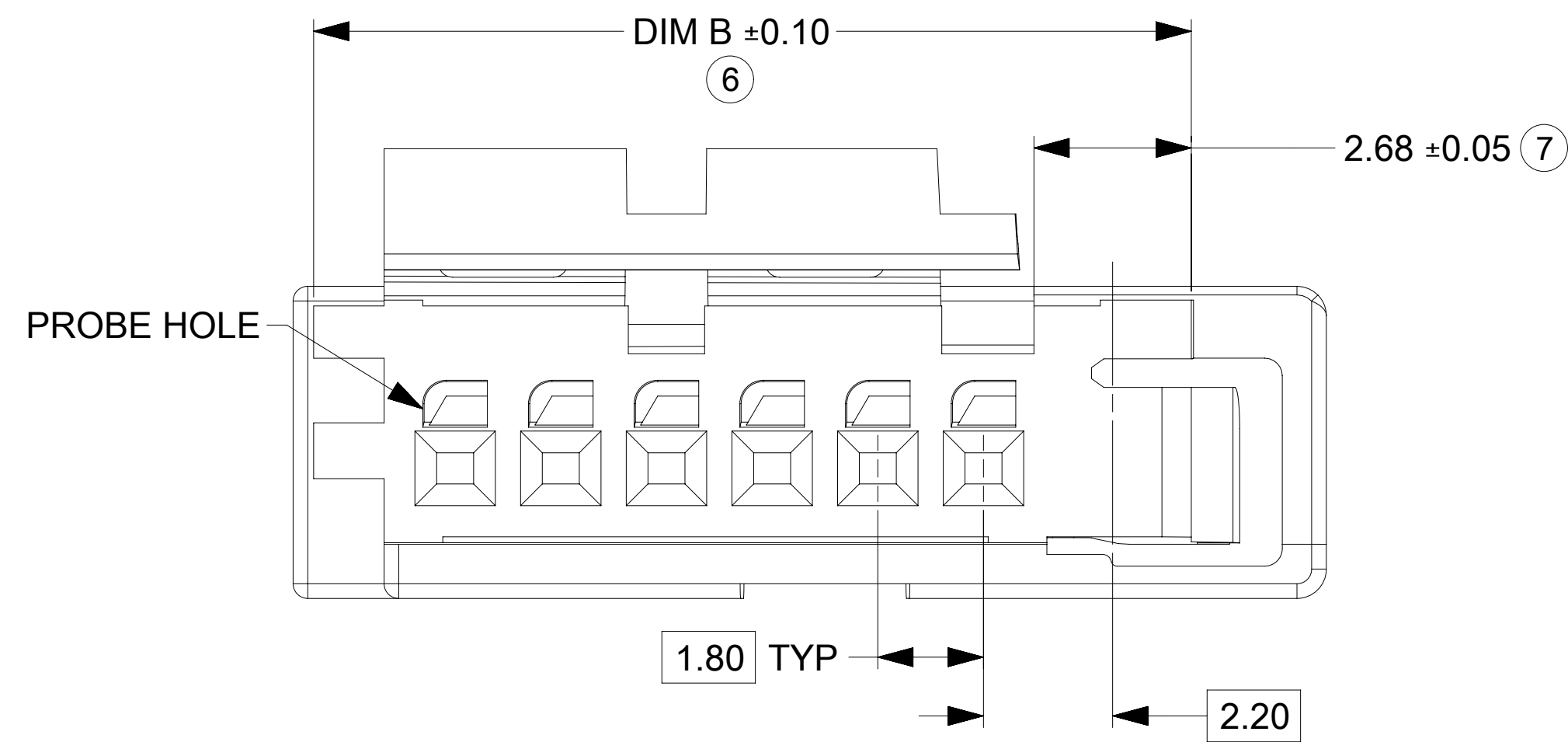
PRODUCT CUSTOMER DRAWING

DOCUMENT NUMBER	DOC TYPE	DOC PART	REVISION
2058270002	PSD	000	A3

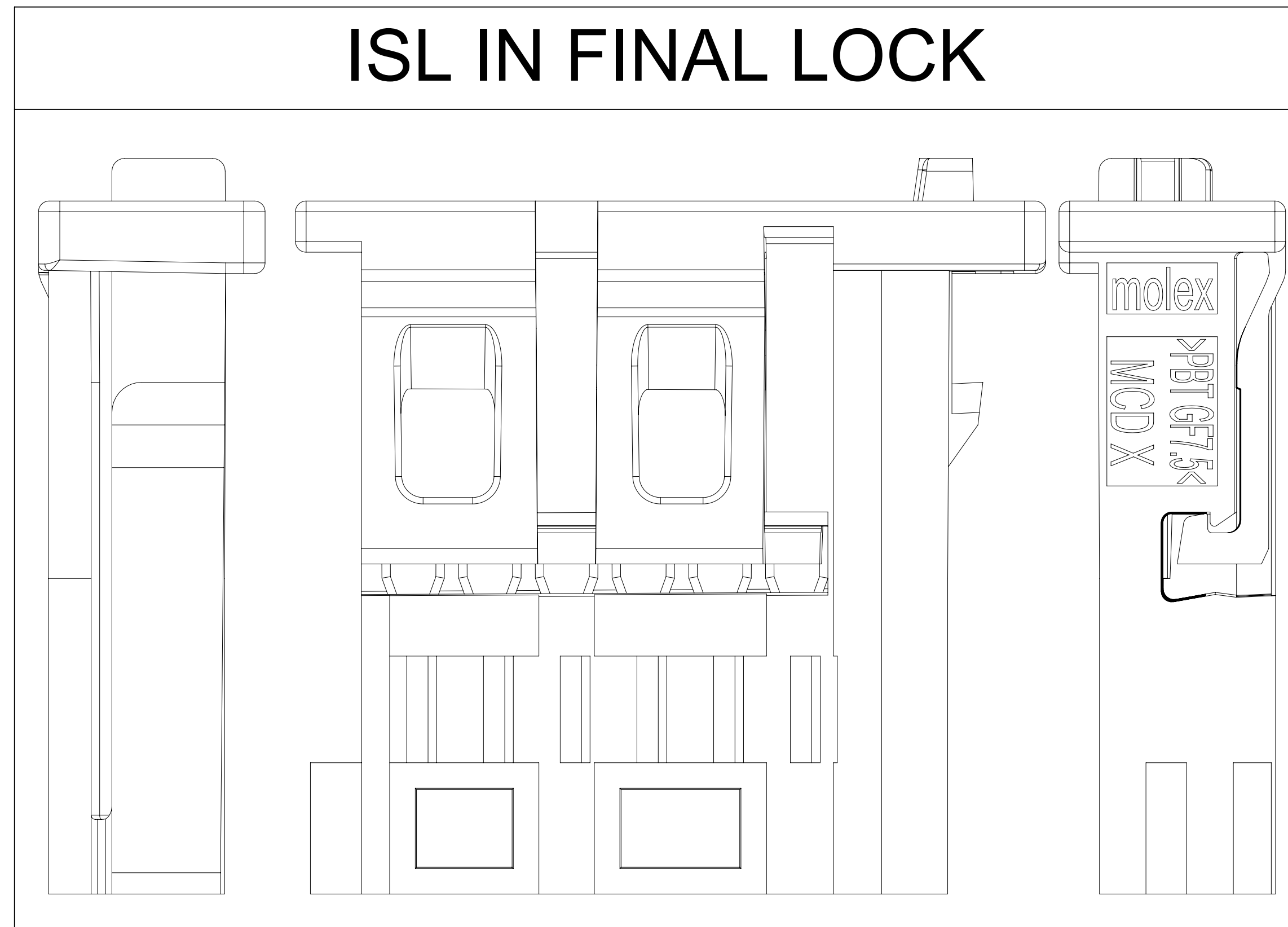
MATERIAL NUMBER: 2058270002    CUSTOMER: GENERAL MARKET    SHEET NUMBER: 1 OF 2



CIRCUITS 6-11 CONTAIN 2ND RIB



### ISL IN FINAL LOCK



### POLARIZATION / KEYS / CODING

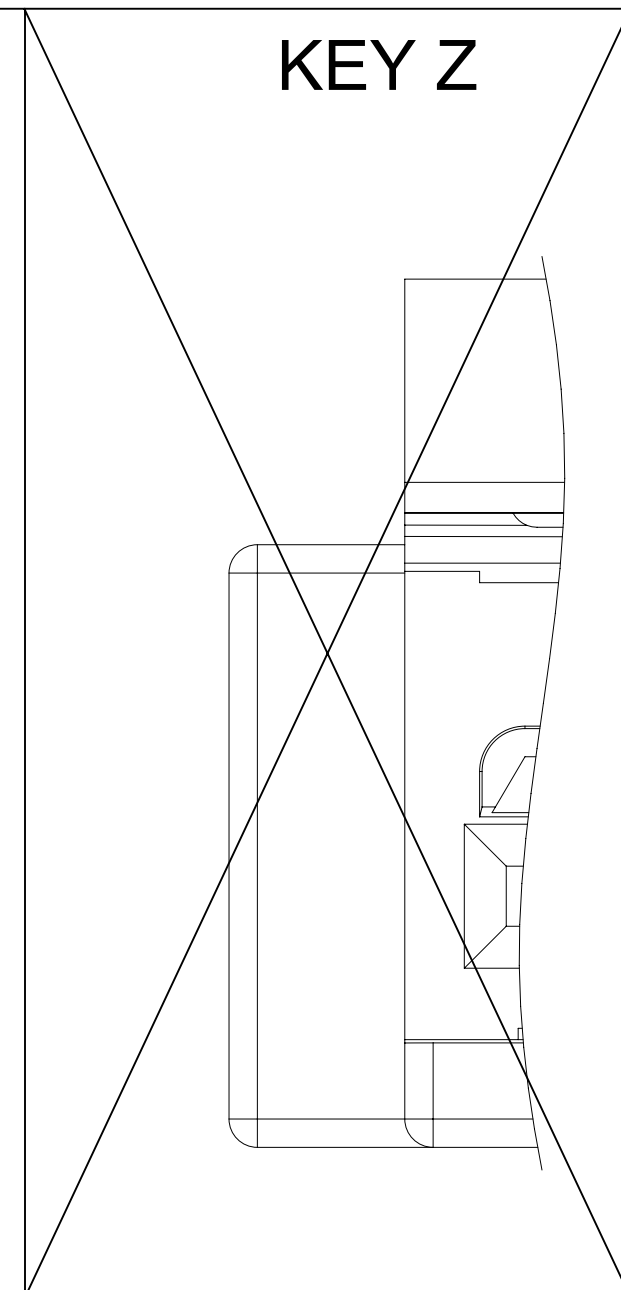
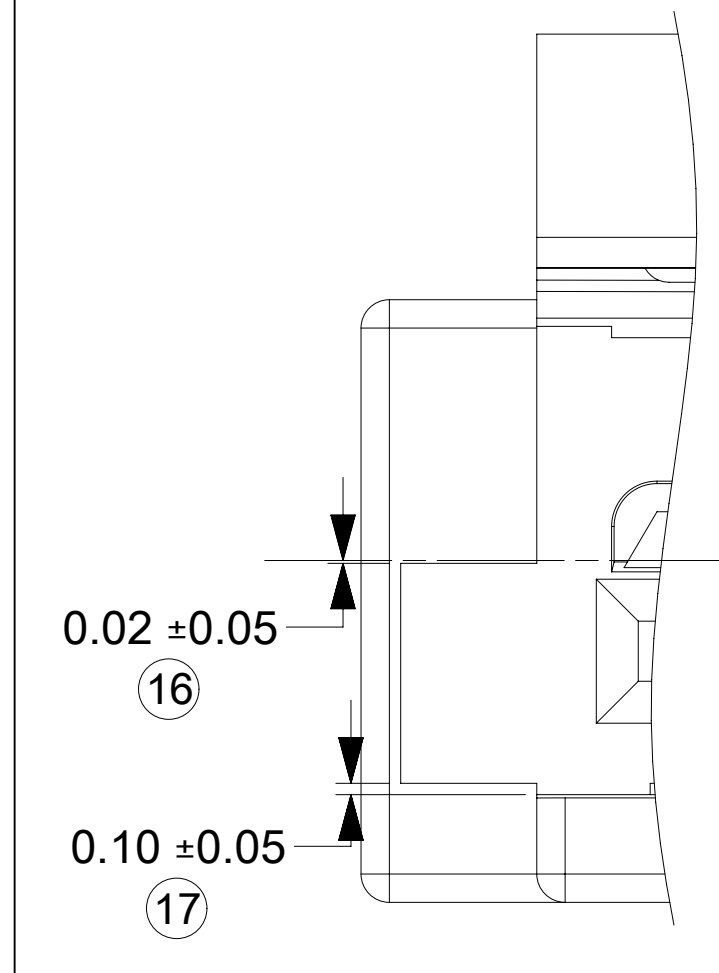
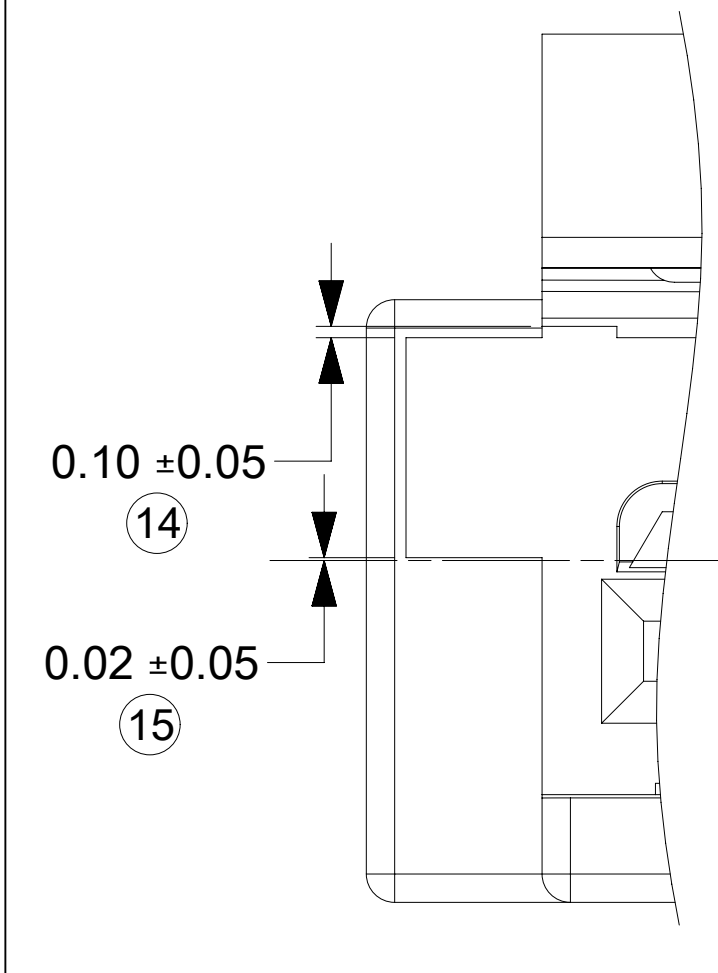
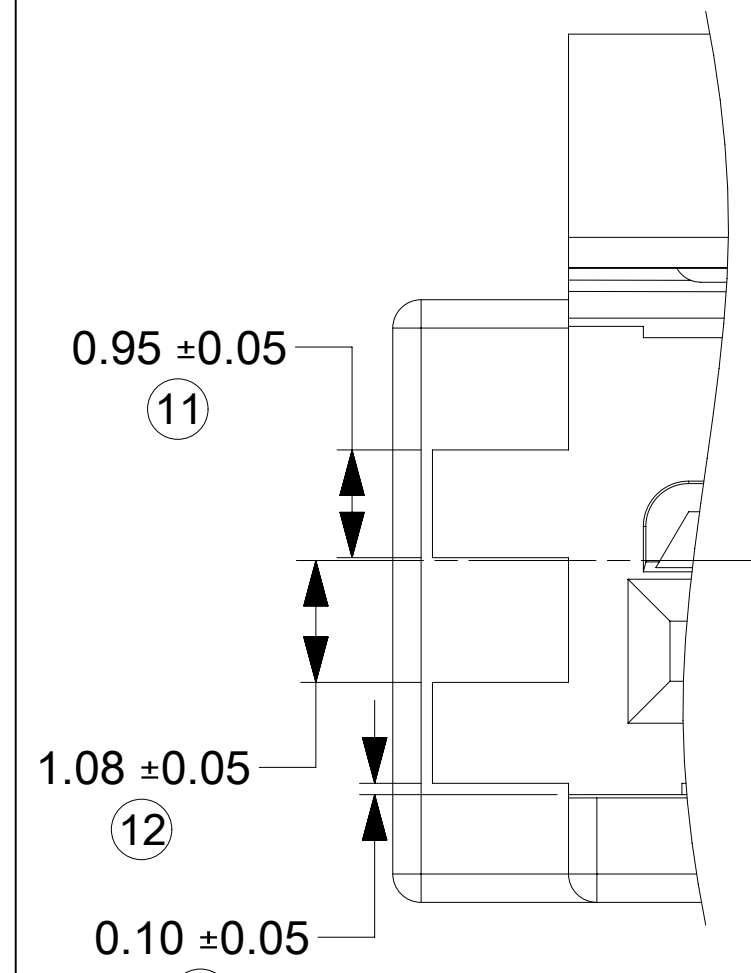
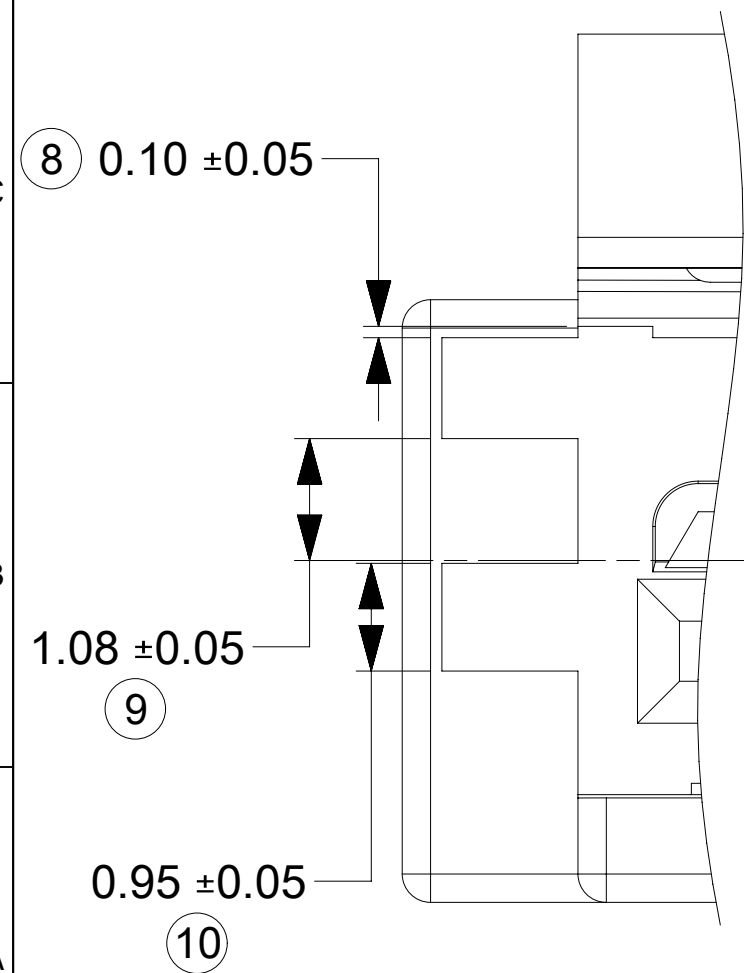
KEY A

KEY B

KEY C

KEY D

KEY Z



THIS DRAWING CONTAINS INFORMATION THAT IS PROPRIETARY TO MOLEX ELECTRONIC TECHNOLOGIES, LLC AND SHOULD NOT BE USED WITHOUT WRITTEN PERMISSION

DIMENSION UNITS: mm SCALE: 10:1

CURRENT REV DESC:

GENERAL TOLERANCES (UNLESS SPECIFIED)	
ANGULAR TOL	± °
4 PLACES	±
3 PLACES	±
2 PLACES	±
1 PLACE	±
0 PLACES	±

EC NO: 675374  
 DRWN: VBALASUBRAMA 2021/08/25  
 CHK'D: JDUNAJ 2021/08/26  
 APPR: JDUNAJ 2021/08/26  
 INITIAL REVISION:  
 DRWN: KHEWITT 2019/02/20  
 APPR: JDUNAJ 2019/06/12

**molex**

CONNTAK50 SR TNG RECEPTACLE SALES DWG

PRODUCT CUSTOMER DRAWING

DOCUMENT NUMBER	DOC TYPE	DOC PART	REVISION
2058270002	PSD	000	A3

DRAFT WHERE APPLICABLE MUST REMAIN WITHIN DIMENSIONS	THIRD ANGLE PROJECTION	DRAWING	SERIES	MATERIAL NUMBER	CUSTOMER	SHEET NUMBER
		D-SIZE	205827		GENERAL MARKET	2 OF 2