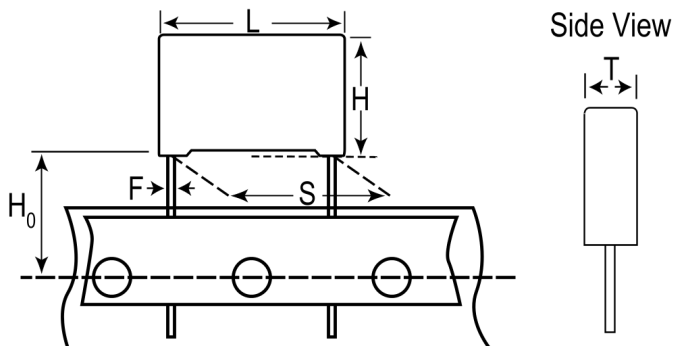


R76IN3270DQ30K

Aliases (76IN3270DQ30K)

R76, Film, Double Metallized Polypropylene, Automotive Grade, 0.27 uF, 10%, 250 VDC, 85°C, Lead Spacing = 22.5mm



Click [here](#) for the 3D model.

Dimensions

L	26.5mm +0.3/-0.5mm
H	15mm +0.1/-0.5mm
T	6mm +0.2/-0.5mm
S	22.5mm +/-0.4mm
H ₀	18.5mm +/-0.5mm
F	0.8mm +/-0.05mm

Packaging Specifications

Packaging	Ammo, 360x340x59mm, Box
Packaging Quantity	464

General Information

Series	R76
Dielectric	Double Metallized Polypropylene
Style	Radial
Features	Automotive Grade, Pulse
RoHS	Yes
Lead	Wire Leads
Qualifications	AEC-Q200
AEC-Q200	Yes

Specifications

Capacitance	0.27 uF
Capacitance Tolerance	10%
Voltage AC	180 VAC
Voltage DC	250 VDC
Temperature Range	-55/+110°C
Rated Temperature	85°C
Dissipation Factor	0.03% 1kHz, 0.06% 10kHz
Insulation Resistance	100 GOhms
Max dV/dt	300 V/us
Resistance	8.84 mOhms (100kHz)
Ripple Current	7.2 Amps (100kHz 85C), 81 Amps (Peak)
Inductance	16 nH